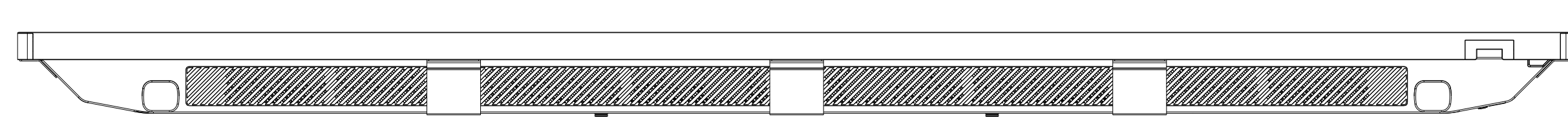
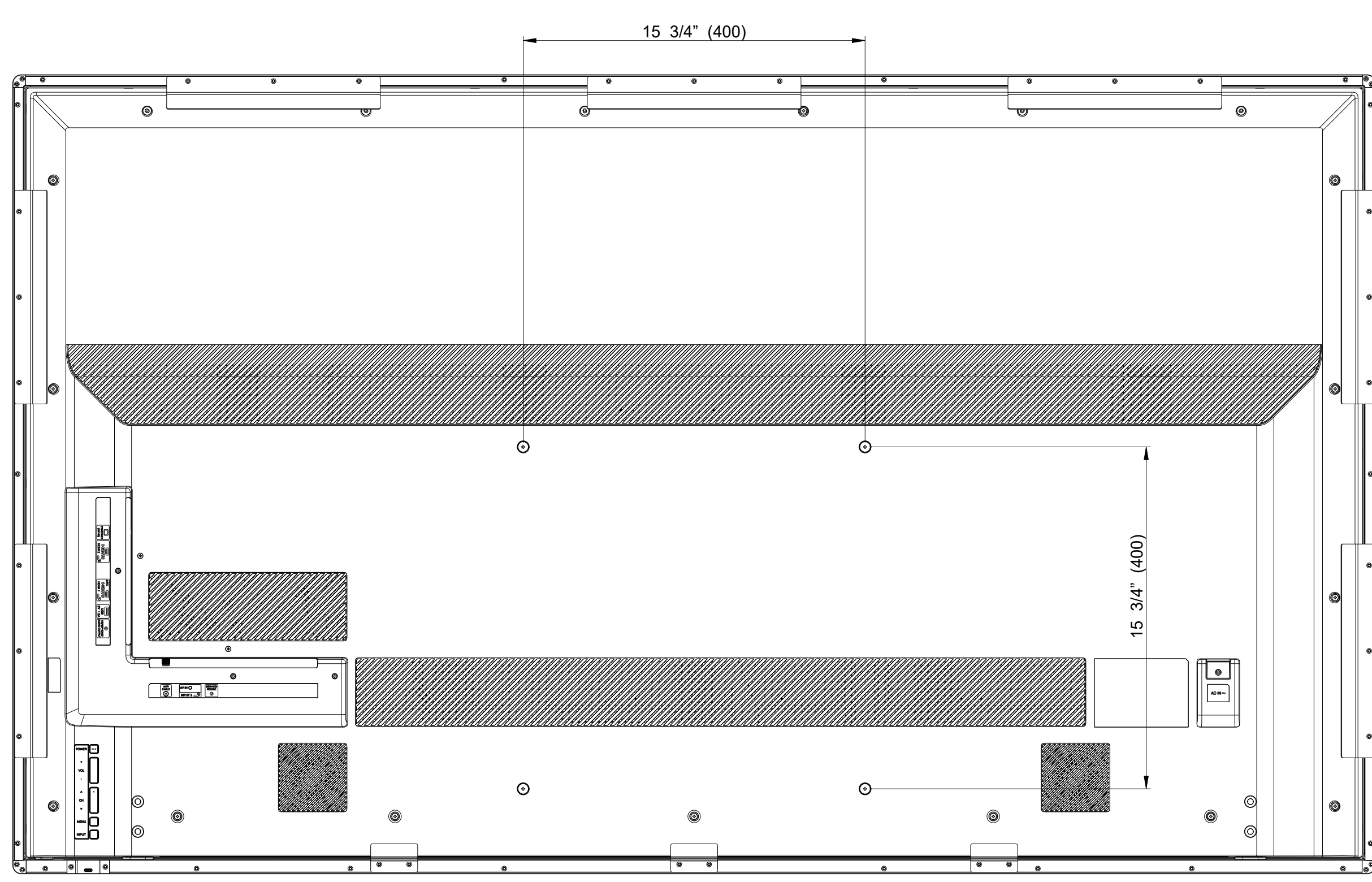
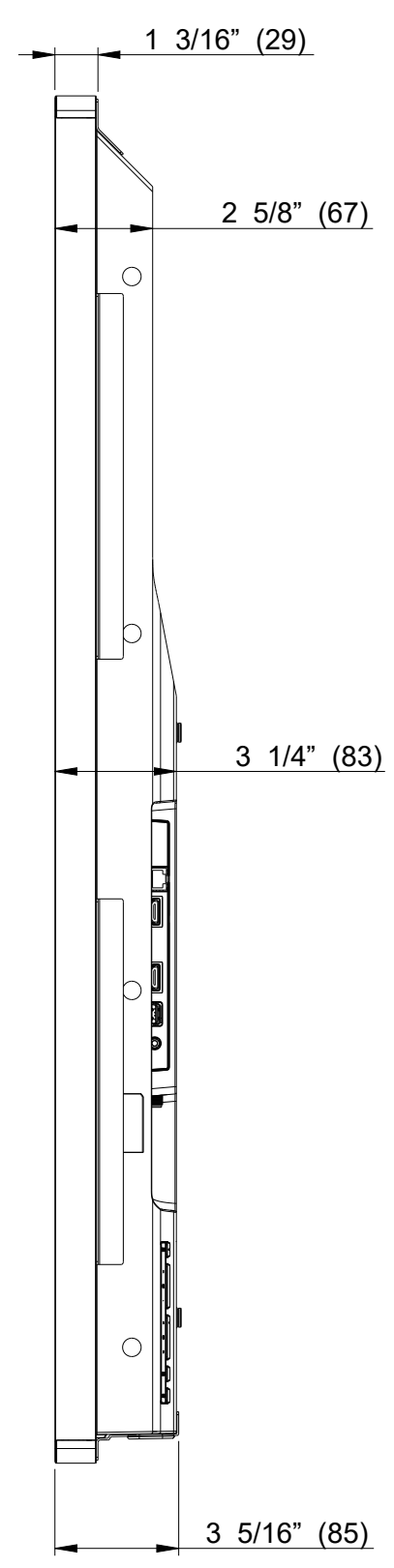
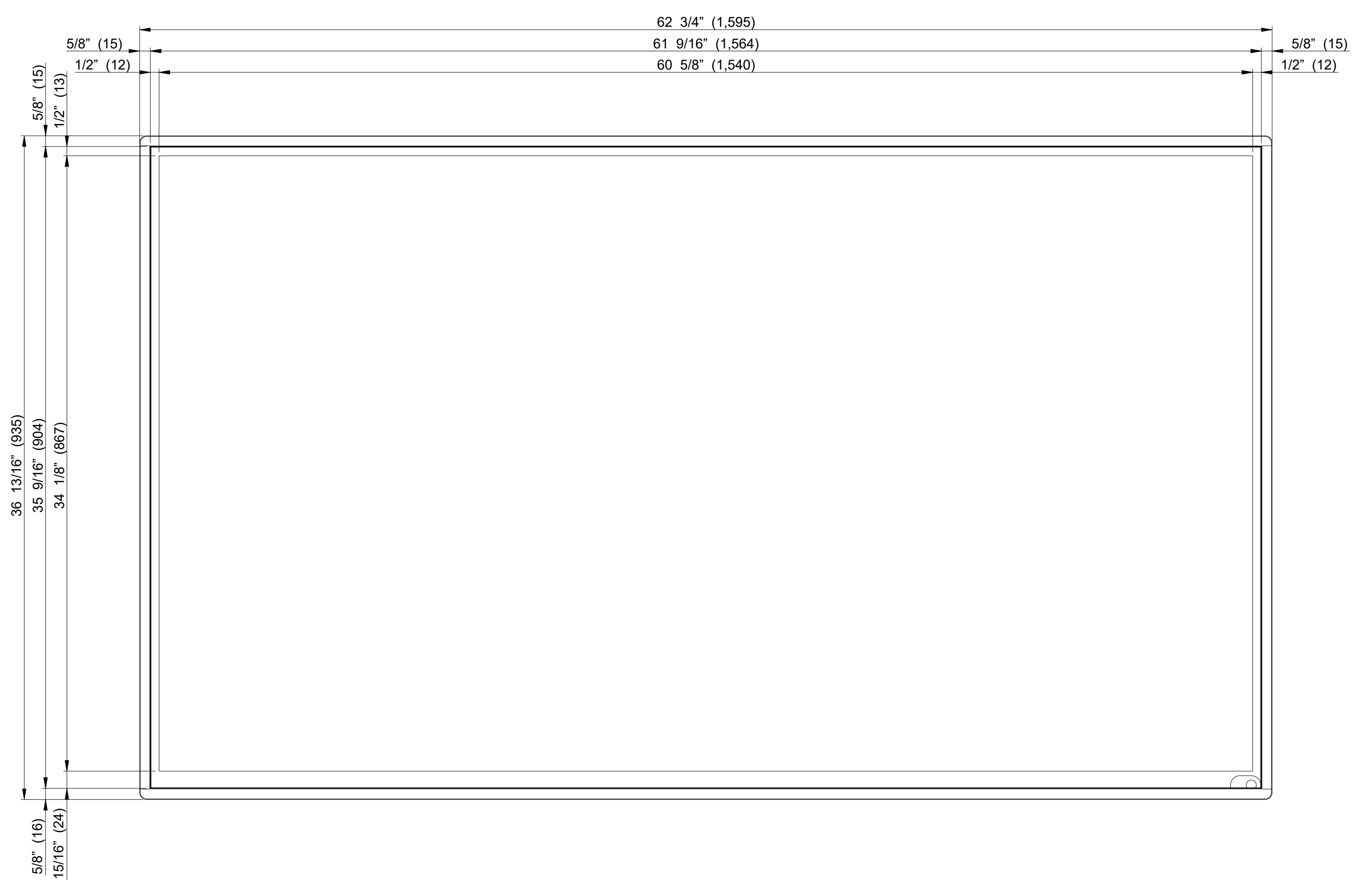
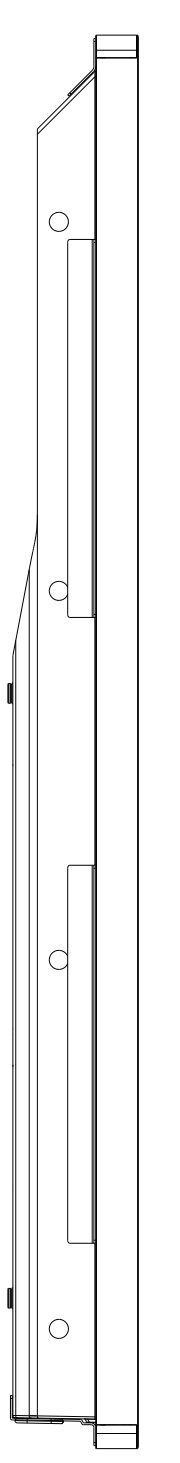
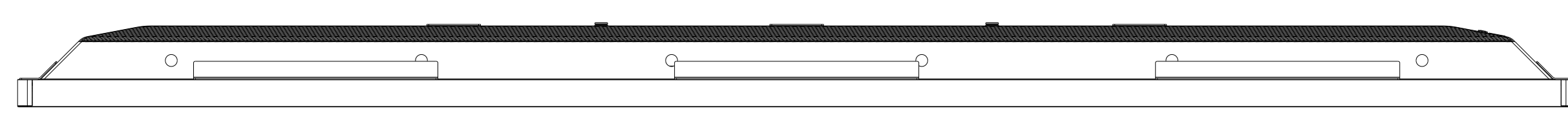


REVISIONS		
REV	DATE	DESCRIPTION
001	Nov-19-19	FIRST RELEASE
002		

Inch (mm)



GENERAL TOLERANCES	
UNLESS OTHERWISE SPECIFIED	±0.25 (0.010)
FINISH	AS MANUFACTURED
THREADS	PER ANSI B1.13
WELDING	PER AWS D1.1
SPRINGS	PER ASTM A228
PLASTIC DIMENSIONS	±0.15 (0.006)
PLASTIC TOLERANCES	±0.10 (0.004)
PLASTIC DIMENSIONS	±0.05 (0.002)
PLASTIC TOLERANCES	±0.02 (0.0008)

DESIGN	CHECK	APPROVAL	SCALE	DWG NO.	MATERIAL	MODEL NAME
NAME	MARCO FANG	NAME	NAME	SIZE	AD	FINISH
DATE	Nov-19-19	Nov-19-19	Nov-19-19	UNIT	mm	PART NO.
DATE			SHEET			PART VER.
DATE			SHEET			PART VER.



THIS DRAWING CONTAINS INFORMATION FROM AN INTELLECTUAL PROPERTY OF FOXCONN TECHNOLOGY CORPORATION IS THE PROPERTY OF FOXCONN TECHNOLOGY CORPORATION. ALL RIGHTS RESERVED.