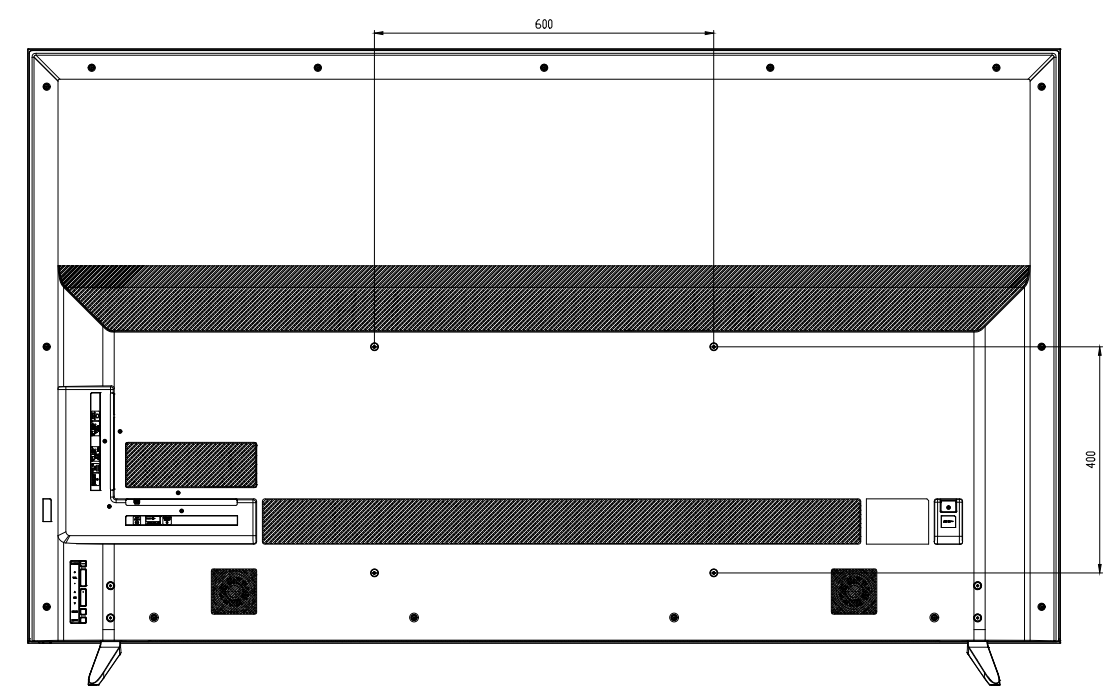
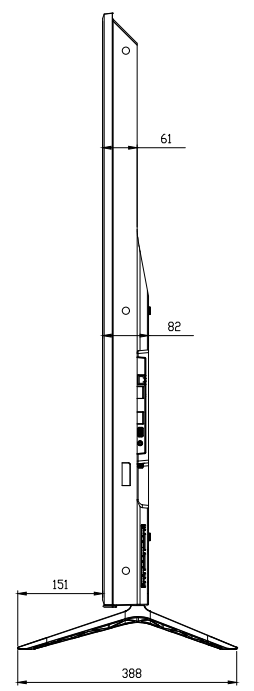
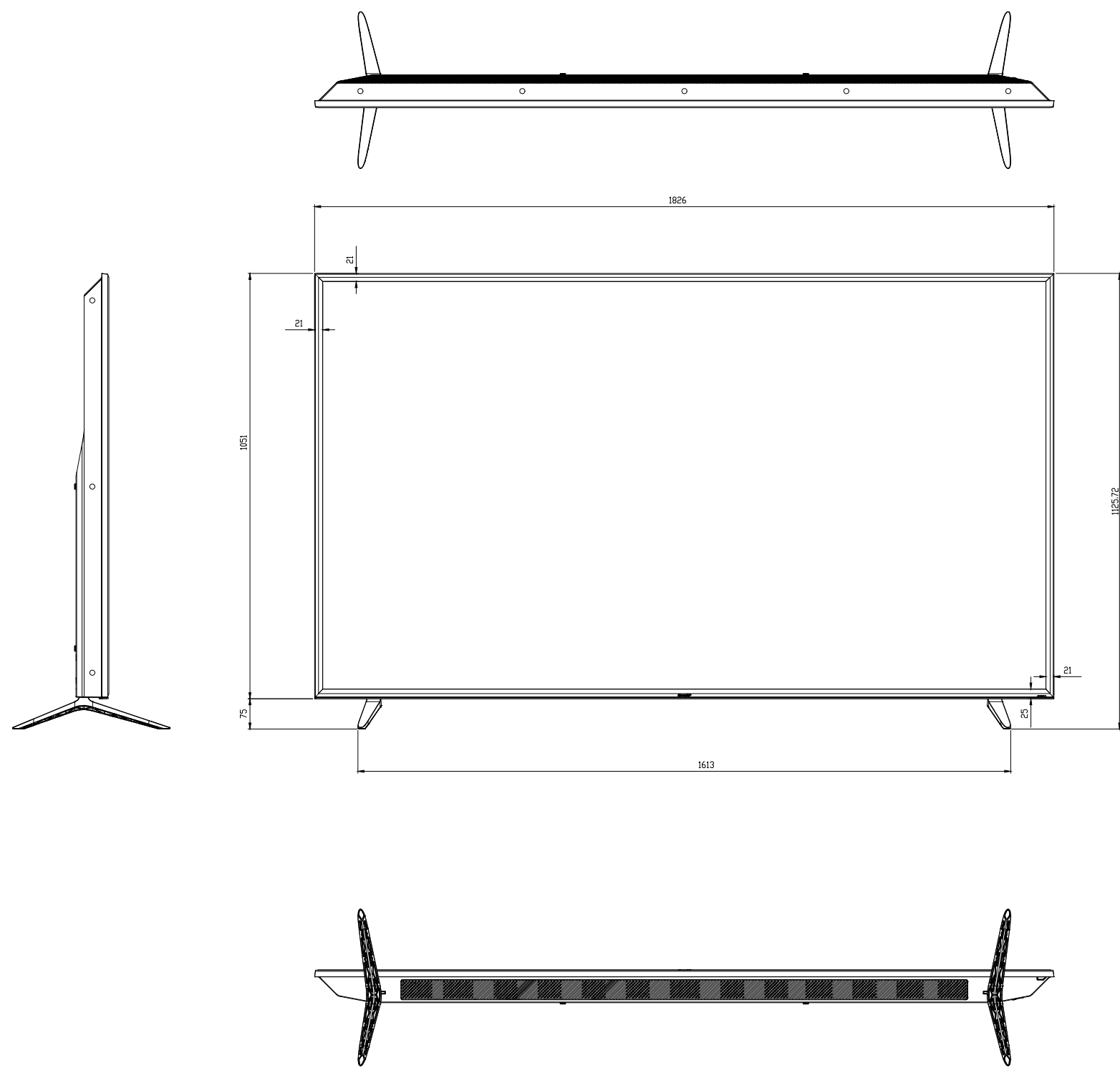


REV		REVISED	
NO.	DATE	DESCRIPTION	BY
01	Nov-19-19	FIRST RELEASE	N/A



GENERAL		REVISIONS	
NO.	DATE	DESCRIPTION	BY
01	Nov-19-19	FIRST RELEASE	N/A

DESIGN	CHECK	APPROVAL	SCALE	0.200	MATERIAL	MODEL NAME
NAME	MARCO FANG	NAME	SIZE	A0	FINISH	PART NAME
DATE	Nov-19-19	Nov-19-19	Nov-19-19	Nov-19-19	UNIT	mm
SHEET		1 OF 1		PART VER.		AA
SHEET		1 OF 1		PART VER.		AA
SHEET		1 OF 1		PART VER.		AA



THIS DRAWING CONTAINS INFORMATION THAT IS UNCLASSIFIED AND IS BEING RELEASED TO THE PUBLIC. FOR MORE INFORMATION, CONTACT THE NATIONAL ARCHIVES AT 8600 COLLETT DRIVE, COLLETTVILLE, VA 22922. (800) 541-8600