

SHARP®



7311-860E2U-230SRP11

4P-B43EJ2U

4P-B50EJ2U

4P-B55EJ2U

4P-B65EJ2U

4P-B75EJ2U

4P-B86EJ2U

4K ULTRA HD TV

TV 4K ULTRA HD

**Televisor de Pantalla Plana de Cristal Líquido (LCD)
con Iluminación de Diodo Emisor de Luz (LED)**

Setup Guide

Guide de configuration

Guía de Configuración



 **Dolby** Audio

HDMI™
HIGH-DEFINITION MULTIMEDIA INTERFACE

Solo para el mercado mexicano

DESCRIPCIÓN DEL PRODUCTO:

TELEVISOR DE PANTALLA PLANA DE CRISTAL LÍQUIDO (LCD) CON ILUMINACIÓN DE DIODO EMISOR DE LUZ (LED)

IMPORTADO POR:

SHARP CORPORATION MEXICO, S.A. DE C.V.

JAIME BALMES No 8 OFICINAS 803 Y 804


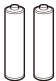
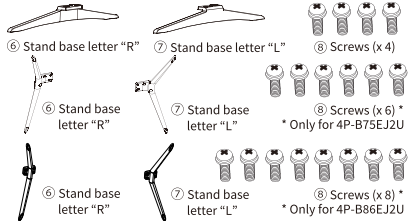

COL. LOS MORALES POLANCO, CIUDAD DE MÉXICO

C.P. 11510 TEL: 55 1500 1500

Lea este instructivo para conocer su uso correcto antes de la instalación y el uso.

Se recomienda mantener este instructivo debidamente para la verificación futura.

A. Supplied accessories

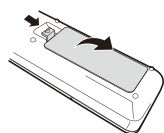
<p>① Remote control unit (x 1)</p> 	<p>② "AAA" size battery (x 2)</p> 	<p>③ Setup guide (this publication)</p> <p>⑤ Stand unit</p>  <p>⑥ Stand base letter "R" ⑦ Stand base letter "L" ⑧ Screws (x 4)</p> <p>⑥ Stand base letter "R" ⑦ Stand base letter "L" ⑧ Screws (x 6) * * Only for 4P-B75EJ2U</p> <p>⑥ Stand base letter "R" ⑦ Stand base letter "L" ⑧ Screws (x 8) * * Only for 4P-B86EJ2U</p>
<p>④ RS-232C conversion cable (3.5 mm-diameter mini stereo jack)</p> 		

	A	①	②	③
FR	Accessoires fournies	Télécommande	Pile format « AAA »	Setup by configuration (ce document)
ES	Accesorios suministrados	Control remoto	Batería de tamaño "AAA"	Guía de instalación (esta publicación)

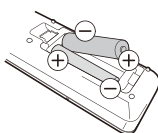
	④
FR	Câble de conversion RS-232C (mini-jack stéréo de 3,5 mm de diamètre)
ES	Cable de conversión RS-232C (miniclavija estéreo de 3,5 mm de diámetro)

	⑤	⑥	⑦	⑧	
FR	Ensemble du socle	Socle de stand avec lettre «R»	Socle de stand avec lettre «L»	Vis (x 4) / (x 6) * * Pour 4P-B75EJ2U seulement	Vis (x 8) * * Pour 4P-B86EJ2U seulement
ES	Unidad de soporte	Base con letra "R"	Base con letra "L"	Tornillos (x 4) / (x 6) * * Solo para 4P-B75EJ2U	Tornillos (x 8) * * Solo para 4P-B86EJ2U

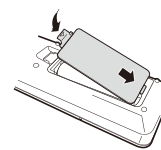
B. Inserting the batteries



① Remote control unit



② Place batteries with their terminals corresponding to the ⊕ and ⊖ indications in the battery compartment.

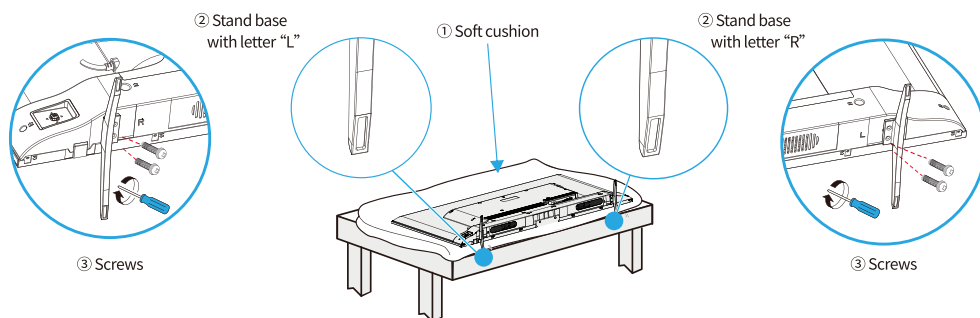


③ Place battery cover

	B	①	②	③
FR	Insertion des piles	Télécommande	Placez les piles en suivant les indications ⊕ et ⊖ relatives aux bornes dans le compartiment des piles.	Placez couvercle de la batterie
ES	Colocación de las baterías	Control remoto	Coloque las baterías con los terminales siguiendo las indicaciones ⊕ y ⊖ en el compartimento de las baterías.	Coloque la tapa de las baterías.

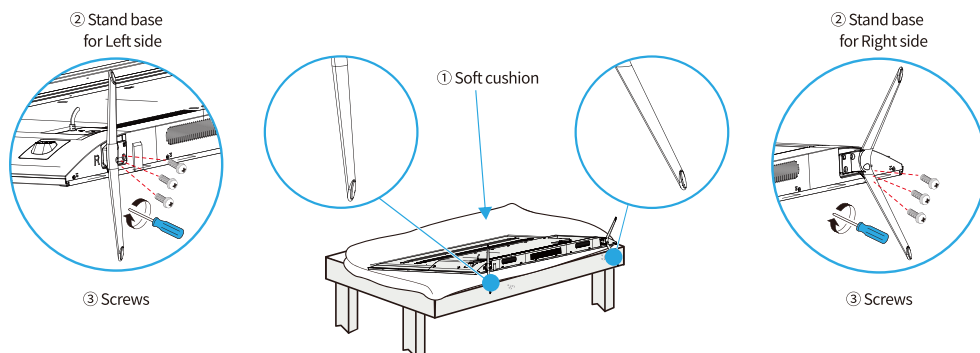
C. Attaching the stand

4P-B43EJ2U, 4P-B50EJ2U, 4P-B55EJ2U, 4P-B65EJ2U



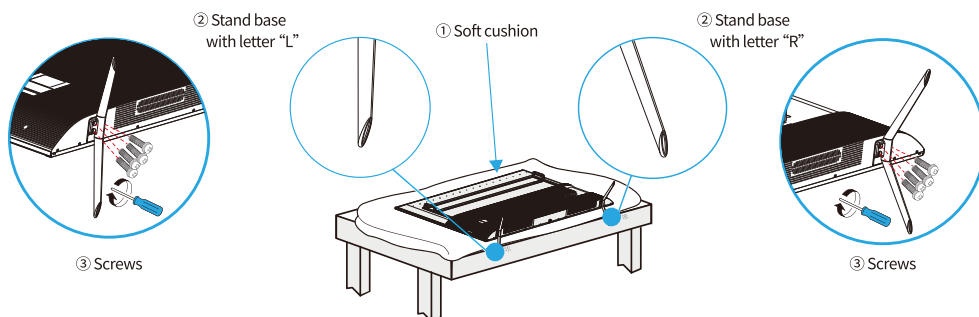
	C	①	②	③
FR	Fixation du socle	Coussin moelleux	Tenez la base avec la lettre « R » Tenez la base avec la lettre « L »	Vis
ES	Uniendo la base	Cojín suave	Sostenga la base con la letra "R" Sostenga la base con la letra "L"	Tornillos

4P-B75EJ2U



	C	①	②	③
FR	Fixation du socle	Coussin moelleux	Base de support pour le côté gauche Base de support pour le côté droit	Vis
ES	Uniendo la base	Cojín suave	Base de soporte para el lado izquierdo Base de soporte para el lado derecho	Tornillos

4P-B86EJ2U



	C	①	②	③
FR	Fixation du socle	Coussin moelleux	Tenez la base avec la lettre « R » Tenez la base avec la lettre « L »	Vis
ES	Uniendo la base	Cojín suave	Sostenga la base con la letra "R" Sostenga la base con la letra "L"	Tornillos

Note: There are no mark such "L" and "R" in stands for 4P-B75EJ2U. But these are made which are prevent to attach reverse.

Remarque : Il n'y a pas de marque telle que "L" et "R" pour 4P-B75EJ2U. Mais ceux-ci sont faits qui empêchent d'attacher l'inverse.

Nota: No hay marcas como "L" y "R" en los soportes para 4P-B75EJ2U. Pero estos están hechos para evitar que se coloquen al revés.

ENGLISH

Important Information

IMPORTANT:

To aid reporting in case of loss or theft, please record the TV's model and serial numbers in the space provided. The numbers are located at the rear and left side of the TV.

Model No.:

Serial No.:

WARNING: TO REDUCE THE RISK OF FIRE OR ELECTRIC SHOCK, DO NOT EXPOSE THIS PRODUCT TO RAIN OR MOISTURE.



CAUTION
RISK OF ELECTRIC SHOCK
DO NOT OPEN



CAUTION: TO REDUCE THE RISK OF ELECTRIC SHOCK, DO NOT REMOVE THE REAR COVER. IT DOES NOT CONTAIN SPARE PARTS INSIDE IT. CONTACT QUALIFIED SERVICE PERSONNEL.



The lightning flash with arrow-head symbol, within an equilateral triangle, is intended to alert the user to the presence of uninsulated "dangerous voltage" within the product's enclosure that may be of sufficient magnitude to constitute a risk of electric shock to persons.



The exclamation point within a triangle is intended to alert the user to the presence of important operating and maintenance (servicing) instructions in the literature accompanying the product.

CAUTION: TO PREVENT ELECTRIC SHOCK, MATCH WIDE BLADE OF PLUG TO WIDE SLOT, FULLY INSERT.

WARNING: FCC Regulations state that any unauthorized changes or modifications to this equipment not expressly approved by the manufacturer could void the user's authority to operate this equipment.

CAUTION: This product satisfies FCC regulations when shielded cables and connectors are used to connect the unit to other equipment. To prevent electromagnetic interference with electric appliances such as radios and televisions, use shielded cables and connectors for connections.

WARNING: Batteries shall not be exposed to excessive heat sources such as sunlight, or any heat emitting devices.

WARNING: To prevent injury, this apparatus must be securely attached to the floor/wall in accordance with the installation instructions.

Dear SHARP Customer

Thank you for your purchase of the Sharp LCD TV. To ensure safety and many years of trouble-free operation of your product, please read the Important Safety Instructions carefully before using this product.

Important Safety Instructions

Electricity is used to perform many useful functions, but it can also cause personal injuries and property damage if improperly handled. This product has been engineered and manufactured with the highest priority on safety. However, improper use can result in electric shock and/or fire. In order to prevent potential danger, please observe the following instructions when installing, operating and cleaning the product. To ensure your safety and prolong the service life of your LCD TV, please read the following precautions carefully before using the product.

- 1) Read these instructions.
- 2) Keep these instructions.
- 3) Heed all warnings.
- 4) Follow all instructions.
- 5) Do not use this apparatus near water.
- 6) Clean only with dry cloth.
- 7) Do not block any ventilation openings. Install in accordance with the manufacturer's instructions.
- 8) Do not install near any heat sources such as radiators, heat registers, stoves, or other apparatus (including amplifiers) that produce heat.
- 9) Do not defeat the safety purpose of the polarized or grounding-type plug. A polarized plug has two blades with one wider than the other. A grounding type plug has two blades and a third grounding prong. The wide blade or the third prong are provided for your safety. If the provided plug does not fit into your outlet, consult an electrician for replacement of the obsolete outlet.
- 10) Protect the power cord from being walked on or pinched particularly at plugs, convenience receptacles, and the point where they exit from the apparatus.
- 11) Only use attachments/accessories specified by the manufacturer.
- 12) Use only with the cart, stand, tripod, bracket, or table specified by the manufacturer, or sold with the apparatus. When a cart is used, use caution when moving the cart/apparatus combination to avoid injury from tip-over.
- 13) Unplug this apparatus during lightning storms or when unused for long periods of time.
- 14) Refer all servicing to qualified service personnel. Servicing is required when the apparatus has been damaged in any way, such as power-supply cord or plug is damaged, liquid has been spilled or objects have fallen into the apparatus, the apparatus has been exposed to rain or moisture, does not operate normally, or has been dropped.



Additional Safety Information

- 15) Power Sources—This product should be operated only from the type of power source indicated on the marking label. If you are not sure of the type of power supply to your home, consult your product dealer or local power company. For products intended to operate from battery power, or other sources, refer to the operating instructions.
- 16) Overloading—Do not overload wall outlets, extension cords, or integral convenience receptacles as this can result in a risk of fire or electric shock.
- 17) Object and Liquid Entry—Never push objects of any kind into this product through openings as they may touch dangerous voltage points or short-out parts that could result in a fire or electric shock. Never spill liquid of any kind on the product.
- 18) Damage Requiring Service—Unplug this product from the wall outlet and refer servicing to qualified service personnel under the following conditions:
 - a) When the AC cord or plug is damaged,
 - b) If liquid has been spilled, or objects have fallen into the product,
 - c) If the product has been exposed to rain or water,
 - d) If the product does not operate normally by following the operating instructions.Adjust only those controls that are covered by the operating instructions as an improper adjustment of other controls may result in damage and will often require extensive work by a qualified technician to restore the product to its normal operation,
 - e) If the product has been dropped or damaged in any way, and
 - f) When the product exhibits a distinct change in performance - this indicates a need for service.
- 19) Replacement Parts—When replacement parts are required, be sure the service technician has used replacement parts specified by the manufacturer or have the same characteristics as the original part. Unauthorized substitutions may result in fire, electric shock, or other hazards.
- 20) Safety Check—Upon completion of any service or repairs to this product, ask the service technician to perform safety checks to determine that the product is in proper operating condition.
- 21) Wall or ceiling mounting—When mounting the product on a wall or ceiling, be sure to install the product according to the method recommended by the manufacturer.

Important Safety Instructions

WARNING - Stability Hazard

A television may fall causing serious personal injury or death. Many injuries, particularly to children, can be avoided by taking simple precautions such as:

- ALWAYS use cabinets or stands or mounting method recommended by the manufacturer of the television.
- ALWAYS use furniture that can safely support the television.
- ALWAYS ensure the television is not overhanging the edge of supporting furniture.
- ALWAYS educate children about the dangers of climbing on furniture to reach the television or its controls.
- ALWAYS route cords and cables connected to your television so they cannot be tripped over, pulled or grabbed.
- NEVER place the television in an unstable location.
- NEVER place a television on tall furniture (for example, cupboards or bookcases) without anchoring both the furniture and the television to a suitable support.
- NEVER place the television on cloth or other materials that may be located between the television and supporting furniture.
- NEVER place items that might tempt children to climb, such as toys and remote controls, on the top of the television or furniture on which the television is placed.

If the existing television set is going to be retained and relocated, the same considerations as above should be applied.

CAUTION

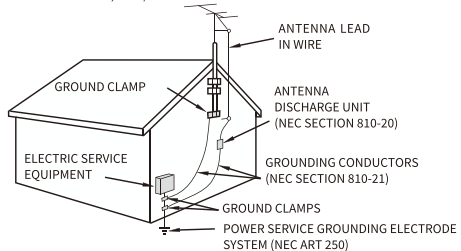
- Replacement of a battery with an incorrect type that can defeat a safeguard (for example, in the case of some lithium battery types);
- Disposal of a battery into fire or a hot oven, or mechanically crushing or cutting of a battery, that can result in an explosion;
- Leaving a battery in an extremely high temperature surrounding environment that can result in an explosion or the leakage of flammable liquid or gas;
- A battery subjected to extremely low air pressure that may result in an explosion or the leakage of flammable liquid or gas.
- Risk of fire or explosion if the battery is replaced by an incorrect type.

Important Safety Instructions

- **Outdoor Antenna Grounding** — If an outside antenna is connected to the television equipment, be sure the antenna system is grounded so as to provide some protection against voltage surges and built-up static charges.

Article 810 of the National Electrical Code, ANSI/NFPA 70, provides information with regard to proper grounding of the mast and supporting structure, grounding of the lead-in wire to an antenna discharge unit, size of grounding conductors, location of antenna-discharge unit, connection to grounding electrodes, and requirements for the grounding electrode.

EXAMPLE OF ANTENNA GROUNDING AS PER NATIONAL ELECTRICAL CODE, ANSI/NFPA 70

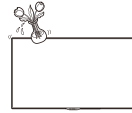


NEC — NATIONAL ELECTRICAL CODE

- **Water and Moisture** — Do not use this product near water - for example, near a bath tub, wash bowl, kitchen sink, or laundry tub; in a wet basement; or near a swimming pool; and the like.
- **Stand** — Do not place the product on an unstable cart, stand, tripod or table. Placing the product on an unstable base can cause the product to fall, resulting in serious personal injuries as well as damage to the product. Use only a cart, stand, tripod, bracket or table recommended by the manufacturer or sold with the product. When mounting the product on a wall, be sure to follow the manufacturer's instructions. Use only the mounting hardware recommended by the manufacturer.
- **Selecting the location** — Select a place with no direct sunlight and good ventilation.
- **Ventilation** — The vents and other openings in the cabinet are designed for ventilation. Do not cover or block these vents and openings since insufficient ventilation can cause overheating and/or shorten the life of the product. Do not place the product on a bed, sofa, rug or other similar surface, since they can block ventilation openings. This product is not designed for built-in installation; do not place the product in an enclosed place such as a bookcase or rack, unless proper ventilation is provided or the manufacturer's instructions are followed.
- **The front panel used in this product is made of glass.** Therefore, it can break when the product is dropped or applied with impact. Be careful not to be injured by broken glass pieces in case the panel breaks.
- **Heat** — The product should be situated away from heat sources such as radiators, heat registers, stoves, or other products (including amplifiers) that produce heat.
- **The Liquid Crystal panel is a very high technology product with 8,294,400 pixels, giving you fine picture details.** Occasionally, a few non-active pixels may appear on the screen as a fixed point of blue, green or red. Please note that this does not affect the performance of your product.
- **Lightning** — For added protection for this television equipment during a lightning storm, or when it is left unattended and unused for long periods of time, unplug it from the wall outlet and disconnect the antenna. This will prevent damage to the equipment due to lightning and power-line surges.
- **Power Lines** — An outside antenna system should not be located in the vicinity of overhead power lines or other electric light or power circuits, or where it can fall into such power lines or circuits. When installing an outside antenna system, extreme care should be taken to keep from touching such power lines or circuits as contact with them might be fatal.
- To prevent fire, never place any type of candle or flames on the top or near the TV set.
- To prevent fire or shock hazard, do not place the AC cord under the TV set or other heavy items.

Important Safety Instructions

- Do not display a still picture for a long time, as this could cause an afterimage to remain.
- To prevent fire or shock hazard, do not expose this product to dripping or splashing. No objects filled with liquids, such as vases, should be placed on the product.
- Do not insert foreign objects into the product. Inserting objects in the air vents or other openings may result in fire or electric shock. Exercise special caution when using the product around children.



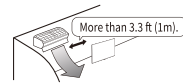
Precautions when transporting the TV (For SHARP dealer and service engineers)

- When transporting the TV, never carry it by holding or otherwise putting pressure onto the display. Be sure to always carry the TV by four people.



Do not install the TV in a location in which it will be subject to water drops such as underneath an air conditioning unit or in the vicinity of a humidifier.

- Water drops falling onto the TV and water entering inside it may result in fire, electric shock, or malfunctions.
- We recommend that you install the TV at least 3.3 ft (1m) away from the outlet of an air conditioner.



Caring for the cabinet

- Use a soft cloth (cotton, flannel, etc.) and gently wipe the surface of the cabinet.
- Using a chemical cloth (wet/dry sheet type cloth, etc.) may deform the components of the main unit cabinet or cause cracking.
- Wiping with a hard cloth or using strong force may scratch the surface of the cabinet.
- If the cabinet is very dirty, wipe with a soft cloth (cotton, flannel, etc.) soaked in neutral detergent diluted with water and thoroughly wrung out, and then wipe with a soft dry cloth.
- Avoid using benzene, thinner, and other solvents, as these may deform the cabinet and cause the paint to peel off.
- Do not apply insecticides or other volatile liquids.

Also, do not allow the cabinet to remain in contact with rubber or vinyl products for a long period of time. Plasticizers inside the plastic may cause the cabinet to deform and cause the paint to peel off.

Caring for the front panel

- Turn off the main power and unplug the AC cord from the wall outlet before handling.
- Gently wipe the surface of the front panel with a soft cloth (cotton, flannel, etc.).
- To protect the front panel, do not use a dirty cloth, liquid cleaners, or a chemical cloth (wet/dry sheet type cloth, etc.). This may damage the surface of the front panel.
- Wiping with a hard cloth or using strong force may scratch the surface of the front panel.
- Use a soft damp cloth to gently wipe the front panel when it is really dirty. (It may scratch the surface of the front panel when wiped strongly.)
- If the front panel is dusty, use an anti-static brush, which is commercially available, to clean it.
- To avoid scratching the frame or screen, please use a soft, lint free cloth for cleaning. Approved cleaning cloths are available directly from Sharp in single (00Z-LCD-CLOTH) or triple (00Z-LCD-CLOTH-3) packs. Call 1-877-PRO-ADV1 (1-877-776-2381) for ordering, or VISIT <http://www.sharpusa.com>.



Especially for child safety

- Don't allow children to climb on or play with the TV.
- Don't place the TV on furniture that can easily be used as steps, such as a chest of drawers.
- Remember that children can become excited while watching a program, especially on a "larger than life" TV. Care should be taken to place or install the TV where it cannot be pushed, pulled over, or knocked down.
- Care should be taken to route all cords and cables connected to the TV so that they cannot be pulled or grabbed by curious children.

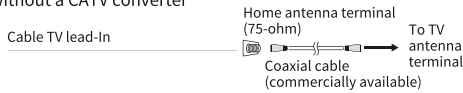
Initial Installation

Follow the steps below one by one when using the TV for the first time. Some steps may not be necessary depending on your TV installation and connection.

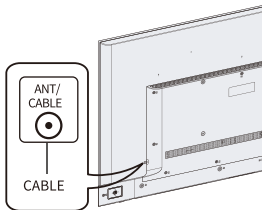
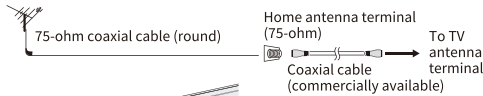
Connecting antenna cable

1 Connect an antenna cable to the antenna terminal.

① Cable without a CATV converter

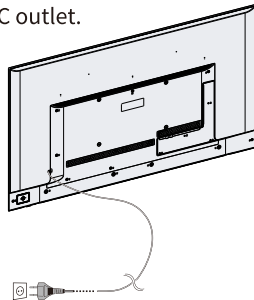


② VHF/UHF antenna



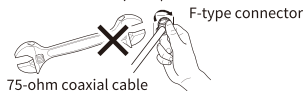
- Connect the antenna cable to the TV using one of the methods in the illustration as shown (① or ②)

2 Plug the AC cord into the AC outlet.



NOTICE F-type connector should be fingertightened only.

When connecting the RF cable to the TV set, do not tighten F-type connector with tools. If tools are used, it may cause damage to your TV set (The breaking of internal circuit, etc.)

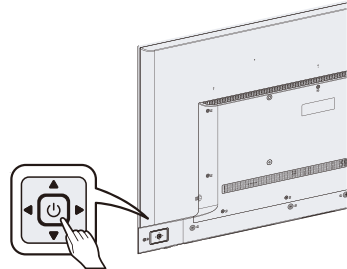


- Place the TV close to the AC outlet, and keep the power plug within reach.

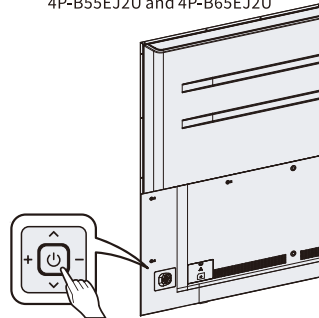
CAUTION

TO PREVENT RISK OF ELECTRIC SHOCK, DO NOT TOUCH UN-INSULATED PARTS OF ANY CABLES WITH THE AC CORD CONNECTED.

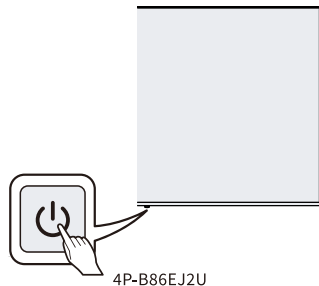
3 Press POWER on the TV.



4P-B43EJ2U, 4P-B50EJ2U, 4P-B55EJ2U and 4P-B65EJ2U



4P-B75EJ2U



4P-B86EJ2U

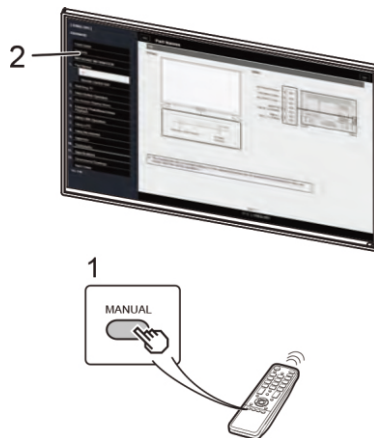
4 Run the initial installation.

- Use the remote control to make selections.

- Language setting
- Time Zone
- Firmware update notice
- Network
- Tuner Mode
- Channel Scan

Viewing the Built-in Operation Manual

Press **MANUAL** on the remote control unit to display operation information on the screen. To search for an item from the table of contents, move the onscreen cursor using the remote control **▲/▼/◀/▶** over to the information you wish to view and press **enter**.



- 1 Press **MANUAL** while watching the TV.
This displays the built-in operation manual screen.
- 2 When you select content, its page will be displayed.
- 3 Press **>** or **<** to view the next or previous page.

NOTE

- You can also display the built-in operation manual by selecting “Information” > “Manual” from the menu screen.
- When USB mode, Home Network mode, or Internet application is used, the built-in operation manual cannot be displayed.

Troubleshooting

The problems described below are not always caused by malfunctions. Check the TV again before having the TV serviced.

Problem	Possible Solution
<ul style="list-style-type: none"> • No power. 	<ul style="list-style-type: none"> • Check if you pressed POWER on the remote control unit. • Is the AC cord disconnected? • Has the power been turned on?
<ul style="list-style-type: none"> • Remote control unit does not operate. 	<ul style="list-style-type: none"> • Are batteries inserted with polarity (+, -) aligned? • Is the IR extender plugged into Rs232?
<ul style="list-style-type: none"> • No picture. 	<ul style="list-style-type: none"> • Is connection to other components correct?
<ul style="list-style-type: none"> • No sound. 	<ul style="list-style-type: none"> • Is connection to other components correct?

Default Parental Password

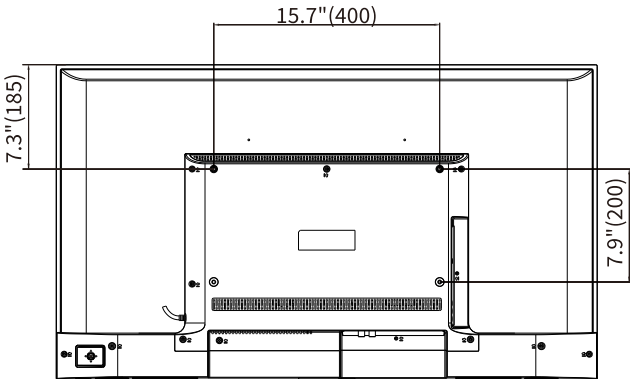
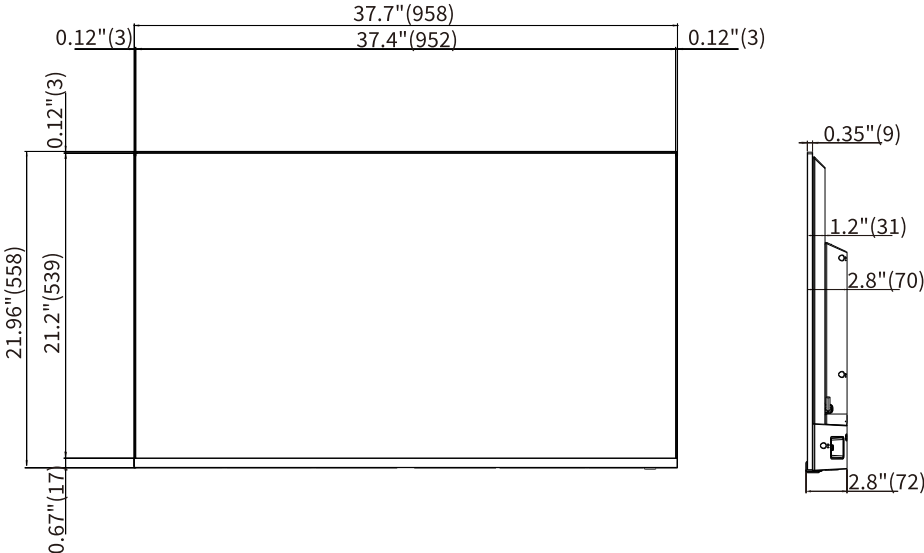
This display has a default parental password in place. Please change it if you will be using this function.

- 1 Press **MENU** to display the **MENU** screen, and press **▲/▼** to select “Parental”.
- 2 Press **ENTER** and the password input screen display.
- 3 If you enter “1234” using **0-9**, the “Parental” setting menu will be displayed.
- 4 Press **▲/▼** to select “Change password”, and then press **ENTER** to set the password.
- 5 Enter the 4-digit number as a password using **0-9**, and then enter the same 4-digit to confirm.
The new password is now set.

Dimensional Drawing

4P-B43EJ2U

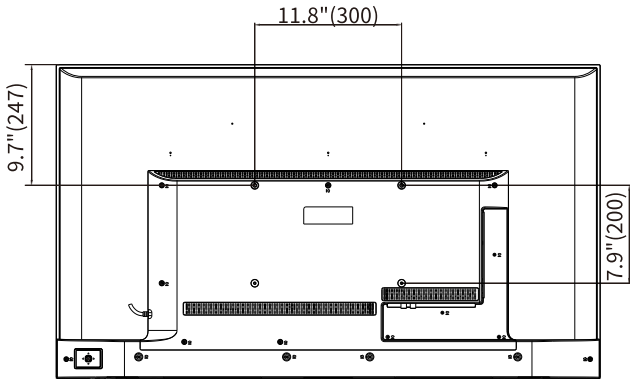
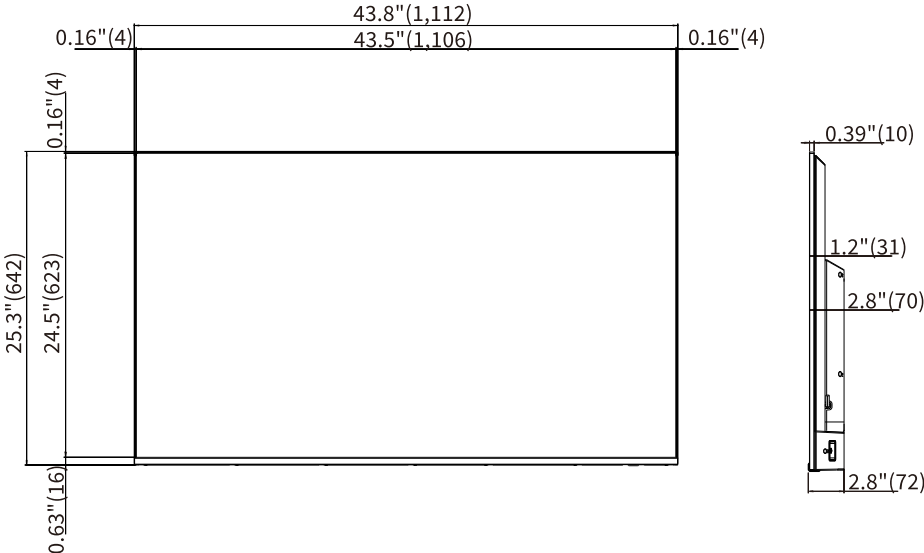
Unit : inch (mm)



Dimensional Drawing

4P-B50EJ2U

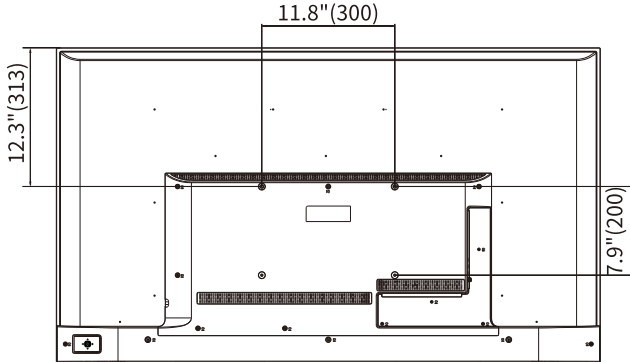
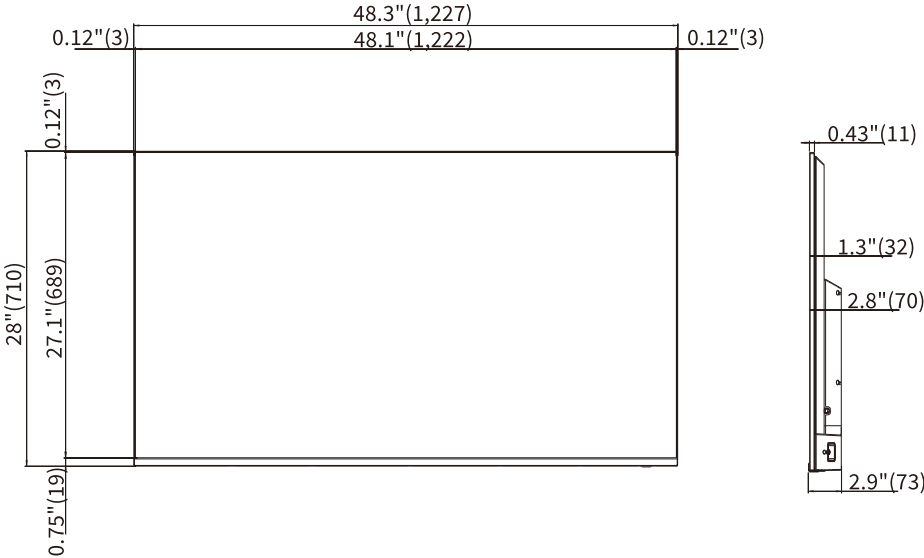
Unit : inch (mm)



Dimensional Drawing

4P-B55EJ2U

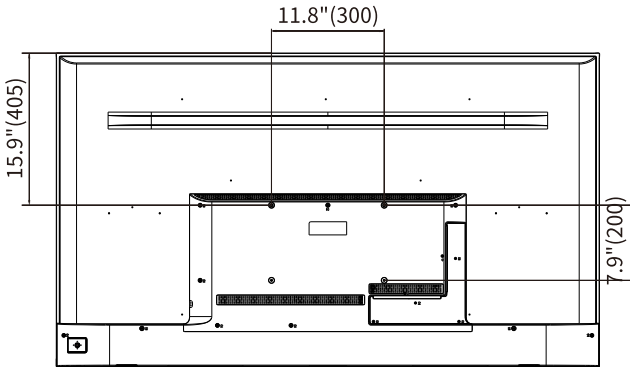
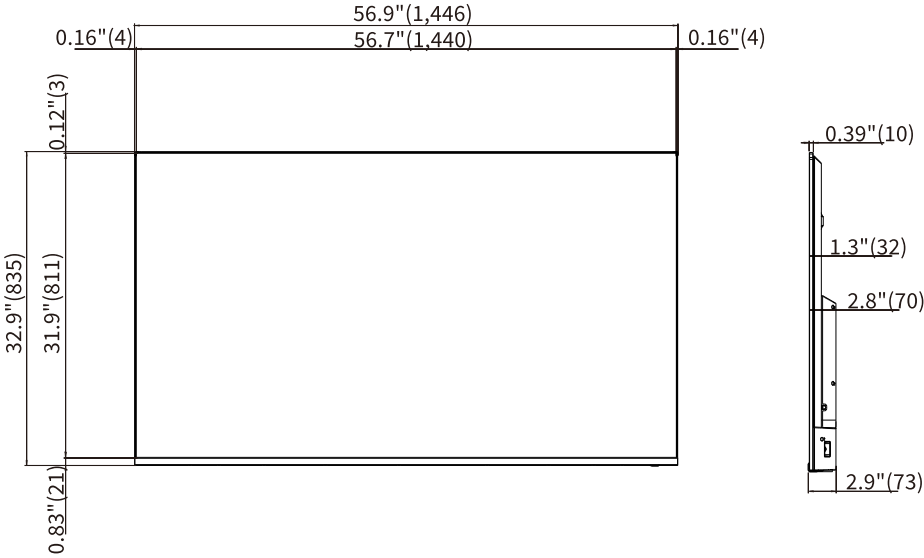
Unit : inch (mm)



Dimensional Drawing

4P-B65EJ2U

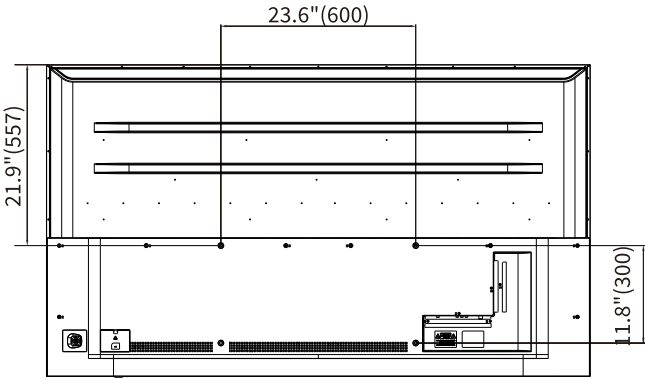
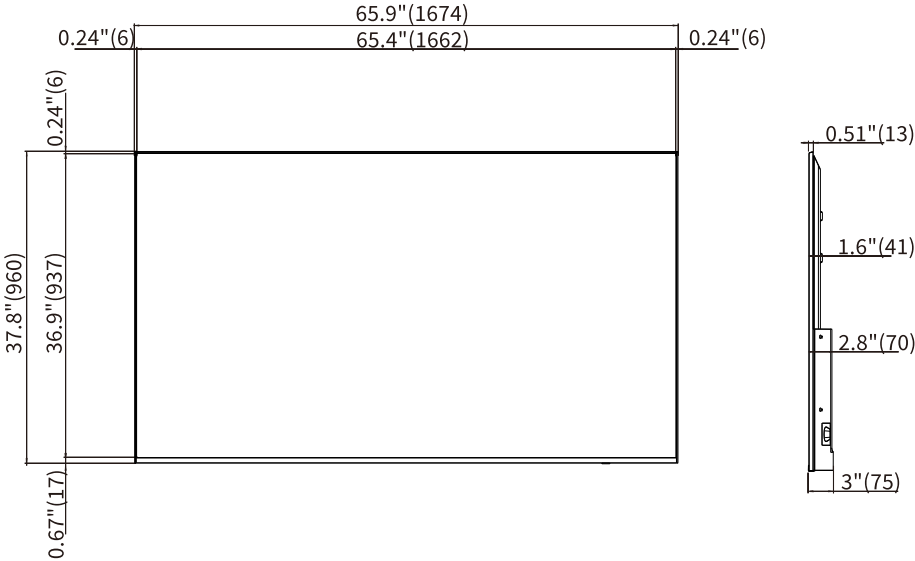
Unit : inch (mm)



Dimensional Drawing

4P-B75EJ2U

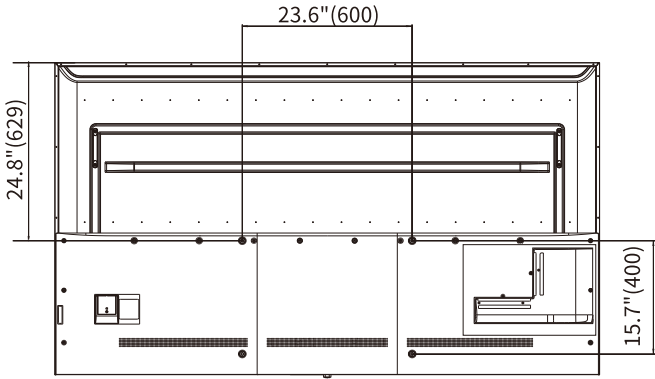
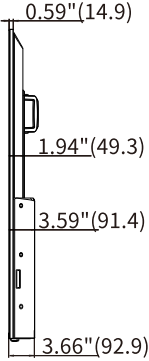
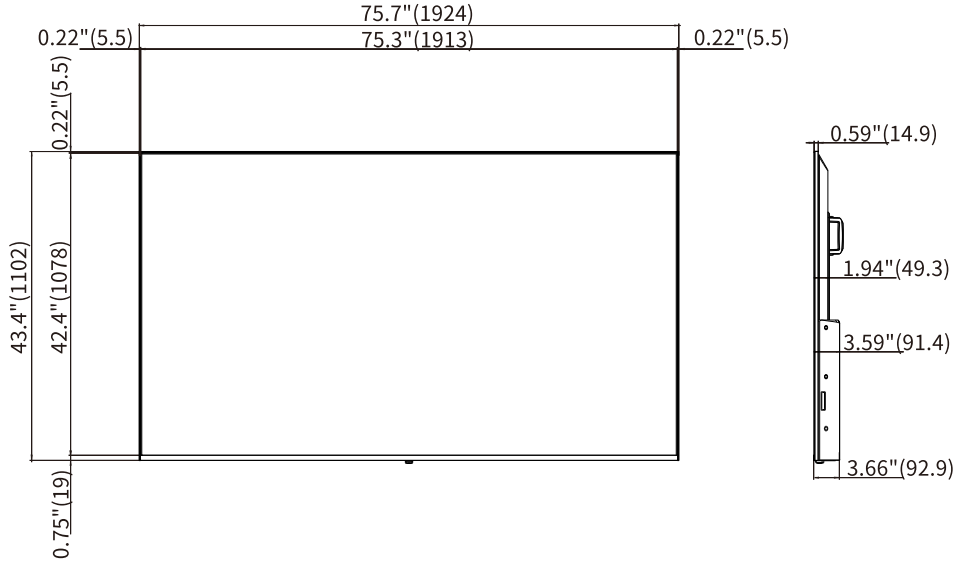
Unit : inch (mm)



Dimensional Drawing

4P-B86EJ2U

Unit : inch (mm)



Trademarks

Manufactured under license from Dolby Laboratories. Dolby, Dolby Audio, and the double-D symbol are trademarks of Dolby Laboratories Licensing Corporation.

The terms HDMI, HDMI High-Definition Multimedia Interface, HDMI Trade Dress and the HDMI Logos are trademarks or registered trademarks of HDMI Licensing Administrator, Inc.

Windows® is a registered trademark of Microsoft Corporation in the US and/or other countries.

Mac and macOS® are trademarks of Apple Inc., registered in the US and other countries.

Google Chrome™ and Android are trademarks of Google LLC.

Intel® Core™ is a trademark of Intel Corporation or its subsidiaries in the US and/or other countries.

ANY USE OF THIS PRODUCT IN ANY MANNER OTHER THAN PERSONAL USE THAT COMPLIES WITH THE MPEG-2 STANDARD FOR ENCODING VIDEO INFORMATION FOR PACKAGED MEDIA IS EXPRESSLY PROHIBITED WITHOUT A LICENSE UNDER APPLICABLE PATENTS IN THE MPEG-2 PATENT PORTFOLIO, WHICH LICENSE IS AVAILABLE FROM MPEG LA, LLC, 6312 S. Fiddlers Green Circle, Suite 400 E, Greenwood Village, Colorado 80111 U.S.A.

THIS PRODUCT IS LICENSED UNDER THE VC-1 PATENT PORTFOLIO LICENSE FOR THE PERSONAL AND NON-COMMERCIAL USE OF A CONSUMER TO (i) ENCODE VIDEO IN COMPLIANCE WITH THE VC-1 STANDARD (“VC-1 VIDEO”) AND/OR (ii) DECODE VC-1 VIDEO THAT WAS ENCODED BY A CONSUMER ENGAGED IN A PERSONAL AND NON-COMMERCIAL ACTIVITY AND/OR WAS OBTAINED FROM A VIDEO PROVIDER LICENSED TO PROVIDE VC-1 VIDEO. NO LICENSE IS GRANTED OR SHALL BE IMPLIED FOR ANY OTHER USE. ADDITIONAL INFORMATION MAY BE OBTAINED FROM MPEG LA, L.L.C. SEE [HTTP://WWW.MPEGLA.COM](http://www.mpegla.com)

THIS PRODUCT IS LICENSED UNDER THE AVC PATENT PORTFOLIO LICENSE FOR THE PERSONAL USE OF A CONSUMER OR OTHER USES IN WHICH IT DOES NOT RECEIVE REMUNERATION TO (i) ENCODE VIDEO IN COMPLIANCE WITH THE AVC STANDARD (“AVC VIDEO”) AND/OR (ii) DECODE AVC VIDEO THAT WAS ENCODED BY A CONSUMER ENGAGED IN A PERSONAL ACTIVITY AND/OR WAS OBTAINED FROM A VIDEO PROVIDER LICENSED TO PROVIDE AVC VIDEO. NO LICENSE IS GRANTED OR SHALL BE IMPLIED FOR ANY OTHER USE. ADDITIONAL INFORMATION MAY BE OBTAINED FROM MPEG LA, L.L.C. SEE [HTTP://WWW.MPEGLA.COM](http://www.mpegla.com)

THIS PRODUCT IS LICENSED UNDER THE MPEG-4 VISUAL PATENT PORTFOLIO LICENSE FOR THE PERSONAL AND NON-COMMERCIAL USE OF A CONSUMER FOR (i) ENCODING VIDEO IN COMPLIANCE WITH THE MPEG-4 VISUAL STANDARD (“MPEG-4 VIDEO”) AND/OR (ii) DECODING MPEG-4 VIDEO THAT WAS ENCODED BY A CONSUMER ENGAGED IN A PERSONAL AND NON-COMMERCIAL ACTIVITY AND/OR WAS OBTAINED FROM A VIDEO PROVIDER LICENSED BY MPEG LA TO PROVIDE MPEG-4 VIDEO. NO LICENSE IS GRANTED OR SHALL BE IMPLIED FOR ANY OTHER USE. ADDITIONAL INFORMATION INCLUDING THAT RELATING TO PROMOTIONAL, INTERNAL AND COMMERCIAL USES AND LICENSING MAY BE OBTAINED FROM MPEG LA, L.L.C. SEE [HTTP://WWW.MPEGLA.COM](http://www.mpegla.com)

Certifications and Compliance

SUPPLIER'S DECLARATION OF CONFORMITY:

SHARP COMMERCIAL LCD TV, MODEL 4P-B43EJ2U, 4P-B50EJ2U, 4P-B55EJ2U, 4P-B65EJ2U, 4P-B75EJ2U, 4P-B86EJ2U
This device complies with part 15 of the FCC Rules. Operation is subject to the following two conditions:
(1) This device may not cause harmful interference, and (2) this device must accept any interference received, including interference that may cause undesired operation.

RESPONSIBLE PARTY:

SHARP ELECTRONICS CORPORATION
100 Paragon Drive Suite #100 Montvale, NJ 07645 USA
For Business Customers: URL <http://siica.sharpusa.com/>

Wireless Radio

For product available in the USA/Canada market, only channel 1-11 can be operated. Selection of other channels is not possible. This device is going to be operated in 2.412-2.462GHz frequency range.

The device could automatically discontinue transmission in case of absence of information to transmit, or operational failure.

Note that this is not intended to prohibit transmission of control or signaling information or the use of repetitive codes where required by the technology.

Important: Any changes or modifications not expressly approved by the party responsible for compliance could void the user's authority to operate the equipment.

FCC Radiation Exposure Statement: This equipment complies with FCC radiation exposure limits set forth for an uncontrolled environment. This equipment should be installed and operated with minimum distance 20cm between the radiator & your body.

IC Radiation Exposure Statement: This device complies with IC RSS-210 rules; Operation is subject to the following two conditions:

(1) This device may not cause harmful interference, and (2) this device must accept interference received, including interference that may cause undesired operation.

Industry Canada Statement

This Class A digital apparatus complies with CAN ICES-003(A)/NMB-3(A)

"Note to CATV system installer: This reminder is provided to call the CATV system installer's attention to Article 820 of the National Electrical Code that provides guidelines for proper grounding and, in particular, specifies that the cable ground shall be connected to the grounding system of the building, as close to the point of cable entry as practical."

NOTE

This equipment has been tested and found to comply with the limits for a Class A digital device, pursuant to Part 15 of the FCC Rules. These limits are designed to provide reasonable protection against harmful interference when the equipment is operated in a commercial environment. This equipment generates, uses, and can radiate radio frequency energy and, if not installed and used in accordance with the instruction manual, may cause harmful interference to radio communications. Operation of this equipment in a residential area is likely to cause harmful interference in which case the user will be required to correct the interference at his own expense.

INFORMATION:

There is no guarantee that interference will not occur in a particular installation. If this equipment does cause harmful interference to radio or television reception, which can be determined by turning the equipment off and on, the user is encouraged to try to correct the interference by one or more of the following measures:

- Reorient or relocate the receiving antenna.
- Increase the separation between the equipment and receiver.
- Connect the equipment into an outlet on a circuit different from that which the receiver is connected.
- Consult the dealer or an experienced radio/TV technician for help.

Certifications and Compliance

FCC

This device complies with part 15 of the FCC Rules. Operation is subject to the following two conditions:

(1) This device may not cause harmful interference, and (2) this device must accept any interference received, including interference that may cause undesired operation. Changes or modifications not expressly approved by the party responsible for compliance could void the user's authority to operate the equipment. To comply with the FCC RF exposure compliance.

IFETEL

This equipment operates on a secondary basis and, consequently, must accept harmful interface, including from station of the same kind and may not cause harmful interference to systems operating on a primary basis.

CONTAINS TRANSMITTER MODULE

Brand: Foxconn

Model: WBU063-VZ

LIMITED WARRANTY

For USA customers only

THREE YEAR END-USER COMMERCIAL APPLICATION LIMITED WARRANTY

SHARP ELECTRONICS CORPORATION warrants to the first end user purchaser (the "Purchaser") that this commercial application Sharp brand product (the "Product"), when shipped in its original container, will be free from defective workmanship and materials, and agrees that it will, for a period of three (3) years from the date of purchase, replace the defective Product or part thereof with a new or remanufactured equivalent at no charge to the Purchaser for parts or labor for the period(s) set forth below.

In order to enforce the rights under this limited warranty, the Purchaser should follow the steps set forth below. The Purchaser must be able to provide proof of purchase to the servicer, which proof must include the date of purchase, model and serial number.

To the extent permitted by applicable state law, the warranties set forth are in lieu of, and exclusive of, all other warranties, express or implied. Specifically ALL OTHER WARRANTIES OTHER THAN THOSE SET FORTH ABOVE ARE EXCLUDED, ALL EXPRESS AND IMPLIED WARRANTIES INCLUDING THE WARRANTIES OF MERCHANTABILITY, FITNESS FOR USE, AND FITNESS FOR A PARTICULAR PURPOSE ARE SPECIFICALLY EXCLUDED. IF, UNDER APPLICABLE STATE LAW, IMPLIED WARRANTIES MAY NOT VALIDLY BE DISCLAIMED OR EXCLUDED, THE DURATION OF SUCH IMPLIED WARRANTIES IS LIMITED TO THE PERIOD(S) FROM THE DATE OF PURCHASE SET FORTH BELOW. THIS WARRANTY GIVES YOU SPECIFIC LEGAL RIGHT. YOU MAY ALSO HAVE OTHER RIGHTS WHICH VARY FROM STATE TO STATE.

The warranties given herein shall be the sole and exclusive warranties granted by Sharp and shall be the sole and exclusive remedy available to the Purchaser and only for the time periods set forth herein. Correction of defects, in the manner and for the period of time described herein, shall constitute complete fulfillment of all liabilities and responsibilities of Sharp to the Purchaser with respect to the Product, and shall constitute full satisfaction of all claims, whether based on contract, negligence, strict liability or otherwise.

Exclusions - This Limited Warranty does not apply to any cosmetic or consumable items of the Product or if the serial number or model number affixed to the Product has been removed, defaced, changed, altered or tampered with. This Limited Warranty does not cover installation or signal reception problems. Sharp does not warrant nor shall Sharp be liable, or in any way responsible for Products which have been subject to abuse (including, but not limited to improper voltage), accident misuse, negligence, lack of reasonable care, alteration, modification, tampering, improper installation, operation or maintenance or any damages or defects in the Product which were caused by repairs or attempted repairs performed by anyone other than the Sharp personnel or Sharp authorized servicer. This Limited Warranty also excludes any damage to Product glass due to the pressure, abrasion, scratches or actions otherwise beyond normal operation of the Product. Nor shall Sharp be liable or in any way responsible for any incidental or consequential economic or property damage. Some states do not allow limits on warranties or on remedies for breach in certain transactions, in such states, the limits herein may not apply.

THIS LIMITED WARRANTY IS VALID ONLY IN THE (50) UNITED STATES, THE DISTRICT OF COLUMBIA, AND PUERTO RICO.

Model Specific Section	4P-B43EJ2U / 4P-B50EJ2U / 4P-B55EJ2U / 4P-B65EJ2U / 4P-B75EJ2U / 4P-B86EJ2U
Your Product Model Number & Description:	Commercial LCD TV (Be sure to have this information available when you need service for your product.)
Warranty Period for this Product:	Three (3) years from date of purchase.
Additional Exclusions from Warranty Coverage (if any):	Any labor and material required to remove, package and / or reinstall the products are the responsibility of the purchaser. Image retention resulting from a fixed image being displayed for long periods of time is not covered by this limited warranty (see operation manual on how to prevent this).
What to do to Obtain Service:	To obtain service call SHARP toll free at 1-888-GO-SHARP. SHARP will provide instructions on service options available for your products. Be sure to have model, serial number and proof of purchase available when contacting SHARP. If it is deemed the product meets limited warranty terms, SHARP will provide instructions for return and replacement. Please be sure to adhere to the safety guidelines in your product manual and use adequate number of persons to carry the product. Please ensure that the product is transported carefully in the packaging provided with the replacement product and ensure that the product is covered to avoid scratches and damage. SHARP shall not be responsible for lost stolen or misdirected shipments or for damage to the product incurred during shipping.

TO OBTAIN PRODUCT INFORMATION OR ACCESSORIES, VISIT www.SharpUSA.com

LIMITED WARRANTY

For Canada customers only

Commercial Electronics Products

Congratulations on your purchase!

Sharp Electronics of Canada Ltd. ("Sharp") warrants to the first purchaser for this Sharp brand product ("Product"), when shipped in its original container and sold or distributed in Canada by Sharp or by an authorized Sharp dealer, and Product was not sold "as is" or "sales final" that the Product will during the applicable warranty period, be free from defects in material and workmanship, and within the applicable warranty period, will either repair the defective Product, provide a refund to the first customer, or provide the first purchaser a replacement of the defective Product.

Conditions: This limited warranty shall not apply to:

- (a) Any defects caused or repairs required as a result of abusive operation, negligence, accident, improper installation or inappropriate use as outlined in the owner's manual or other applicable Product documentation.
- (b) Any defects caused or repairs required as a result of any Product that has been tampered with, modified, adjusted or repaired by any person other than Sharp, a Sharp authorized service centre or a Sharp authorized servicing dealer.
- (c) Any defects caused or repairs required as a result of the use of the Product with items not specified or approved by Sharp, including but not limited to chemical cleaning agents or others foreign substances.
- (d) Any replacement of accessories, consumable or peripheral items required through normal use of the Product, including but not limited to remote controls, AC adapters, batteries, cables.
- (e) Any cosmetic damage to the Product surface or exterior that has been defaced or caused by normal wear and tear.
- (f) Any defects caused or repairs required as a result of damage caused by any external or environmental conditions, including but not limited to, transmission line/power line voltage or liquid spillage or acts of God.
- (g) If the serial number or model number affixed to Product has been removed, defaced, changed, altered, or tampered with.
- (h) Any installation, delivery, setup and/or programming charges.

How to get service: Warranty service may be obtained by contacting Sharp and providing proof of purchase (including date of purchase) and a copy of this limited warranty statement, as noted below. At Sharp's discretion, malfunctioning products may be replaced by a refurbished model or may be repaired. The servicer may if necessary take the unit for repair at the servicer's facility. No other person (including any Sharp dealer or service centre) is authorized to extend, enlarge or transfer this warranty on behalf of Sharp. The purchaser will be responsible for any and all removal, reinstallation, transportation and insurance costs incurred.

The express warranties in this limited warranty are, except for purchasers domiciled in Quebec, in lieu of and, except to the extent prohibited by applicable law, Sharp disclaims all other warranties and conditions, express or implied, whether arising by law, statute, by course of dealing or usage of trade, including, without limitation, implied warranties or conditions of merchantability and/or quality, fitness for a particular use or purpose, and/or non-infringement. **Limitations** (not applicable to purchasers domiciled in Quebec to the extent prohibited under Quebec law): (a) Sharp shall not be liable for any incidental, special, consequential, economic, exemplary or indirect damages of any kind or nature (including lost profits or damages for loss of time or loss of use or loss of data) arising from or in any connection with the use or performance of a Product or a failure of a Product, even if Sharp is aware of or has been advised of the possibility of such damages; (b) the remedies described in this limited warranty constitute complete fulfillment of all obligations and responsibilities of Sharp to the purchaser with respect to the Product and shall constitute full satisfaction of all claims, whether based on contract, negligence, strict liability or otherwise. Some provinces may not allow the exclusion or limitation of certain damages, or limits on the duration or voiding of implied warranties or conditions; in such provinces, the exclusions and limits herein may not apply. This limited warranty is, except for purchasers domiciled in Quebec, governed by the laws of the Province in Canada in which the purchaser has purchased the Product. For purchasers domiciled in Quebec this limited warranty is governed by the laws of Quebec.

WARRANTY PERIODS (calculated from the date of original purchase): Parts & Labour (exceptions noted)

LCD/LED TV

3 years

To obtain the name and address of the nearest Authorized Sharp Dealer, or for more information on this Limited Warranty, Sharp Extended Warranty Offers, Sharp Canada Products or Accessory Sales, please contact Sharp.

- By writing to Sharp Electronics Of Canada Ltd. at 335 Britania Road East Mississauga, Ontario L4Z 1W9
- Calling: at 1-866-731-7730
- By emailing cdnprosupport@sharpsec.com
- Visiting our Web site: www.sharp.ca



THIS LIMITED WARRANTY IS VALID ONLY IN CANADA

Revision: 01/04/2017

FRANÇAIS

Informations Importantes

IMPORTANT :

Pour faciliter la déclaration de perte ou de vol, veuillez noter les numéros de modèle et de série dans l'espace prévu à cet effet. Identifiez les numéros sur le côté du téléviseur où se trouve le panneau de commande.

N° de modèle

N° de série :

AVERTISSEMENT : POUR RÉDUIRE LES RISQUES D'INCENDIE OU D'ÉLECTROCUTION, N'EXPOSEZ PAS CET APPAREIL À LA PLUIE OU À L'HUMIDITÉ.



ATTENTION
RISQUE D'ÉLECTROCUTION
NE PAS OUVRIR



Ce symbole (éclair dans un triangle équilatéral) avertit l'utilisateur de la présence dans le boîtier de l'appareil d'une « tension dangereuse » non isolée suffisamment élevée pour causer une électrocution aux personnes.

ATTENTION: AFIN DE RÉDUIRE LE RISQUE D'ÉLECTROCUTION, NE PAS RETIRER LE COUVERCLE. IL N'Y A PAS DE PIÈCES RÉPARABLES À L'INTÉRIEUR. CONTACTER UN EMPLOYÉ D'ENTRETIEN QUALIFIÉ.



Ce symbole (point d'exclamation dans un triangle équilatéral) avertit l'utilisateur de la présence d'instructions d'utilisation et d'entretien (dépannage) importantes dans la documentation accompagnant l'appareil.

ATTENTION : POUR NE PAS RISQUER UNE ÉLECTROCUTION, PRÉSENTEZ LA FICHE AVEC SA LAME LA PLUS LARGE FACE À LA FENTE CORRESPONDANTE DE LA PRISE ET ENFONCEZ-LA À FOND.

AVERTISSEMENT : Les règles de la FCC stipulent que tout changement ou modification apporté(e) à cet appareil sans l'autorisation expresse du fabricant peut entraîner la révocation du droit de l'utilisateur

ATTENTION : Cet appareil est conforme aux règlements FCC lorsque des câbles et connecteurs blindés sont utilisés pour le brancher sur un autre appareil. Pour éviter les interférences électromagnétiques avec les appareils électriques comme les radios et les téléviseurs, utilisez des câbles et connecteurs blindés pour les connexions.

AVERTISSEMENT : Les piles ne doivent pas être exposées à une chaleur excessive telles que la lumière du soleil, le feu, ou autres.

AVERTISSEMENT : Pour éviter les blessures, cet appareil doit être solidement fixé au sol/mur conformément aux instructions d'installation.

Cher client SHARP

Nous vous remercions pour votre achat de ce téléviseur ACL Sharp. Pour en assurer la sécurité et le bon fonctionnement pendant de longues années, veuillez lire attentivement les consignes de sécurité importantes avant toute utilisation.

Consignes de sécurité importantes

L'électricité remplit de nombreuses fonctions utiles, mais si on l'utilise mal, elle peut occasionner des blessures et des dégâts matériels. Bien que la conception et la fabrication de ce produit aient été axées sur la sécurité, une mauvaise utilisation de l'appareil peut faire courir un risque d'électrocution et/ou d'incendie. Pour ne pas vous exposer à de tels dangers, respectez les consignes suivantes lorsque vous installez, utilisez ou nettoyez le téléviseur. Par mesure de sécurité et pour prolonger la durée de service de votre téléviseur ACL, veuillez lire les précautions suivantes avant de l'utiliser :

- 1) Lisez ces instructions.
- 2) Conservez ces instructions.
- 3) Respectez les mises en garde.
- 4) Suivez toutes les instructions.
- 5) N'utilisez pas cet appareil à proximité de l'eau.
- 6) Nettoyez uniquement avec un chiffon sec.
- 7) Ne bloquez pas les ouvertures de ventilation. Installez l'appareil en respectant les instructions du fabricant.
- 8) N'installez pas l'appareil à proximité de sources de chaleur comme des radiateurs, des chauffages, des cuisinières ou d'autres appareils (y compris les amplificateurs) produisant de la chaleur.
- 9) Ne passez pas outre la caractéristique de sécurité de la fiche polarisée ou avec mise à la terre. Une fiche polarisée comprend deux lames dont une plus large que l'autre. Une fiche avec mise à la terre comprend deux lames et une troisième broche de terre. La lame la plus large ou la troisième broche est une mesure de sécurité. Si la fiche fournie ne rentre pas dans votre prise secteur, consultez un électricien pour remplacer la prise obsolète.
- 10) Assurez-vous que le cordon secteur ne puisse être piétiné ou pincé tout particulièrement au niveau des fiches des prises de courant et aux points où il sort de l'appareil.
- 11) N'utilisez que des accessoires/fixations recommandés par le fabricant.
- 12) Placez l'appareil uniquement sur un chariot, un socle, un trépied, un support ou une table recommandé par le fabricant ou vendu avec l'appareil. Si vous utilisez un chariot, manœuvrez avec précaution l'ensemble chariot/appareil afin d'empêcher toute blessure suite à un renversement.
- 13) Débranchez cet appareil pendant un orage ou lorsqu'il doit rester longtemps inutilisé.
- 14) Faites appel à un technicien qualifié pour tout dépannage. Un dépannage est requis lorsque l'appareil a été endommagé d'une façon ou d'une autre, comme lorsque le cordon secteur ou la fiche est endommagé, du liquide a été renversé sur l'appareil ou des objets sont tombés dans l'appareil, l'appareil a été exposé à la pluie ou à l'humidité, l'appareil ne fonctionne pas normalement ou l'appareil est tombé.



Informations de sécurité supplémentaires

- 15) Alimentation électrique — Cet appareil ne doit être utilisé qu'avec l'alimentation spécifiée sur l'étiquette signalétique. En cas de doute sur le type de courant de votre domicile, consultez votre revendeur ou la compagnie d'électricité locale. Pour les appareils fonctionnant sur batteries ou sur tout autre type d'alimentation, consultez le mode d'emploi.
- 16) Surcharge électrique — Ne dépassez pas la capacité électrique des prises murales, des rallonges ou des prises de courant intégrales, ceci risquant de provoquer un incendie ou une électrocution.
- 17) Pénétration d'objets et de liquides — N'introduisez jamais d'objets par les orifices de cet appareil. Ils pourraient toucher des points sous tension et court-circuiter des pièces et provoquer ainsi un incendie ou une électrocution. Veillez également à ne jamais renverser de liquide dans l'appareil.
- 18) Dommages nécessitant une réparation — Dans les situations ci-dessous, débranchez l'appareil de la prise murale et faites appel à un technicien qualifié pour les réparations :
 - a) si le cordon secteur ou la fiche est endommagée ;
 - b) si du liquide a été renversé sur l'appareil ou si des objets sont tombés à l'intérieur ;
 - c) si l'appareil a été exposé à la pluie ou à l'eau ;
 - d) si l'appareil ne fonctionne pas normalement en suivant le mode d'emploi.Ne touchez qu'aux commandes indiquées dans le mode d'emploi. Un réglage incorrect d'autres commandes peut causer des dommages qui demanderont par la suite un travail intensif à un technicien qualifié.
- e) si l'appareil est tombé ou a été endommagé ;
- f) si l'appareil présente des changements visibles de performances — Ceci indique la nécessité d'une inspection d'entretien.
- 19) Pièces de rechange — Si des pièces sont à remplacer, assurez-vous que le technicien utilise bien les pièces de rechange prescrites par le fabricant ou ayant les mêmes caractéristiques que les pièces d'origine. L'utilisation de pièces non autorisées peut occasionner un incendie, une électrocution et d'autres dangers.
- 20) Vérification de sécurité — Après un travail d'entretien ou de réparation, demandez au technicien d'effectuer les vérifications de sécurité nécessaires pour s'assurer que l'appareil est en bon état de fonctionnement.
- 21) Montage au plafond ou au mur — Si vous montez l'appareil au mur ou au plafond, observez la procédure d'installation recommandée par le fabricant.

Consignes de sécurité importantes

AVERTISSEMENT - Risque de stabilité

Un téléviseur peut tomber et causer des blessures graves ou la mort. Beaucoup de blessures, en particulier aux enfants, peuvent être évitées en prenant des précautions comme celles qui suivent :

- Utilisez TOUJOURS des meubles, des supports ou des méthodes de fixation recommandés par le fabricant du téléviseur.
- Utilisez TOUJOURS des meubles qui peuvent supporter le téléviseur en toute sécurité.
- Assurez-vous TOUJOURS que le téléviseur ne dépasse pas du meuble où il est installé.
- Expliquez TOUJOURS aux enfants le danger de grimper sur un meuble pour atteindre le téléviseur ou ses boutons.
- Faites TOUJOURS cheminer les cordons et les câbles connectés à votre téléviseur de manière à ce que personne ne puisse trébucher dessus, les tirer ou les débrancher.
- Ne placez JAMAIS le téléviseur dans un endroit instable.
- Ne placez JAMAIS le téléviseur sur des meubles hauts (par exemple des armoires ou des bibliothèques) sans ancrage à la fois du meuble et du produit sur un support approprié.
- Ne placez JAMAIS le téléviseur sur une nappe ou un autre matériau entre le téléviseur et le meuble où il est installé.
- Ne placez JAMAIS d'objets qui pourraient inciter les enfants à grimper, comme des jouets et des télécommandes, sur le dessus du téléviseur ou du meuble sur lequel le téléviseur est installé.

Si le téléviseur existant va être conservé et déplacé, les mêmes dispositions que ci-dessus doivent être appliquées.

ATTENTION

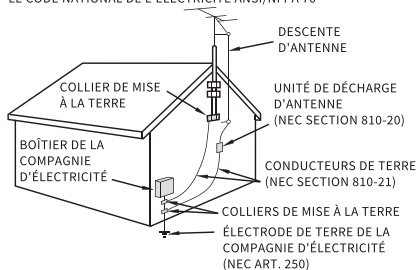
- Le remplacement d'une pile par un type de pile incorrect peut déjouer une fonction de protection (par exemple, pour certains types de piles au lithium);
- L'élimination d'une pile dans le feu ou dans un four chaud, ou l'écrasement ou le découpage mécanique d'une pile, peut causer une explosion;
- Laisser une pile dans un environnement où la température est extrêmement élevée peut causer une explosion ou une fuite de liquide ou de gaz inflammable;
- Une pile soumise à une pression d'air extrêmement basse peut exploser ou avoir une fuite de liquide ou de gaz inflammable.
- Il y a un risque d'incendie ou d'explosion si la pile est remplacée par une pile d'un type incorrect.

Consignes de sécurité importantes

- Mise à la terre de l'antenne extérieure — Si le téléviseur est raccordé à une antenne extérieure, assurez-vous que celle-ci est reliée à la terre afin de protéger le poste contre les sautes de tension et l'accumulation de charges électrostatiques.

L'article 810 du Code national de l'électricité ANSI/NFPA 70 fournit des informations sur la mise à la terre correcte du mât d'antenne et de sa structure de support, la mise à la terre de la descente d'antenne à une unité de décharge d'antenne, le calibre des conducteurs, l'emplacement aux électrodes de terre et les conditions requises pour l'électrode de terre.

EXEMPLE DE MISE À LA TERRE D'UNE ANTENNE SELON LE CODE NATIONAL DE L'ÉLECTRICITÉ ANSI/NFPA 70



- Eau et humidité — N'utilisez pas l'appareil à proximité de l'eau, près d'une baignoire, d'un lavabo, d'un évier, d'une machine à laver, par exemple, ni dans un sous-sol humide ou à proximité d'une piscine.
- Support — Ne placez pas l'appareil sur un chariot, un support, un trépied ou une table instable. S'il est sur une base instable, l'appareil peut tomber et provoquer des blessures corporelles graves ou être endommagé. Utilisez uniquement un chariot, un support, un trépied ou une table recommandés par le fabricant ou vendus avec l'appareil. Pour monter l'appareil sur un mur, suivez les instructions du fabricant. N'utilisez que du matériel recommandé par ce dernier.
- Sélection de l'emplacement — Sélectionnez un emplacement bien aéré et éloigné de la lumière directe du soleil.
- Ventilation — Les événements et autres ouvertures du coffret sont destinés à la ventilation. Ne les recouvrez pas et ne les bloquez pas, car une ventilation insuffisante risque de provoquer une surchauffe et/ou de réduire la durée de vie de l'appareil. Ne placez pas l'appareil sur un lit, un sofa, un tapis ou une autre surface similaire risquant de bloquer les ouvertures de ventilation. Ce produit n'est pas conçu pour être encastré; ne le placez pas dans des endroits clos comme une bibliothèque ou une étagère, sauf si une ventilation adéquate est prévue ou si les instructions du fabricant sont respectées.
- Le panneau avant utilisé dans ce produit est en verre. Il peut donc se briser s'il tombe ou s'il subit un choc. Veillez à ne pas vous blesser avec des morceaux de verre si le panneau à cristaux liquides venait à se briser.
- Sources de chaleur — Éloignez l'appareil des sources de chaleur comme les radiateurs, les chauffages et les autres appareils produisant de la chaleur (y compris les amplificateurs).
- Le panneau à cristaux liquides est un appareil de très haute technologie avec 8 294 400 pixels qui vous offre une très grande finesse de détail. Un petit nombre de pixels non actifs peuvent occasionnellement apparaître à l'écran sous forme de point fixe bleu, vert ou rouge. Notez que cela n'affecte en rien les performances de l'appareil.
- Foudre — Pour mieux protéger ce téléviseur pendant un orage ou lorsqu'il doit rester longtemps sans surveillance et inutilisé, débranchez-le de la prise murale et déconnectez l'antenne. Ceci l'empêchera d'être endommagé par la foudre ou les surtensions de la ligne électrique.
- Lignes électriques — L'antenne extérieure ne doit pas se trouver à proximité de lignes électriques aériennes ou d'autres circuits d'éclairage ou de distribution électrique. Elle ne doit pas non plus être installée sur une position d'où elle pourrait tomber sur ces lignes ou circuits. Lors de l'installation d'une antenne extérieure, toutes les précautions doivent être prises pour ne pas toucher ces lignes ou circuits électriques. Tout contact avec eux pourrait être mortel.
- Ne placez pas de bougies ni de flammes nues sur le téléviseur ou à sa proximité, afin d'éviter les incendies.

Consignes de sécurité importantes

- N'affichez pas une image fixe pendant un période prolongée, sous peine de laisser un traînage à l'écran.
- Pour éviter les incendies ou les électrocutions, veillez à ne pas éclabousser ni faire tomber de l'eau sur cet appareil. Ne placez jamais d'objets remplis de liquide, comme des vases, sur l'appareil.
- N'introduisez pas d'objets étrangers dans le produit. L'introduction d'objets dans les orifices ou dans d'autres ouvertures pourrait provoquer un incendie ou un choc électrique. Faites particulièrement attention lorsque vous utilisez le produit à proximité d'enfants.



Précautions lors du transport du téléviseur (Pour les revendeurs et les techniciens de service SHARP)

- Lors du transport du téléviseur, ne le transportez jamais en le tenant ou en faisant pression sur l'écran. Veillez à toujours le transporter à quatre personnes.



N'installez pas le téléviseur dans un endroit dans lequel il serait exposé à des gouttelettes d'eau, par exemple sous un climatiseur ou à proximité d'un humidificateur.

- Les gouttelettes d'eau tombant sur le téléviseur et l'eau pénétrant à l'intérieur peuvent provoquer un incendie, un choc électrique ou des dysfonctionnements.
- Nous vous recommandons d'installer le téléviseur à au moins 3,3 pieds (1 m) de la sortie d'un climatiseur.



Entretien du coffret

- Utilisez un chiffon doux (en coton, en flanelle, etc.) et essuyez délicatement la surface du coffret.
- L'utilisation d'un chiffon abrasif (chiffon sous forme de feuille humide/sèche, etc.) peut déformer les composants du coffret ou provoquer des fissures.
- Essuyer avec un chiffon rêche ou avec force risque de rayer la surface du coffret.
- Si le coffret est très sale, essuyez avec un chiffon doux (en coton, en flanelle, etc.) humidifié à l'aide d'un détergent neutre dilué avec de l'eau et bien essoré, puis essuyez avec un chiffon sec.
- Le coffret est essentiellement constitué de plastique. Évitez d'utiliser de la benzine, un diluant ou d'autres solvants, car ils pourraient déformer le coffret et provoquer l'écaillage de la peinture.
- N'appliquez pas d'insecticides ni d'autres liquides volatiles. De même, ne laissez pas le coffret en contact avec du caoutchouc ou des appareils en vinyle pendant longtemps. Les plastifiants à l'intérieur du plastique peuvent provoquer des déformations du coffret et l'écaillage de la peinture.

Entretien du panneau avant

- Mettez l'alimentation principale hors tension et débranchez le cordon secteur de la prise murale avant la manipulation.
- Essuyez délicatement la surface du panneau avant à l'aide d'un chiffon doux (en coton, en flanelle, etc.). Pour protéger le panneau avant, n'utilisez pas de chiffon sale, de nettoyeurs liquides ni de chiffon imprégné de produit chimique (chiffon sous forme de feuille humide/sèche, etc.). Ceci pourrait endommager la surface du panneau avant.
- Essuyer avec un chiffon rêche ou avec force risque de rayer la surface du panneau avant.
- Utilisez un chiffon doux et mouillé pour essuyer délicatement le panneau avant s'il est vraiment sale. (Frotter fort risque de rayer la surface du panneau avant.)
- Si le panneau avant est poussiéreux, utilisez une brosse antistatique en vente dans le commerce pour le nettoyer.
- Pour éviter tout risque de rayer le cadre ou l'écran, veuillez utiliser un chiffon doux et non-pelucheux pour le nettoyage. Des chiffons de nettoyage approuvés sont disponibles directement auprès de Sharp, par paquet d'une (00Z-LCD-CLOTH) ou de trois (00Z-LCD-CLOTH-3) unités. APPELEZ le (905)568-7140 ou CONSULTEZ le site <http://www.sharp.ca> pour les commander.



En particulier pour la sécurité des enfants

- Ne laissez pas les enfants grimper sur ou jouer avec le téléviseur.
- Ne placez pas le téléviseur sur des meubles qui peuvent facilement se transformer en marches, comme par exemple une commode à tiroirs.
- Souvenez-vous que les enfants deviennent souvent surexcités en visionnant un programme, surtout sur un téléviseur « plus grand que la normale ». Il faut faire en sorte d'installer le téléviseur là où il ne peut pas être poussé, tiré, ni basculé.
- Il faut faire en sorte de placer les fils et les câbles connectés au téléviseur de façon à ce que des enfants curieux ne puissent pas les tirer ni les saisir.

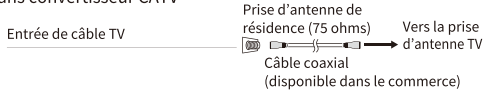
Installation Initiale

Suivez pas à pas les étapes ci-dessous lorsque vous utilisez le téléviseur pour la première fois. Certaines étapes peuvent ne pas être nécessaires en fonction de l'installation et de la connexion de votre téléviseur.

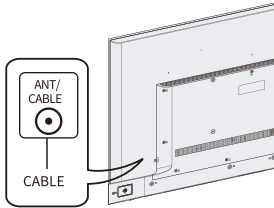
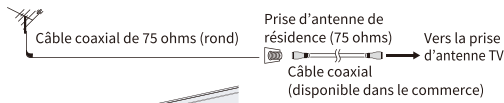
Connexion du câble d'antenne

❶ Connectez un câble d'antenne à la borne de l'antenne.

❶ Câble sans convertisseur CATV

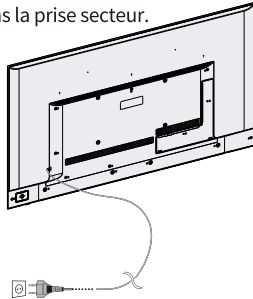


❷ Antenne VHF/UHF



- Connectez le câble d'antenne au téléviseur en utilisant l'une des méthodes illustrées par la suite (❶ or ❷)

❷ Branchez le cordon secteur dans la prise secteur.



REMARQUE Le connecteur de type F doit être serré manuellement.

Lors du raccordement du câble RF sur le téléviseur, ne serrez pas le connecteur de type F avec des outils. Si des outils sont utilisés, ceci risque d'endommager le téléviseur (dommage du circuit interne, par ex.).

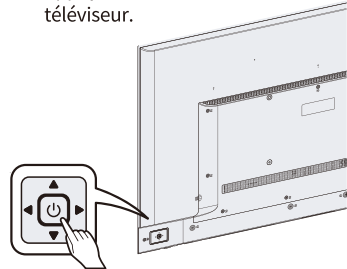


- Placez le téléviseur près de la prise secteur et gardez la fiche du cordon secteur à proximité.

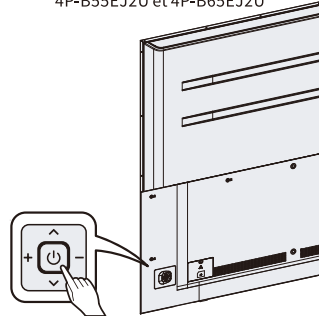
ATTENTION

POUR ÉVITER LES RISQUES D'ÉLECTROCUTION, NE TOUCHEZ PAS LES PIÈCES NON-ISOLÉES DES CÂBLES LORSQUE LE CORDON SECTEUR EST BRANCHÉ.

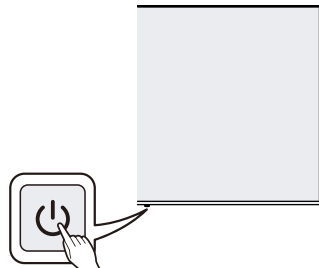
❸ Appuyez sur POWER sur le téléviseur.



4P-B43EJ2U, 4P-B50EJ2U, 4P-B55EJ2U et 4P-B65EJ2U



4P-B75EJ2U



4P-B86EJ2U

❹ Exécutez l'installation initiale.

- Utilisez la télécommande pour effectuer des sélections.

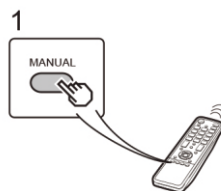
- Configuration langue
- Fuseau horaire
- Avis de mise à jour du micrologiciel
- Réseau
- Mode syntoniseur
- Balayage des chaînes

Affichage du Mode d'emploi intégré

Appuyez sur **MANUAL** sur la télécommande pour afficher les informations de fonctionnement à l'écran.

Pour rechercher un élément dans la table des matières, déplacez le curseur à l'écran à l'aide de l'▲/▼/◀/▶ de la télécommande sur l'information que vous souhaitez afficher et appuyez sur Entrée.

- 1 Appuyez sur la touche **MANUAL** pendant que vous regardez l'écran. Ceci affiche l'écran du manuel électronique.
- 2 Si vous sélectionnez un contenu, la page correspondante s'affiche.
- 3 Vous pouvez feuilleter les pages une par une à l'aide des boutons flèche.



REMARQUE

- Vous pouvez également afficher le mode d'emploi intégré en sélectionnant « Renseignements » > « Manual » dans l'écran menu.
- Le mode d'emploi intégré ne peut pas être add en mode USB, en mode réseau ou lorsqu'une application Internet est utilisée.

Guide de dépannage

Les problèmes décrits ci-dessous ne sont pas toujours causés par des dysfonctionnements. Vérifiez à nouveau le téléviseur avant de l'envoyer en réparation.

Problème	Solution possible
• Appareil hors tension	• Vérifiez si vous avez appuyé sur le bouton POWER de la télécommande. • Le câble secteur est-il débranché • L'alimentation a-t-elle été activée
• La télécommande ne fonctionne pas.	• Les piles sont-elles insérées avec la polarité (+, -) requise • L'extension IR est-elle branchée sur RS232 ?
• Aucune image	• La connexion avec les autres composants est-elle correcte
• Absence de son	• La connexion avec les autres composants est-elle correcte

Mot de passe parental par défaut

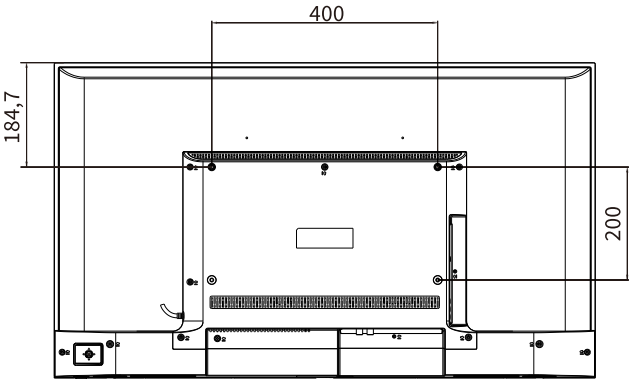
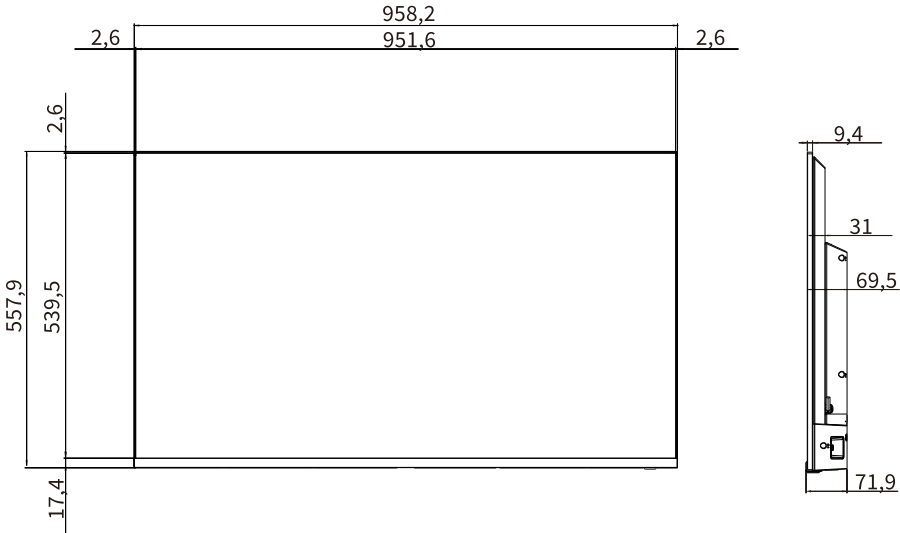
Cet écran a mot de passe parental par défaut en place. Veuillez le modifier si comptez utiliser cette fonction.

- 1 Appuyez sur **MENU** pour afficher l'écran **MENU**, puis appuyez sur ◀/▶ pour sélectionner « Contrôle Parental ».
- 2 Appuyez sur ▲/▼ pour sélectionner « Contrôle Parental », puis appuyez sur la touche **ENTER** et l'écran de saisie du mot de passe s'affiche.
- 3 Si vous saisissez « 1234 » en utilisant 0-9, le menu de réglage « Contrôle Parental » sera affiché.
- 4 Appuyez sur ▲/▼ pour sélectionner « Changer le mot de passe », puis appuyez sur la touche **ENTER** pour définir le mot de passe.
- 5 Saisissez le numéro à 4 chiffres qui sera le nouveau mot de passe, en utilisant 0-9, puis retapez les mêmes 4 chiffres pour confirmer. Le nouveau mot de passe est maintenant défini.

Schémas dimensionnels

4P-B43EJ2U

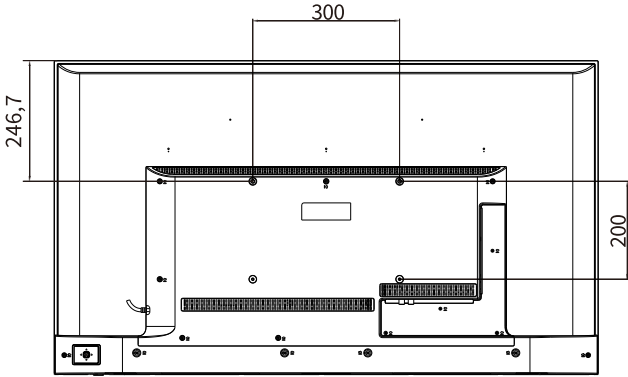
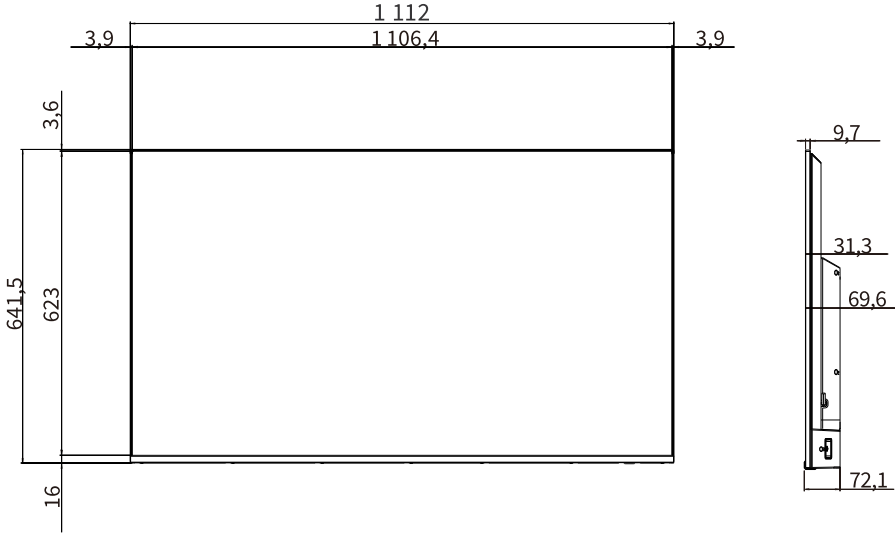
Unit : mm



Schémas dimensionnels

4P-B50EJ2U

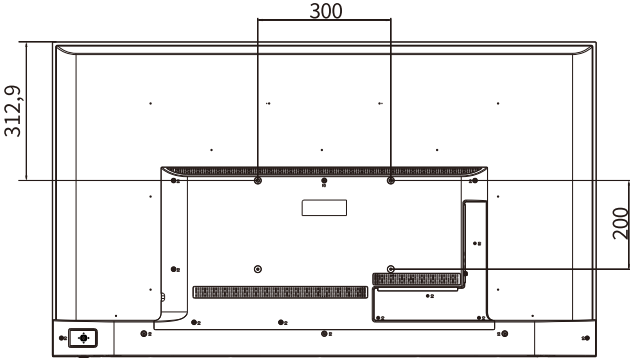
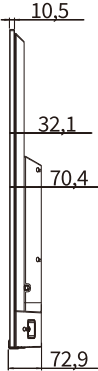
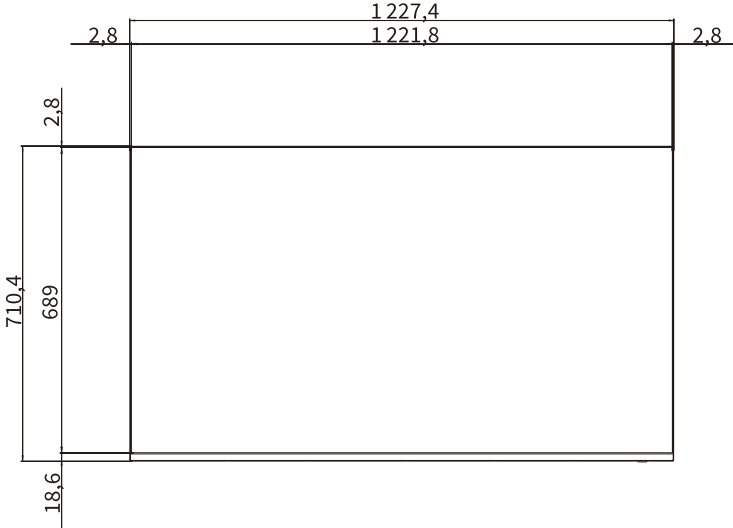
Unit : mm



Schémas dimensionnels

4P-B55EJ2U

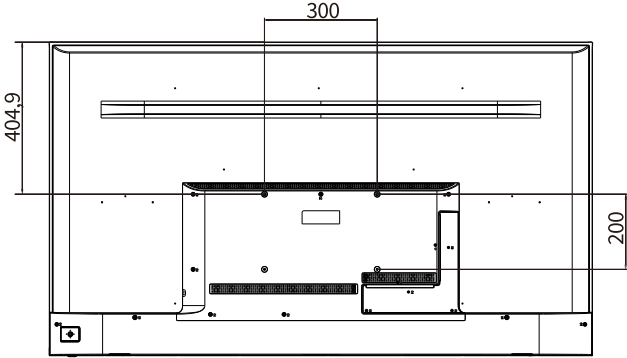
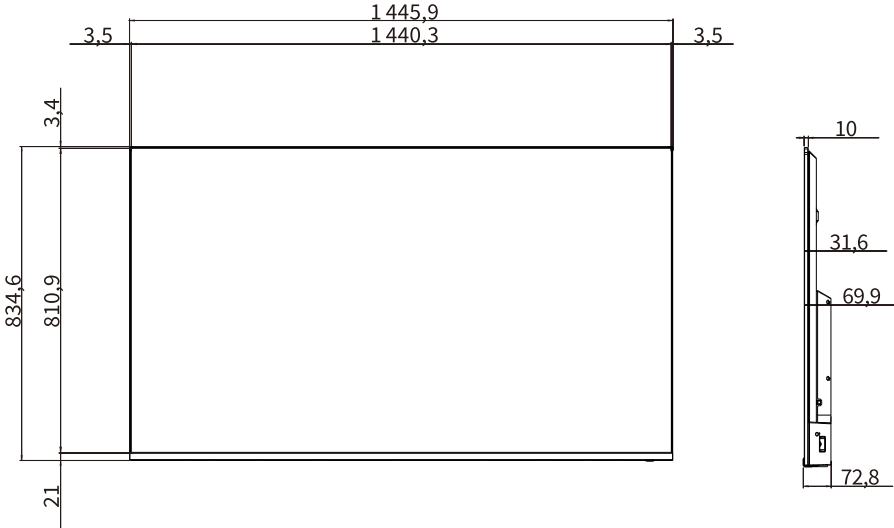
Unit : mm



Schémas dimensionnels

4P-B65EJ2U

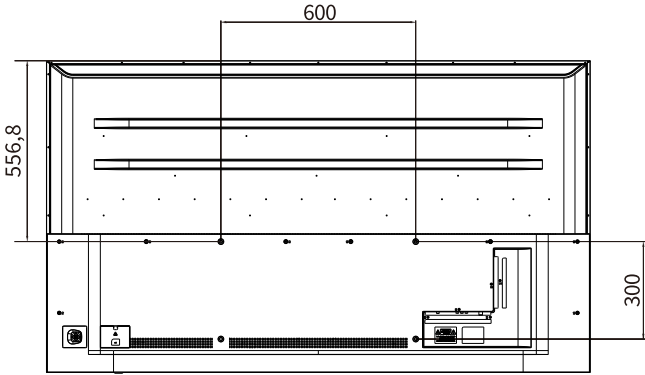
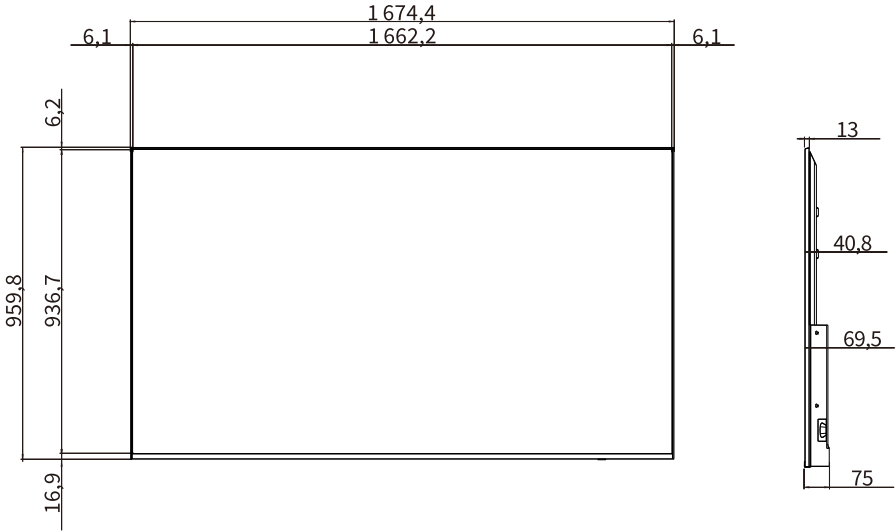
Unit : mm



Schémas dimensionnels

4P-B75EJ2U

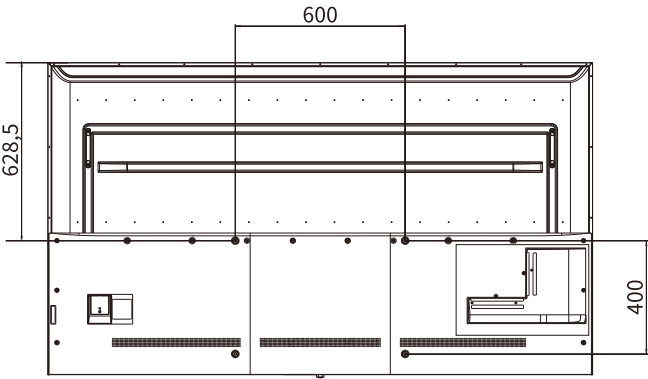
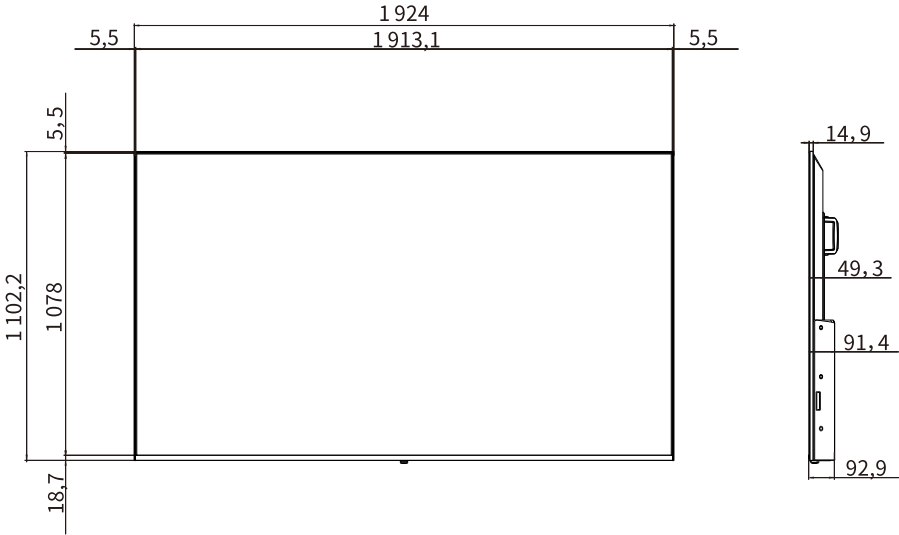
Unit : mm



Schémas dimensionnels

4P-B86EJ2U

Unit : mm



Marques

Fabriqué sous licence de Dolby Laboratories. Dolby, Dolby Audio et le symbole double-D sont des marques de Dolby Laboratories Licensing Corporation.

Les termes HDMI, HDMI High-Definition Multimedia Interface, la présentation commerciale HDMI et les logos HDMI sont des marques ou des marques déposées de HDMI Licensing Administrator, Inc.

Windows® est une marque déposée de Microsoft Corporation aux États-Unis et/ou dans d'autres pays.

Apple, Mac, Mac OS et macOS® sont des marques commerciales de Apple Inc., enregistrées aux États-Unis et dans d'autres pays.

Google Chrome™ et Android sont des marques commerciales ou des marques déposées de Google LLC.

Intel® Core™ sont des marques commerciales ou des marques déposées de Intel Corporation ou de ses filiales aux États-Unis et dans d'autres pays.

TOUTE UTILISATION DE CE PRODUIT AUTRE QUE L'UTILISATION PERSONNELLE CONFORME À LA NORME MPEG-2 CONCERNANT LE CRYPTAGE D'INFORMATIONS VIDÉO POUR LES SUPPORTS PRÊTS À UTILISER EST FORMELLEMENT INTERDITE SANS LICENCE, EN VERTU DES BREVETS COMPRIS DANS LE PORTEFEUILLE MPEG-2, LAQUELLE LICENCE EST DISPONIBLE AUPRÈS DE MPEG LA, LLC, 6312 S. Fiddlers Green Circle, Suite 400 E, Greenwood Village, Colorado 80111 États-Unis.

CE PRODUIT FAIT L'OBJET D'UNE LICENCE DE PORTEFEUILLE DE BREVETS VC-1 POUR L'UTILISATION PERSONNELLE ET NON COMMERCIALE D'UN CONSOMMATEUR POUR (i) ENCODER UNE VIDÉO CONFORMÉMENT À LA NORME VC-1 (« VIDÉO VC-1 ») ET/OU (ii) DÉCODER UNE VIDÉO VC-1 QUI A ÉTÉ ENCODÉE PAR UN CONSOMMATEUR DANS LE CADRE D'UNE ACTIVITÉ PERSONNELLE ET NON COMMERCIALE ET/OU OBTENUE AUPRÈS D'UN FOURNISSEUR VIDÉO BÉNÉFICIAIRE D'UNE LICENCE POUR FOURNIR UNE VIDÉO VC-1. AUCUNE LICENCE N'EST ACCORDÉE NI SOUS-ENTENDUE POUR TOUTE AUTRE UTILISATION. DES INFORMATIONS SUPPLÉMENTAIRES PEUVENT ÊTRE OBTENUES AUPRÈS DE MPEG LA, L.L.C. VOIR [HTTP://WWW.MPEGLA.COM](http://www.mpegla.com)

CE PRODUIT FAIT L'OBJET D'UNE LICENCE DE PORTEFEUILLE DE BREVETS AVC POUR L'UTILISATION PERSONNELLE D'UN CONSOMMATEUR OU POUR D'AUTRES UTILISATIONS POUR LESQUELLES IL NE REÇOIT AUCUNE RÉMUNÉRATION POUR (i) ENCODER UNE VIDÉO CONFORMÉMENT À LA NORME AVC (« VIDÉO AVC ») ET/OU (ii) DÉCODER UNE VIDÉO AVC QUI A ÉTÉ ENCODÉE PAR UN CONSOMMATEUR DANS LE CADRE D'UNE ACTIVITÉ PERSONNELLE ET/OU OBTENUE AUPRÈS D'UN FOURNISSEUR VIDÉO BÉNÉFICIAIRE D'UNE LICENCE POUR FOURNIR UNE VIDÉO AVC. AUCUNE LICENCE N'EST ACCORDÉE NI SOUS-ENTENDUE POUR TOUTE AUTRE UTILISATION. DES INFORMATIONS SUPPLÉMENTAIRES PEUVENT ÊTRE OBTENUES AUPRÈS DE MPEG LA, L.L.C. VOIR [HTTP://WWW.MPEGLA.COM](http://www.mpegla.com)

CE PRODUIT FAIT L'OBJET D'UNE LICENCE DE PORTEFEUILLE DE BREVETS VISUELS MPEG-4 VISUAL POUR L'UTILISATION PERSONNELLE ET NON COMMERCIALE D'UN CONSOMMATEUR POUR (i) L'ENCODAGE D'UNE VIDÉO CONFORMÉMENT À LA NORME VISUELLE MPEG-4 VISUAL (« VIDÉO MPEG-4 ») ET/OU (ii) LE DÉCODAGE D'UNE VIDÉO MPEG-4 QUI A ÉTÉ ENCODÉE PAR UN CONSOMMATEUR DANS LE CADRE D'UNE ACTIVITÉ PERSONNELLE ET NON COMMERCIALE ET/OU OBTENUE AUPRÈS D'UN FOURNISSEUR VIDÉO BÉNÉFICIAIRE D'UNE LICENCE DE MPEG LA POUR FOURNIR UNE VIDÉO MPEG-4. AUCUNE LICENCE N'EST ACCORDÉE NI SOUS-ENTENDUE POUR TOUTE AUTRE UTILISATION. DES INFORMATIONS SUPPLÉMENTAIRES COMPRENANT LES INFORMATIONS RELATIVES AUX UTILISATIONS PROMOTIONNELLES, INTERNES ET COMMERCIALES, AINSI QUE L'OCTROI DES LICENCES, PEUVENT ÊTRE OBTENUES AUPRÈS DE MPEG LA, L.L.C. VOIR [HTTP://WWW.MPEGLA.COM](http://www.mpegla.com)

Certifications et conformité

DÉCLARATION DE CONFORMITÉ DU FOURNISSEUR :

PRODUIT SHARP TÉLÉVISEUR ACL, MODÈLE 4P-B43EJ2U, 4P-B50EJ2U, 4P-B55EJ2U, 4P-B65EJ2U, 4P-B75EJ2U, 4P-B86EJ2U
Cet appareil est conforme à la partie 15 des règlements FCC. Son fonctionnement est soumis aux deux conditions suivantes : (1) l'appareil ne provoquera pas d'interférences nuisibles, et (2) il doit accepter les interférences reçues, y compris celles pouvant provoquer un fonctionnement indésiré.

PARTIE RESPONSABLE :

SHARP ELECTRONICS CORPORATION

100 Paragon Drive Suite #100 Montvale, NJ 07645 USA

Pour la clientèle commerciale : URL <http://sica.sharpusa.com/>

Radio sans-fil

Pour le produit disponible sur le marché des États-Unis/du Canada, seuls les canaux 1 à 11 peuvent être utilisés. La sélection d'autres canaux est impossible. Cet appareil étant utilisé dans la plage de fréquences 2,412 à 2,462 GHz. Cet appareil pourrait interrompre automatiquement une émission en cas d'absence d'informations à émettre ou de dysfonctionnement.

Veuillez noter qu'il n'est pas destiné à interdire des émissions de commande ou des informations de signalisation ni l'utilisation de codes répétitifs s'ils s'avèrent requis par la technologie.

Important : Tout changement ou modification non expressément homologué par la partie responsable de la conformité peut annuler le droit de l'utilisateur à utiliser l'équipement.

Déclaration d'exposition aux rayonnements de la FCC : Cet appareil est conforme aux limites d'exposition aux rayonnements définies pour un environnement non contrôlé. Cet équipement doit être installé et utilisé à une distance minimale de 20 cm entre l'élément rayonnant et votre corps.

Déclaration d'exposition aux rayonnements d'IC : Cet appareil est conforme aux règlements CNR-210 de l'IC. Son fonctionnement est soumis aux deux conditions suivantes :

(1) l'appareil ne provoquera pas d'interférences nuisibles, et (2) il doit accepter les interférences reçues, y compris celles pouvant provoquer un fonctionnement non désiré.

Déclaration d'Industrie Canada

Cet appareil numérique de la classe A est conforme à la norme CAN ICES-003(A)/NMB-3(A).

« Note à l'intention de l'installateur de télévision par câble : nous attirons l'attention de l'installateur de télévision par câble sur l'article 820 du Code National de l'Électricité qui fournit des directives pour l'exécution correcte de la mise à la terre et spécifie notamment que la terre du câble doit être reliée au réseau de mise à la terre du bâtiment, le plus près possible du point d'entrée du câble. »

REMARQUE :

Cet appareil a été testé et trouvé conforme aux limites des appareils numériques de classe A, conformément à l'article 15 du règlement FCC. Ces limites sont conçues pour offrir une protection raisonnable contre les interférences nuisibles lorsque l'équipement est utilisé dans une installation résidentielle. Cet équipement génère, utilise et peut émettre de l'énergie radiofréquence et, s'il n'est pas installé et utilisé conformément au manuel d'instructions, peut causer des interférences nuisibles aux communications radio. Le fonctionnement de cet appareil dans une zone résidentielle est susceptible de provoquer une interférence nuisible, auquel cas l'utilisateur devra corriger les interférences à ses propres frais.

INFORMATION :

Il n'y a aucune garantie que de telles interférences ne se produisent pas pour une installation particulière. Si cet appareil provoque des interférences nuisibles à la réception radio ou télévisée, ce qui peut être déterminé en mettant l'appareil hors et sous tension, vous êtes encouragé à essayer de corriger ces interférences à l'aide de l'une ou de plusieurs des mesures suivantes :

- Réorientez ou déplacez l'antenne réceptrice.
- Augmentez l'espace entre l'appareil et le récepteur.
- Connectez l'appareil sur une prise secteur appartenant à un circuit différent de celui sur lequel le récepteur est connecté.
- Consultez votre revendeur ou un technicien radio/téléviseur.

Certifications et conformité

FCC

Cet appareil est conforme à la partie 15 des règlements FCC. Son fonctionnement est soumis aux deux conditions suivantes : (1) l'appareil ne provoquera pas d'interférences nuisibles, et (2) il doit accepter les interférences reçues, y compris celles pouvant provoquer un fonctionnement indésirable. Les changements ou modifications non expressément homologués par la partie responsable de la conformité peuvent annuler le droit de l'utilisateur à utiliser l'équipement. En vue de la conformité à l'exposition, aux RF de la FCC.

IFETEL

Cet équipement fonctionne à titre secondaire et, par conséquent, peut accepter des interférences nuisibles, par exemple d'une station de même type, et ne peut pas provoquer d'interférences nuisibles sur des systèmes fonctionnant à titre primaire. CONTIENT UN MODULE D'ÉMISSION

Marque : Foxconn

Modèle : WBU063-VZ

GARANTIE LIMITÉE

Pour les clients canadiens seulement

Produits électroniques commerciaux

Bravo! Vous venez de faire un excellent achat!

Sharp Électronique du Canada Ltée (« Sharp ») garantit à l'acheteur initial de ce produit de marque Sharp (le « produit ») que, s'il est emballé dans son contenant original et s'il est vendu ou distribué au Canada par Sharp ou par un détaillant autorisé Sharp, et s'il n'a pas été vendu « tel quel » ou s'il ne s'agissait pas d'une « vente ferme », le produit est exempt de défaut de fabrication et de vice de matériau pour la période de garantie stipulée et s'engage auprès de l'acheteur initial et durant ladite période à réparer la défectuosité, à lui accorder un remboursement ou à remplacer le produit défectueux.

Conditions : La présente garantie limitée ne s'applique pas :

- (a) Aux dommages causés ou aux réparations requises sur les appareils qui ont fait l'objet d'un emploi abusif, de négligence, d'un accident, d'une installation inadéquate ou d'une utilisation non appropriée, tel qu'il est mentionné dans le manuel du propriétaire ou dans toute autre documentation applicable sur le produit;
- (b) Aux dommages causés ou aux réparations requises sur les produits Sharp trafiqués, modifiés, réglés ou réparés par une entité autre que Sharp, un centre agréé de service Sharp ou un détaillant autorisé au service Sharp;
- (c) Aux dommages causés ou aux réparations requises à la suite de l'utilisation du produit avec des articles non désignés ou approuvés par Sharp, y compris, mais sans en être limité, des agents de nettoyage chimiques ou d'autres substances étrangères;
- (d) Au remplacement des accessoires, des articles consommables ou des périphériques, devenu nécessaire à la suite d'une utilisation normale du produit, y compris, mais sans en être limité, les télécommandes, les adaptateurs c.a., les piles et les câbles;
- (e) Aux défauts cosmétiques à la surface ou au boîtier extérieur du produit, et qui sont attribuables à la détérioration ou à l'usure résultant d'un usage normal;
- (f) Aux défectuosités causées ou aux réparations requises à la suite de dommages causés par des conditions extérieures et relatives à l'environnement, y compris, mais sans en être limité, une tension de la ligne électrique ou de transmission trop élevée, du liquide répandu ou une catastrophe naturelle;
- (g) Au cas d'usage commercial du Produit, y compris, mais sans s'y limiter aux espaces commerciaux, espaces communes des immeubles de logement avec appartements, ou tout endroit autre que maison ou appartement privé;
- (h) Si le numéro de série ou de modèle indiqué sur le produit a été enlevé, maqué, modifié, altéré ou trafiqué;
- (i) Aux coûts d'installation, de livraison, de configuration et (ou) de programmation.

Pour obtenir un service après-vente : La réparation sous garantie peut être obtenue en communiquant avec Sharp et en fournissant la preuve d'achat (sur laquelle est indiquée la date d'achat) et une copie de la présente garantie limitée, comme il est indiqué ci-après. À la discrétion de Sharp, les produits défectueux sont soit remplacés par un modèle remis à neuf, soit réparés. Le technicien peut, au besoin, ramener l'appareil à son atelier pour en faire la réparation. Aucune autre entité (y compris les détaillants et les centres de service Sharp) n'est autorisée à prolonger la durée de la garantie, à fournir des garanties autres ou à transférer cette garantie au nom de Sharp. L'acheteur doit assumer tous les coûts de démontage, de réinstallation, de transport et d'assurance de l'appareil.

Les garanties expresses de la présente garantie limitée remplacent, sauf pour les acheteurs domiciliés au Québec, et Sharp décline, à l'exception des cas où la loi en vigueur l'interdit, toutes les autres garanties et conditions, expresses ou implicites, découlant de la loi, d'un règlement, de la conduite habituelle ou de l'usage du commerce, y compris, mais sans en être limité, les garanties ou les conditions implicites de qualité marchande et d'adaptabilité à une utilisation ou à une fin particulière, et/ou d'absence de contrefaçon. **Limites** (non applicables aux acheteurs domiciliés au Québec, dans la mesure où la loi en vigueur au Québec l'interdit) : a) Sharp ne sera en aucun cas responsable des dommages accessoires, spéciaux, consécutifs, économiques, exemplaires ou indirects de quelque type ou nature que ce soit (y compris la perte de profits ou les dommages par suite de la perte de temps, d'utilisation ou de données) découlant de l'utilisation ou du rendement d'un produit ou de la défectuosité d'un produit, même si Sharp est informée ou a été avisée de la possibilité de tels dommages; b) les recours mentionnés dans la présente garantie limitée constituent l'exécution intégrale de toutes les obligations et responsabilités de Sharp envers l'acheteur à l'égard du produit et constituera la satisfaction entière de toutes les réclamations, qu'elles soient en fonction d'un contrat, d'une négligence, d'une responsabilité stricte ou autrement. Dans certaines provinces, il est interdit d'exclure ou de limiter l'application de certains dommages ou de certaines limites sur la durée ou l'annulation de certaines garanties ou conditions implicite. Par conséquent, dans ces provinces, les exclusions et les limites indiquées aux présentes peuvent ne pas s'appliquer. La présente garantie limitée est, sauf pour les acheteurs domiciliés au Québec, régie par les lois de la province canadienne dans laquelle l'acheteur a acquis le produit. Pour les acheteurs domiciliés au Québec, la présente garantie limitée est régie par les lois du Québec.

PÉRIODES DE GARANTIE (calculées à partir de la date d'achat originale) : Pièces et main-d'oeuvre (exceptions relevées)

Téléviseurs ACL/DEL

3 ans

Pour connaître le nom et l'adresse du détaillant autorisé Sharp le plus près, ou pour obtenir davantage de renseignements sur la présente garantie limitée, sur les offres de garantie prolongée de Sharp ou sur les ventes de produits ou d'accessoires Sharp, veuillez communiquer avec Sharp :

- En écrivant à Sharp Électronique du Canada Ltée, 335 Britannia Road East, Mississauga (Ontario) L4Z 1W9
- En appelant au 1-866-731-7730
- En envoyant un courriel à cdnprosupport@sharpsec.com
- En visitant notre site Web : www.sharp.ca

CETTE GARANTIE LIMITÉE EST VALIDE UNIQUEMENT AU CANADA

Révision : 2017-01-04



ESPAÑOL

Información importante

IMPORTANTE:

Para facilitar el reporte en caso de pérdida o robo, escriba por favor el modelo y los números de serie del televisor en el espacio provisto. Los números se encuentran en la parte trasera e izquierda del televisor.

N ° de Modelo.:

N ° de Serie.:

ADVERTENCIA: PARA REDUCIR EL RIESGO DE INCENDIO O DESCARGA ELÉCTRICA, NO EXPONGA ESTE PRODUCTO A LA LLUVIA NI A LA HUMEDAD.



PRECAUCIÓN

RIESGO DE CHOQUE ELÉCTRICO NO ABRIR



PRECAUCIÓN: PARA REDUCIR EL RIESGO DE DESCARGA ELÉCTRICA. NO RETIRE LA TAPA TRASERA. NO CONTIENE REPUESTOS EN SU INTERIOR. PÓNGASE EN CONTACTO CON PERSONAL DE SERVICIO CALIFICADO.



El símbolo del relámpago con punta de flecha, dentro de un triángulo equilátero, sirve para alertar al usuario de la presencia de "voltaje peligroso" no aislado en el interior del producto que puede ser de suficiente magnitud para constituir un riesgo de descarga eléctrica para las personas.



El signo de exclamación dentro de un triángulo sirve para alertar al usuario de la presencia de importantes instrucciones en la operación y mantenimiento (servicio) en la literatura que acompaña al producto.

PRECAUCIÓN: PARA PREVENIR UN CHOQUE ELÉCTRICO, HAGA COINCIDIR LA PATILLA ANCHA DE LA CLAVIJA CON LA RANURA ANCHA DE LA TOMA DE CORRIENTE, E INSERTE COMPLETAMENTE.

ADVERTENCIA: Las regulaciones de la FCC establecen que cualquier cambio o modificación no autorizada a este equipo no aprobado expresamente por el fabricante podría anular la autoridad del usuario para operar este equipo.

PRECAUCIÓN: Este producto satisface las regulaciones de la FCC cuando se utilizan cables y conectores blindados para conectar la unidad a otro equipo. Para impedir las interferencias electromagnéticas con aparatos eléctricos tales como radios y televisores, utilice cables y conectores blindados para hacer las conexiones.

ADVERTENCIA: Las baterías no deben exponerse a un calor excesivo como la luz directa del sol, el fuego, etc.

ADVERTENCIA: Para evitar lesiones, este aparato debe sujetarse firmemente al piso/pared de acuerdo con las instrucciones de instalación.

Estimado Cliente SHARP

Gracias por haber adquirido este televisor Sharp. Para garantizar su seguridad y muchos años de uso sin problemas de su producto, por favor lea cuidadosamente las Instrucciones de seguridad importantes antes de usar este producto.

Instrucciones de Seguridad Importantes

La electricidad se utiliza para realizar muchas funciones útiles, pero también puede causar lesiones en personas y daños en la propiedad si se utiliza incorrectamente. Este producto ha sido diseñado y fabricado con la más alta prioridad en la seguridad. Sin embargo, su uso incorrecto puede provocar descargas eléctricas y/o incendios. Para evitar peligros potenciales, por favor tenga muy en cuenta las siguientes instrucciones al instalar, operar y limpiar el producto. Para garantizar su seguridad y prolongar la vida útil de su televisor, lea atentamente las siguientes precauciones antes de utilizar el producto.

- 1) Lea estas instrucciones.
- 2) Conserve estas instrucciones.
- 3) Preste atención a todas las advertencias.
- 4) Siga todas las instrucciones.
- 5) No utilice este aparato cerca del agua.
- 6) Límpielo solamente con un paño seco.
- 7) No bloquee las aberturas de ventilación. Instale este aparato de acuerdo con las instrucciones del fabricante.
- 8) No instale este aparato cerca de ninguna fuente de calor como, por ejemplo, radiadores, salidas de aire caliente, estufas u otros aparatos (incluyendo amplificadores) que produzcan calor.
- 9) No anule la seguridad de la clavija polarizada ni la de la clavija con conexión a tierra. Una clavija polarizada tiene dos patillas, una más ancha que la otra. Una clavija con conexión a tierra tiene dos patillas y una espiga de conexión a tierra. La patilla ancha y la espiga se proporcionan para su seguridad. Si la clavija proporcionada no entra en su tomacorriente, consulte a un electricista para reemplazar la toma de corriente obsoleta.
- 10) Proteja el cable de alimentación para que nadie lo pise ni quede aplastado, especialmente en las clavijas, tomas de corriente y puntos por donde sale del aparato.
- 11) Utilice solamente los aditamentos/accesorios suministrados por el fabricante.
- 12) Utilice este aparato solamente con el carrito, soporte, trípode, ménsula o mesa especificado por el fabricante o vendido con el propio aparato. Cuando utilice un carrito, tenga cuidado al mover la combinación de carrito y el aparato para evitar que se caigan y se estropeen.
- 13) Desconecte este aparato de la toma de corriente durante las tormentas eléctricas o cuando no lo utilice durante largos períodos de tiempo.
- 14) Solicite todos los trabajos de reparación al personal calificado solamente. Las reparaciones serán necesarias cuando se haya dañado el aparato de cualquier forma: cuando se haya estropeado el cable o la clavija de alimentación, se hayan derramado líquidos o hayan caído objetos en el interior del aparato, cuando éste haya estado expuesto a la lluvia o la humedad, cuando no funcione normalmente, o cuando se haya caído.



Información de seguridad adicional

- 15) Fuentes de energía: este producto deberá utilizarse solamente con el tipo de fuente de energía indicado en la etiqueta de especificaciones. Si no está seguro del tipo de suministro de energía de su hogar, consulte a su distribuidor o a la compañía de electricidad de su localidad. Para productos diseñados a funcionar con baterías u otra fuente de energía, consulte las instrucciones de operación.
- 16) Sobrecarga: no sobrecargue las tomas de corriente, los cables de prolongación o los receptáculos de conveniencia integrales, porque se puede correr el riesgo de causar un incendio o recibir una descarga eléctrica.
- 17) Entrada de objetos y líquidos: nunca introduzca objetos de ningún tipo en este producto a través de las aberturas porque pueden tocar puntos de alto voltaje peligrosos o cortocircuitar partes que podrían causar un incendio o una descarga eléctrica. Nunca derrame líquidos de ningún tipo sobre el producto.
- 18) Daños que necesitan ser reparados: desconecte este producto de la toma de corriente y solicite las reparaciones al personal de servicio calificado cuando se den las condiciones siguientes:
 - a) Cuando el cable o la clavija estén dañados,
 - b) Si se ha derramado algún líquido o han caído objetos dentro del producto,
 - c) Si el producto ha sido expuesto a la lluvia o al agua,
 - d) Si el producto no funciona normalmente siguiendo las instrucciones de operación.Ajuste solamente aquellos controles descritos en las instrucciones de operación, porque un ajuste incorrecto de otros controles podrá causar daños que a menudo requieren un arduo trabajo de ajuste por parte de un técnico calificado para que el producto pueda volver a funcionar normalmente.
- e) Si el producto se ha caído o dañado de cualquier forma, y
- f) Cuando el producto muestra un cambio notable en su rendimiento, lo que indica la necesidad de ser reparado.
- 19) Piezas de repuesto: cuando se necesiten piezas de repuesto, asegúrese de que el técnico de servicio utilice las piezas de repuesto especificadas por el fabricante o otras cuyas características sean similares a las de las piezas originales. El uso de piezas no autorizadas puede causar incendios, descargas eléctricas u otros peligros.
- 20) Verificación de seguridad: Una vez completado cualquier trabajo de mantenimiento o reparación en este producto, pida al técnico de servicio que realice verificaciones de seguridad para determinar si el producto está en condiciones de funcionamiento apropiadas.
- 21) Montaje en pared o techo: cuando monte el producto en la pared o en el techo, asegúrese de instalarlo de acuerdo con el método recomendado por el fabricante.

Instrucciones de Seguridad Importantes

ADVERTENCIA: peligro de estabilidad

Un televisor puede caerse y causar lesiones personales graves o la muerte. Muchas lesiones, particularmente a los niños, pueden ser evitadas tomando precauciones simples como:

- SIEMPRE use gabinetes o soportes o el método de montaje recomendado por el fabricante del televisor.
- SIEMPRE use muebles que puedan soportar de forma segura el televisor.
- SIEMPRE asegúrese de que el televisor no sobresalga del borde de los muebles de soporte.
- SIEMPRE eduque a los niños sobre los peligros de subirse a los muebles para alcanzar el televisor o sus controles.
- SIEMPRE enrute los cables conectados a su televisor para que no se puedan tropezar, tirar o agarrar.
- NUNCA coloque el televisor en un lugar inestable.
- NUNCA coloque el televisor sobre muebles altos (por ejemplo, armarios o estanterías) sin anclar los muebles como el televisor a un soporte adecuado.
- NUNCA coloque el televisor sobre telas u otros materiales que puedan estar ubicados entre el televisor y los muebles de soporte.
- NUNCA coloque objetos que puedan tentar a los niños a trepar, como juguetes y controles remotos, en la parte superior del televisor o los muebles en los que se coloca el televisor.

Si el televisor existente se va a retener y reubicar, se deben aplicar las mismas consideraciones anteriores.

PRECAUCIÓN

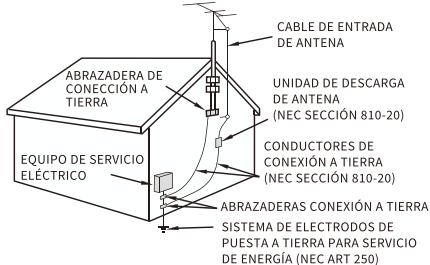
- El reemplazo de una batería por con un tipo incorrecto podría vencer una protección (por ejemplo, en el caso de algunos tipos de baterías de litio);
- Desechar una batería al fuego o al horno caliente, o aplastar o cortar mecánicamente una batería, podría provocar una explosión;
- Dejar una batería en un entorno circundante de temperatura extremadamente alta podría provocar una explosión o la fuga de líquidos o gases inflamables;
- Una batería sometida a una presión de aire extremadamente baja podría provocar una explosión o la fuga de líquidos o gases inflamables.
- Riesgo de incendio o explosión si la batería se reemplaza por un tipo incorrecto.

Instrucciones de Seguridad Importantes

- Puesta a tierra de la antena exterior: si se conecta una antena exterior al televisor, asegúrese de que el sistema de antena esté conectado a tierra para obtener cierta protección ante los aumentos de voltaje y la acumulación de cargas estáticas.

El artículo 810 del Código Eléctrico Nacional, ANSI/NFPA 70, proporciona información relacionada con la conexión a tierra correcta del poste y la estructura de apoyo, la conexión a tierra del cable de entrada a una unidad de descarga de antena, el tamaño de los conductores de conexión a tierra, la ubicación de la unidad de descarga de antena, la conexión a los electrodos de conexión a tierra y los requerimientos para el electrodo de conexión a tierra.

EJEMPLO DE CONEXIÓN A TIERRA DE ANTENA NACIONAL
CÓDIGO ELÉCTRICO, ANSI/NFPA 70

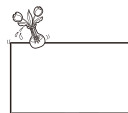


NEC - CÓDIGO ELÉCTRICO NACIONAL

- Agua y humedad: no use este producto cerca del agua, por ejemplo, cerca de una bañera, lavabo, fregadero de cocina o lavadero; en un sótano húmedo; o cerca de una piscina o un lugar similar.
- Soporte: no coloque el producto en un carrito, soporte, trípode o mesa inestable. La colocación del producto en una base inestable puede ser la causa de que el producto se caiga, lo que prodrá causar lesiones graves a personas y también daños al producto. Utilice solamente un carrito, soporte, trípode, ménsula o mesa recomendado por el fabricante o vendido con el producto. Cuando coloque el producto en una pared, asegúrese de seguir las instrucciones del fabricante. Utilice solo los accesorios de montaje recomendados por el fabricante.
- Selección de la ubicación: seleccione un lugar donde no dé directamente la luz del sol y haya buena ventilación.
- Ventilación: los orificios de ventilación y otras aberturas del gabinete están diseñados para ventilar el producto. No cubra ni bloquee estos orificios de ventilación y aberturas porque la falta de ventilación puede causar sobrecalentamiento y/o reducir la vida útil del producto. No coloque el producto sobre una cama, sofá, alfombra u otra superficie similar, porque las aberturas de ventilación podrán quedar bloqueadas. Este producto no está diseñado para ser empotrado; No lo coloque en un lugar cerrado como, por ejemplo, un mueble libería o estantería a menos que disponga de la ventilación apropiada o se sigan las instrucciones del fabricante.
- El panel frontal utilizado en este producto está hecho de cristal. Por lo tanto, podrá romperse si el producto se cae o recibe un impacto fuerte. En el caso de que se rompa la pantalla de cristal líquido, tenga cuidado para que no le hieran las piezas de cristal roto.
- Calor: el producto deberá colocarse alejado de las fuentes de calor como, por ejemplo, radiadores, salidas de aire caliente, estufas u otros productos (incluyendo amplificadores) que produzcan calor.
- La pantalla cristal líquido es un producto de alta tecnología con 4K (3 840 x 2 160 Pixeles), lo que le proporciona una imagen fina muy detallada. Ocasionalmente, puede que aparezcan algunos Pixeles no activos en la pantalla a modo de puntos fijos de color azul, verde o rojo. Tenga en cuenta que esto no afecta el funcionamiento de su producto.
- Tormentas eléctricas: para una mayor protección del televisor durante una tormenta de rayos, o cuando se deja desatendido y sin usar durante largos períodos de tiempo, desconéctelo de la toma de corriente y desconecte la antena. Esto evitará daños al equipo debido a rayos y sobrecargas en las líneas eléctricas.
- Líneas eléctricas: un sistema de antena exterior no debe ubicarse cerca de líneas eléctricas aéreas u otros circuitos eléctricos o de luz, o donde pueda caer sobre tales líneas o circuitos eléctricos. Al instalar un sistema de antena exterior, se debe tener mucho cuidado para evitar tocar tales líneas o circuitos eléctricos, ya que el contacto con ellos podría ser fatal.
- Para evitar incendios, nunca coloque ningún tipo de vela o llamas en la parte superior o cerca del televisor.
- Para evitar incendios o descargas eléctricas, no coloque el cable de alimentación debajo del televisor u otros artículos pesados.

Instrucciones de Seguridad Importantes

- No muestre una imagen fija durante mucho tiempo porque esto podrá ser la causa de que quede una imagen residual en la pantalla.
- Para impedir un incendio o una descarga eléctrica, no exponga este aparato al goteo ni a las salpicaduras. Tampoco deberán ponerse encima del producto objetos llenos de líquidos como, por ejemplo, floreros.
- No introduzca ningún tipo de objeto en el producto. Introducir objetos por las aberturas de ventilación o por otras aberturas puede ser causa de incendio o de descarga eléctrica. Tome especiales precauciones cuando utilice el producto cerca de niños.



Precauciones al transportar el televisor (Para distribuidores y técnicos de servicio SHARP)

- Cuando transporte el televisor nunca lo lleve colgando ni ejerciendo presión sobre el panel frontal. El televisor deberá ser transportado siempre por 4 personas.



No instale el televisor en un lugar en el que puedan caerle gotas de agua, como debajo de una unidad de aire acondicionado o cerca de un humidificador.

- Las gotas de agua que caen sobre el televisor y el agua que entra en su interior pueden dar lugar a un incendio, descargas eléctricas o mal funcionamiento.
- Le recomendamos que instale el televisor al menos a 3,3 pies (1 m) de separación de la salida de un aire acondicionado.



Cuidado del gabinete

- Utilice un paño suave (algodón, franela, etc.) y limpie delicadamente la superficie del gabinete.
 - El uso de un paño químico (pañó de tipo de hoja mojado/seco, etc.) puede deformar los componentes del gabinete o causar rajaduras.
 - La limpieza con un paño duro o el uso enérgico de fuerza pueden rayar la superficie del gabinete.
 - Si el gabinete está muy sucio, límpiolo con un paño suave (algodón, franela, etc.) empapado en un detergente neutro diluido con agua y escurrido completamente y, luego, repase con un paño suave seco.
 - Evite usar benceno, disolvente y otros solventes, ya que estos podrían deformar el gabinete y causar que la pintura se desprenda.
 - No aplique insecticidas u otros líquidos volátiles.
- Además, no permita que el gabinete permanezca en contacto con productos de caucho o vinilo durante un largo periodo de tiempo. Los plastificantes dentro del plástico pueden causar que el gabinete se deforme y hacer que la pintura se desprenda.

Cuidado del panel frontal

- Apague la alimentación principal y desconecte el cable de alimentación de la toma de corriente antes de manipularlo.
- Limpie la superficie del panel frontal delicadamente con un paño suave (algodón, franela, etc.). Para proteger el panel frontal, no utilice un paño sucio, limpiadores líquidos o un paño químico (pañó de tipo de hoja mojado/seco, etc.). Esto puede dañar la superficie del panel frontal.
- La limpieza con un paño duro o el uso enérgico de fuerza pueden rayar la superficie del panel frontal.
- Utilice un paño suave y húmedo para limpiar delicadamente el panel frontal cuando esté realmente sucio. (Se podría rayar la superficie del panel frontal si lo limpia vigorosamente).
- Si el panel frontal tiene polvo, utilice un cepillo anti-estática, el cual está disponible comercialmente, para limpiarlo.
- Para evitar rayar el marco o la pantalla, utilice un paño suave que no suelte pelusa para limpiarlo.



Especialmente para la seguridad de los niños.

- No permita que los niños se suban o jueguen con el televisor.
- No coloque el televisor sobre muebles que se puedan utilizar fácilmente como escalera, como una cómoda.
- Recuerde que los niños pueden emocionarse mientras ven un programa, especialmente en un televisor "tan grande como la vida".
- Tenga cuidado de colocar o instalar el televisor donde no se pueda empujar, tirar o derribar.
- Tenga cuidado de colocar todos los cables conectados al televisor de modo que los niños curiosos no puedan tirar de ellos o cogerlos.

Preparación Inicial

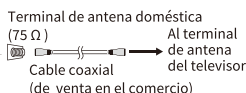
Siga los pasos siguientes uno tras otro cuando use el televisor por primera vez. Dependiendo de la instalación y la conexión del televisor, puede que no sea necesario realizar algunos de los pasos.

Conexión del cable de la antena

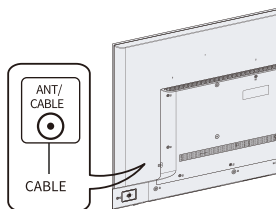
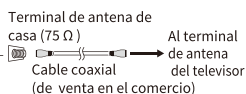
1 Conecte un cable de antena al terminal correspondiente.

1 Cable sin convertidor CATV

Cable de entrada de TV por cable

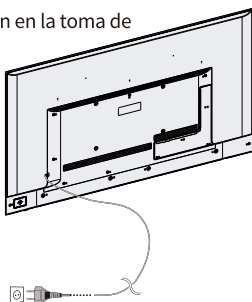


2 Antenas de VHF / UHF



- Conecte el cable de la antena al televisor siguiendo uno de los métodos que se muestran en la ilustración (1) o (2)

2 Enchufe el cable de alimentación en la toma de corriente eléctrica.



AVISO

El conector del tipo F deberá apretarse con los dedos solamente.

Quando conecte el cable de RF al televisor, no apriete el conector tipo F con ninguna herramientas. Si emplease herramientas podría dañar su televisor. (La ruptura del circuito interno, etc.)

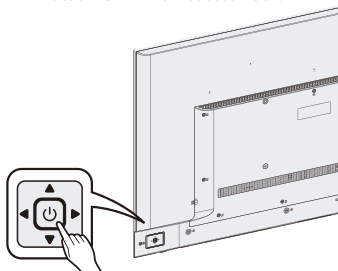


- Coloque el televisor cerca de la toma de corriente eléctrica, y mantenga el enchufe al alcance de la mano.

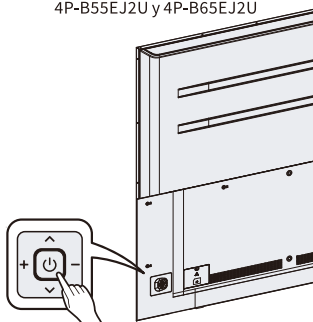
PRECAUCIÓN

PARA IMPEDIR EL RIESGO DE DESCARGA ELÉCTRICA, NO TOQUE LAS PARTES SIN AISLAR DE NINGÚN CABLE ESTANDO CONECTADO EL CABLE DE ALIMENTACIÓN.

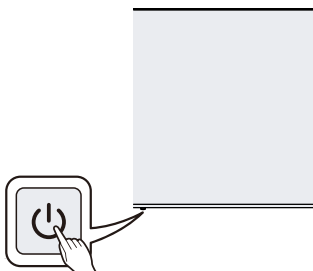
3 Pulse POWER en el televisor.



4P-B43EJ2U, 4P-B50EJ2U,
4P-B55EJ2U y 4P-B65EJ2U



4P-B75EJ2U



4P-B86EJ2U

4 Ejecute la instalación inicial.

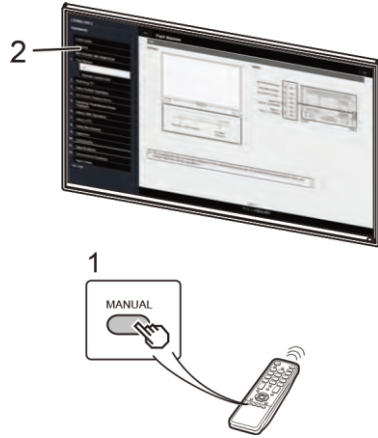
- Use el control remoto para hacer selecciones.

- **Ajuste de idioma**
- **Zona Horaria**
- **Actualizaciones de Software**
- **Red**
- **Modo sintonizador**
- **Búsqueda de canales**

Visualización del Manual de Instrucciones Integrado

Pulse **MANUAL** en el control remoto para ver información sobre operaciones en la pantalla. Para buscar un elemento de índice o buscar un elemento en mueva el cursor en la pantalla usando el control remoto ▲/▼/◀/▶ sobre la información que desea ver y presione enter.

- 1 Pulse **MANUAL** mientras ve la televisión. Aparece el manual electrónico en pantalla.
- 2 Cuando seleccione un contenido, se mostrará la página correspondiente.
- 3 Puede pasar la página una por una las flechas.



NOTA

- También puede ver el manual de instrucciones integrado seleccionando “Información” > “Manual” en la pantalla del menú.
- Cuando se utilice el modo USB, el modo Red doméstica o Aplicación de Internet, no podrá visualizar el manual de instrucciones integrado.

Solución de problemas

Los problemas descritos a continuación no siempre están causados por un mal funcionamiento. Revise de nuevo el televisor antes de enviarlo a reparar.

Problema	Posible Solución
<ul style="list-style-type: none"> • No enciende. 	<ul style="list-style-type: none"> • Compruebe si ha pulsado POWER en el control remoto. • ¿Está desconectado el cable de alimentación? • ¿Se ha conectado la alimentación?
<ul style="list-style-type: none"> • El control remoto no funciona. 	<ul style="list-style-type: none"> • ¿Se han insertado las baterías con la polaridad (+, -) alineada? • ¿Está conectado el extensor IR a Rs232?
<ul style="list-style-type: none"> • No hay imagen. • No hay sonido. 	<ul style="list-style-type: none"> • ¿Está correcta la conexión a otros componentes? • ¿Está correcta la conexión a otros componentes?

En control parental

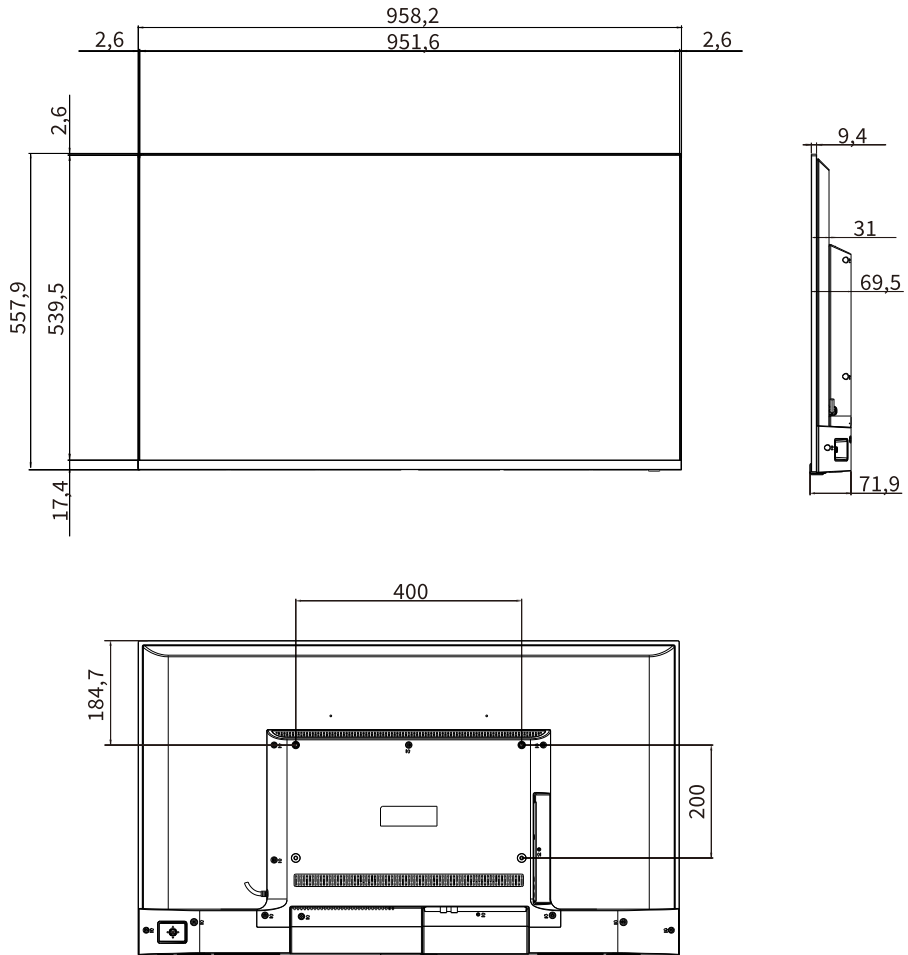
Esta pantalla tiene una contraseña parental predeterminada. Cámbielo si va a utilizar esta función. Cambiela con el procedimiento siguiente.

- 1 Pulse **MENU** para abrir la pantalla **MENU**, luego pulse ▲/▼ para seleccionar “Parental”
- 2 **ENTER** y aparecerá la pantalla para introducir la contraseña.
- 3 Si introduce "1234" usando 0-9, se mostrará el menú de configuración de "Del control Parental".
- 4 Pulse ▲/▼ para seleccionar “Cambia contraseña” y después pulse **ENTER** para establecer la contraseña.
- 5 Introduzca el número de 4 dígitos como una contraseña usando los botones 0-9, después, introduzca los mismos 4 dígitos para confirmar que la nueva contraseña ya está establecida.

Proyecciones Dimensionales

4P-B43EJ2U

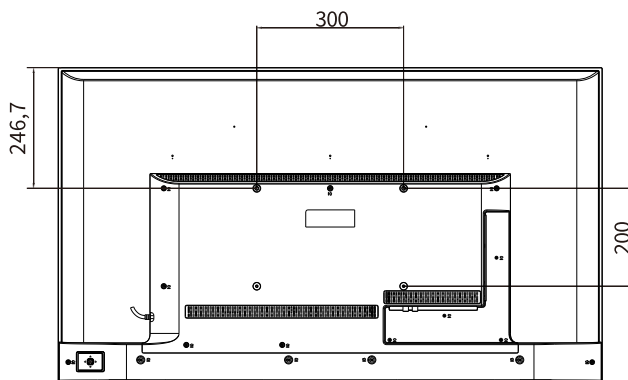
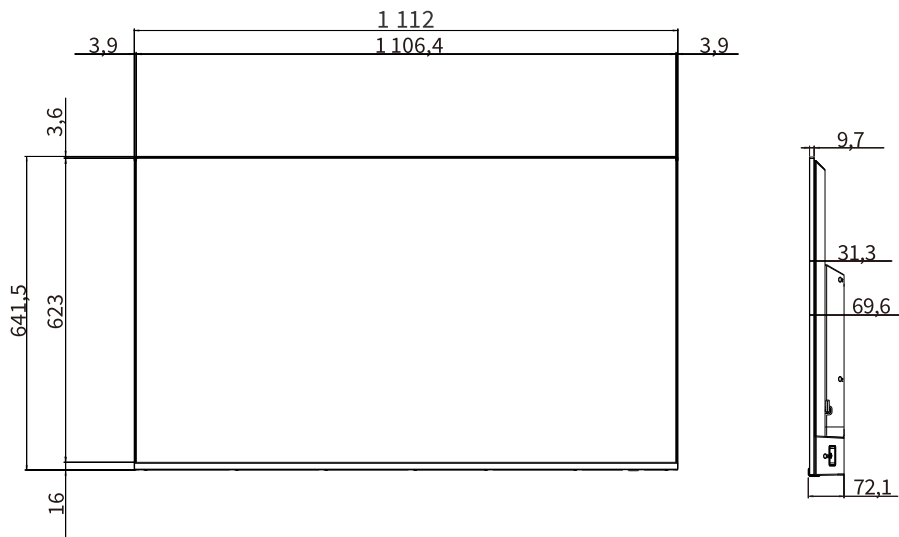
Unidad: mm



Proyecciones Dimensionales

4P-B50EJ2U

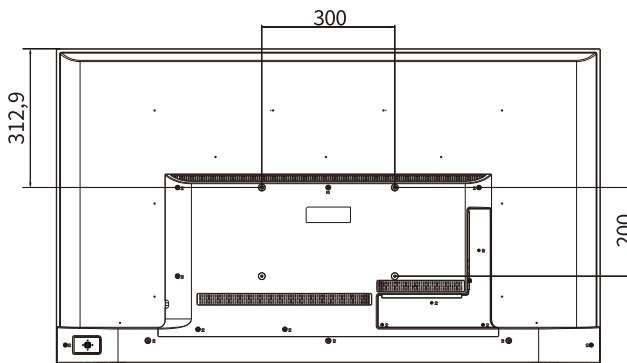
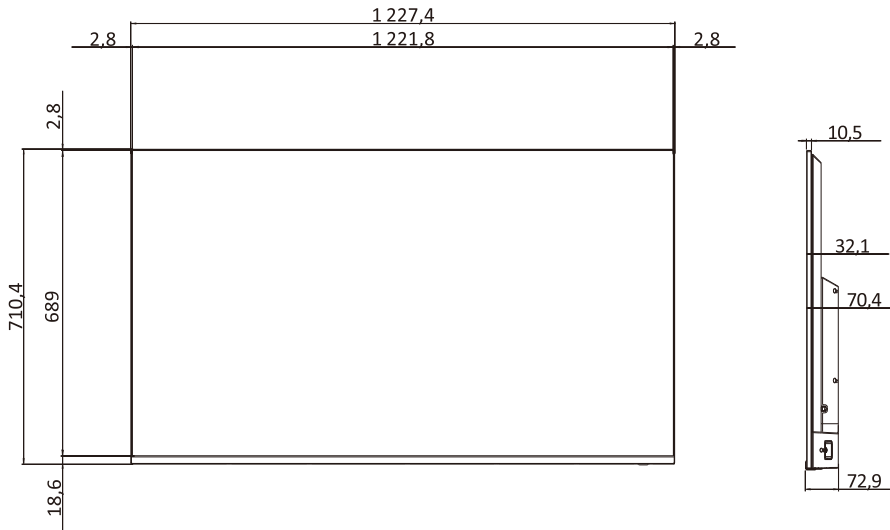
Unidad: mm



Proyecciones Dimensionales

4P-B55EJ2U

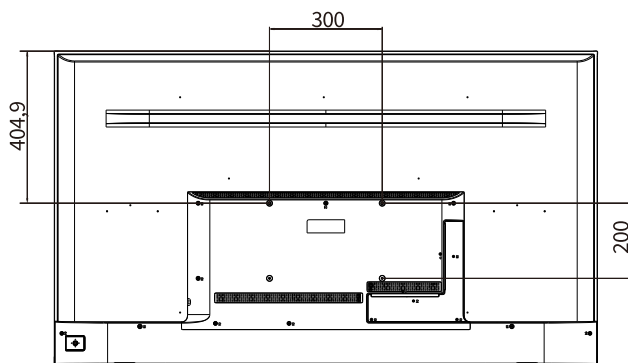
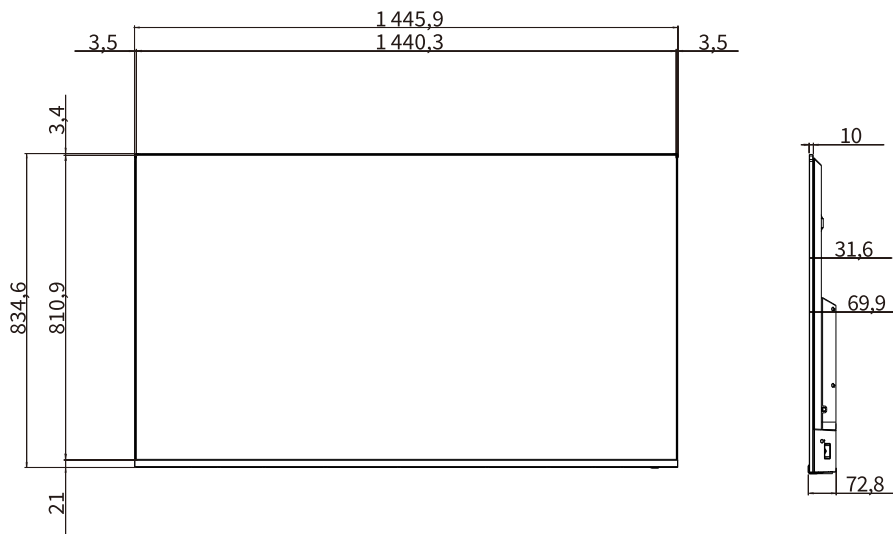
Unidad: mm



Proyecciones Dimensionales

4P-B65EJ2U

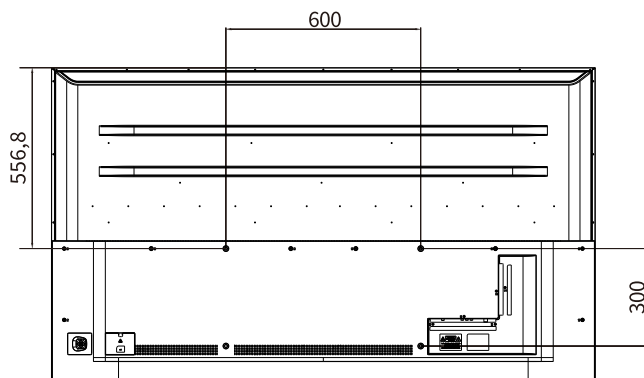
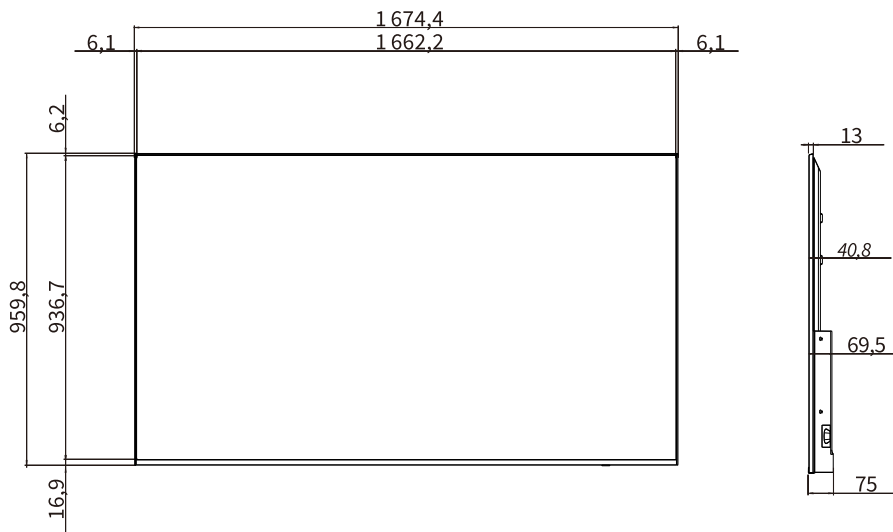
Unidad: mm



Proyecciones Dimensionales

4P-B75EJ2U

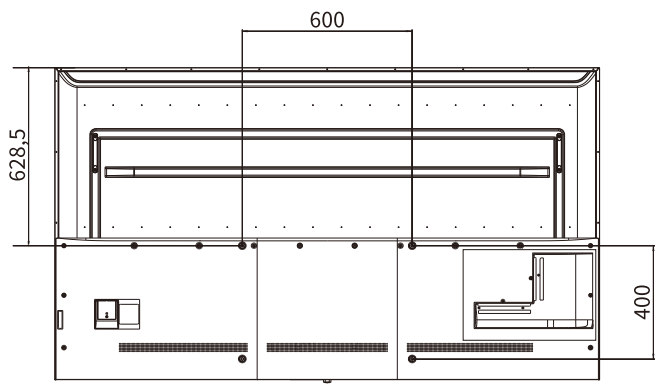
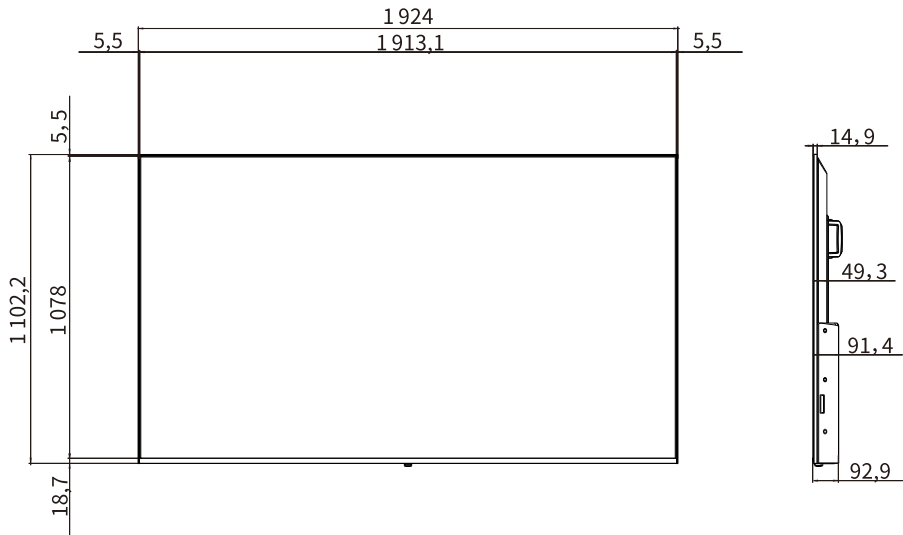
Unidad: mm



Proyecciones Dimensionales

4P-B86EJ2U

Unidad: mm



Marcas Comerciales

Fabricado bajo licencia de Dolby Laboratories. Dolby, Dolby Audio y el símbolo de la doble D son marcas comerciales de Dolby Laboratories Licensing Corporation.

Los términos HDMI, HDMI High-Definition Multimedia Interface, la Imagen comercial de HDMI (Trade dress) y los logotipos de HDMI son marcas comerciales o marcas registradas de HDMI Licensing Administrator, Inc.

Microsoft® e Windows® son marcas registradas o marcas comerciales registradas de Microsoft Corporation en Estados Unidos y / u otros países.

Mac y macOS® son marcas comerciales de Apple Inc., registradas en EE. UU. Y otros países.

Google Chrome™ y Android son marcas comerciales o marcas registradas de Google LLC.

Intel® Core™ es una marca comercial de Intel Corporation o sus subsidiarias en EE. UU. y / o en otros países.

ESTÁ PROHIBIDO USAR ESTE PRODUCTO DE CUALQUIER FORMA DISTINTA AL USO PERSONAL QUE CUMPLA CON LA NORMATIVA MPEG-2 PARA LA CODIFICACIÓN DE DATOS DE VÍDEO PARA PROGRAMAS ENVASADOS SI DICHO USO NO CUENTA CON UNA LICENCIA CONFORME CON LAS PATENTES APLICABLES INCLUIDAS EN LA CARTERA DE PATENTES MPEG-2. DICHA LICENCIA PUEDE OBTENERSE EN MPEG LA, LLC, 6312 S. Fiddlers Green Circle, Suite 400 E, Greenwood Village, Colorado 80111 EE.UU.

ESTE PRODUCTO ESTÁ SUJETO A LA LICENCIA DE CARTERA DE PATENTES AVC PARA SU USO PERSONAL POR PARTE DE UN CONSUMIDOR U OTROS USOS EN LOS QUE NO RECIBE LA RETRIBUCIÓN PARA (i) CODIFICAR EL VÍDEO DE ACUERDO CON LA NORMA AVC ("AVC VIDEO") Y/O (ii) DECODIFICAR EL VÍDEO AVC QUE FUE CODIFICADO POR UN CONSUMIDOR COMPROMETIDO EN UNA ACTIVIDAD PERSONAL Y/O FUE OBTENIDO DE UN PROVEEDOR DE VÍDEO CON LICENCIA PARA PROPORCIONAR VÍDEO AVC. NO SE OTORGA NINGUNA LICENCIA NI SE IMPLICARÁ PARA CUALQUIER OTRO USO. SE PUEDE OBTENER INFORMACIÓN ADICIONAL DE MPEG LA, L.L.C. CONSULTE [HTTP://WWW.MPEGLA.COM](http://www.mpegla.com)

ESTE PRODUCTO ESTÁ SUJETO A LA LICENCIA DE CARTERA DE PATENTES AVC PARA SU USO PERSONAL POR PARTE DE UN CONSUMIDOR U OTROS USOS EN LOS QUE NO RECIBE LA RETRIBUCIÓN PARA (i) CODIFICAR EL VÍDEO DE ACUERDO CON LA NORMA AVC ("AVC VIDEO") Y/O (ii) DECODIFICAR EL VÍDEO AVC QUE FUE CODIFICADO POR UN CONSUMIDOR COMPROMETIDO EN UNA ACTIVIDAD PERSONAL Y/O FUE OBTENIDO DE UN PROVEEDOR DE VÍDEO CON LICENCIA PARA PROPORCIONAR VÍDEO AVC. NO SE OTORGA NINGUNA LICENCIA NI SE IMPLICARÁ PARA CUALQUIER OTRO USO. SE PUEDE OBTENER INFORMACIÓN ADICIONAL DE MPEG LA, L.L.C. CONSULTE [HTTP://WWW.MPEGLA.COM](http://www.mpegla.com)

ESTE PRODUCTO TIENE LICENCIA ESTÁ SUJETO A LA LICENCIA DE CARTERA DE PATENTES MPEG-4 VISUAL PARA EL USO PERSONAL Y NO COMERCIAL POR PARTE DE UN CONSUMIDOR PARA (i) CODIFICAR EL VÍDEO DE ACUERDO CON LA NORMA MPEG-4 VISUAL ("VÍDEO MPEG-4") Y/O (ii) DECODIFICAR EL VÍDEO MPEG-4 CODIFICADO POR UN CONSUMIDOR COMPROMETIDO EN UNA ACTIVIDAD PERSONAL Y NO COMERCIAL Y/O FUE OBTENIDO DE UN PROVEEDOR DE VÍDEO CON LICENCIA DE MPEG PARA PROPORCIONAR VÍDEO MPEG-4. NO SE OTORGA NINGUNA LICENCIA NI SE IMPLICARÁ PARA CUALQUIER OTRO USO. PUEDE OBTENER INFORMACIÓN ADICIONAL, INCLUIDA LA RELACIONADA CON LOS USOS PROMOCIONALES, INTERNOS Y COMERCIALES, Y CON LA LICENCIA DE MPEG LA, L.L.C. CONSULTE [HTTP://WWW.MPEGLA.COM](http://www.mpegla.com)

Certificaciones y Cumplimiento

DECLARACIÓN DE CONFORMIDAD DEL PROVEEDOR:

PRODUCTO LCD TV SHARP, MODELO 4P-B43EJ2U, 4P-B50EJ2U, 4P-B55EJ2U, 4P-B65EJ2U, 4P-B75EJ2U, 4P-B86EJ2U
Este dispositivo cumple con el Apartado 15 de las Normas FCC. Su funcionamiento está sujeto a las dos condiciones siguientes: (1) Este dispositivo no deberá causar interferencias perjudiciales, y (2) deberá aceptar cualquier interferencia que reciba, incluyendo interferencias que puedan causar un funcionamiento no deseado.

PARTE RESPONSABLE:

SHARP ELECTRONICS CORPORATION

100 Paragon Drive Suite #100

Montvale, NJ 07645 USA

Para clientes de negocios: URL <http://siica.sharpusha.com/>

Radio inalámbrico

Para los productos disponibles en el mercado de EE. UU. y Canadá, solo se pueden utilizar los canales 1–11. No es posible seleccionar otros canales. Este dispositivo funcionará en un rango de frecuencia de 2,412 GHz a 2,462 GHz
El dispositivo podría interrumpir automáticamente la transmisión en caso de ausencia de información para transmitir o falla operativa.

Tenga en cuenta que esto no pretende prohibir la transmisión de información de control o señalización o el uso de códigos repetitivos cuando así lo requiera la tecnología.

Importante: Cualquier cambio o modificación no aprobado expresamente por la parte responsable del cumplimiento podría anular la autoridad del usuario para operar el equipo.

Declaración de exposición a la radiación de la FCC: Este equipo cumple con los límites de exposición a la radiación de la FCC establecidos para un entorno no controlado. Este equipo debe instalarse y utilizarse con una distancia mínima de 20 cm entre el radiador y su cuerpo.

Declaración de exposición a la radiación de IC: Este dispositivo cumple con las reglas IC RSS-210; El funcionamiento está sujeto a las dos condiciones siguientes:

(1) Este dispositivo no puede causar interferencias dañinas y (2) este dispositivo debe aceptar la interferencia recibida, incluidas las interferencias que puedan causar un funcionamiento no deseado.

Declaración industrial de Canadá

Este aparato digital de Clase A cumple con CAN ICES-003 (A) / NMB-3 (A)

"Nota para el instalador del sistema CATV: Este recordatorio se proporciona para llamar la atención del instalador del sistema CATV sobre el Artículo 820 del Código Eléctrico Nacional que proporciona pautas para una conexión a tierra adecuada y, en particular, especifica que la tierra del cable debe conectarse al sistema de conexión a tierra de el edificio, lo más cerca posible del punto de entrada de cables".

NOTA

Este equipo fue probado y cumple con los límites para un dispositivo digital de clase A, conforme a la Parte 15 de las normas FCC. Estos límites fueron diseñados para proporcionar una protección razonable contra interferencias perjudiciales cuando el equipo funcione en un entorno comercial. Este equipo genera, usa y puede irradiar energía de radiofrecuencia y, si no se instala y usa de acuerdo con el manual de instrucciones, puede provocar interferencias perjudiciales para las comunicaciones de radio. El funcionamiento de este equipo en una zona residencial es probable que cause interferencias perjudiciales en cuyo caso el usuario tendrá que corregir la interferencia a su costa.

INFORMACIÓN:

No hay ninguna garantía de que no se produzcan interferencias en una instalación particular. Si este equipo causa interferencias perjudiciales en las recepciones de radio o televisión, lo que puede determinarse fácilmente apagando y encendiendo el equipo, al usuario se le recomienda corregir la interferencia tomando una o más de las medidas siguientes:

- Cambie la orientación o el lugar de instalación de la antena receptora.
- Aumente la separación entre el equipo y el receptor.
- Conecte el equipo a una toma de corriente de un circuito diferente del aquel al que está conectado el receptor.
- Consulte al concesionario o técnico de radio/televisión calificado para solicitar su ayuda.

Certificaciones y Cumplimiento

FCC

Este dispositivo cumple con el Apartado 15 de las Normas FCC. Su funcionamiento está sujeto a las dos condiciones siguientes:

(1) Este dispositivo no deberá causar interferencias perjudiciales, y (2) deberá aceptar cualquier interferencia que reciba, incluyendo interferencias que puedan causar un funcionamiento no deseado. Cualquier cambio o modificación no aprobado expresamente por la parte responsable de la conformidad podría anular la autorización del usuario para utilizar el equipo. Para cumplir con los requisitos de exposición a radiofrecuencias de la FCC, este dispositivo y su antena no deben colocarse ni funcionar en conjunción con ninguna otra antena o transmisor.

IFETEL

Este equipo funciona de forma secundaria, consecuentemente, debe aceptar una interferencias perjudiciales incluyendo equipos de la misma clase y puede no causar interferencias a sistemas operando de forma primaria.

CONTIENE MÓDULO TRANSMISOR

Marca: Foxconn

Modelo: WBU063-VZ

Administración de energía

Modo	Consumo de energía					
	4P-B43EJ2U	4P-B50EJ2U	4P-B55EJ2U	4P-B65EJ2U	4P-B75EJ2U	4P-B86EJ2U
• Capacidad de operación	≤ 98 W	≤ 130 W	≤ 130 W	≤ 180 W	≤ 300 W	≤ 380 W
• Espera	≤ 1 W	≤ 1 W	≤ 1 W	≤ 1 W	≤ 1 W	≤ 1 W
• Fuente de Energía	120 V ~ 60 Hz	120 V ~ 60 Hz	120 V ~ 60 Hz	120 V ~ 60 Hz	120 V ~ 60 Hz	120 V ~ 60 Hz

AVISO IMPORTANTE PARA MÉXICO

La *operación* de este equipo esta sujeta a las siguientes dos condiciones: (1) es posible que este equipo o dispositivo no cause interferencia perjudicial y (2) este equipo o dispositivo debe aceptar cualquier interferencia, incluyendo la que pueda causar la operación no deseada.

Para consultar la información relacionada al numero de certificado, referirse a la etiqueta del empaque y/o del producto, o al manual electrónico que se encuentra en el menu de aplicaciones de su televisor.

Nota: Este dispositivo contiene módulo transmisor:

MÓDULO USB PARA RED

Marca: Foxconn

Modelo: WBU063-VZ

SHARP[®]
SHARP CORPORATION