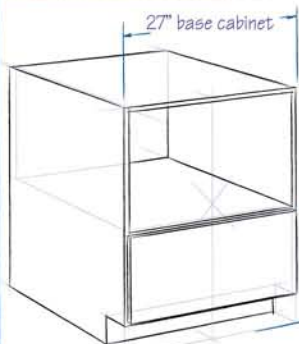


Installation TIPS: 24" Sharp Microwave Drawer® in 27" wide stock cabinet

For frameless style cabinets

* Please refer to the installation manual for more information regarding product safety and proper installation procedures and requirements.

PLANNING

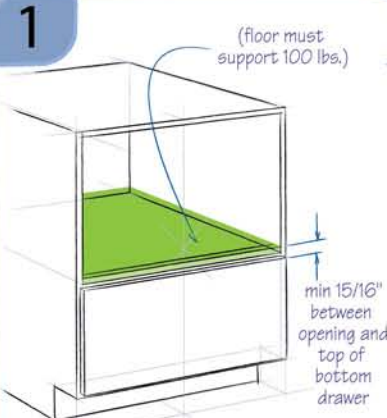


Example Shown:

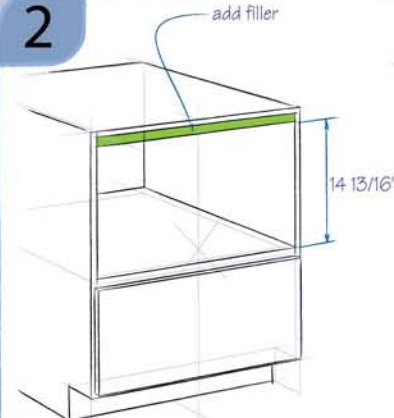
- Base Microwave Cabinet 34 1/2" H with Deep Bottom Drawer.
- Design and availability vary by cabinet manufacturer.
- Installation requires a pre-finished filler.

*From floor to top of bottom drawer/doors: 18 5/16" max

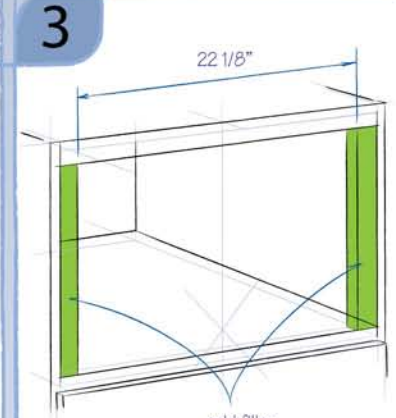
*Dimension allows for 1/4" gap between the Microwave Drawer and the countertop and 1/2" gap between the bottom of the Microwave Drawer and the top of the lower drawer/door.



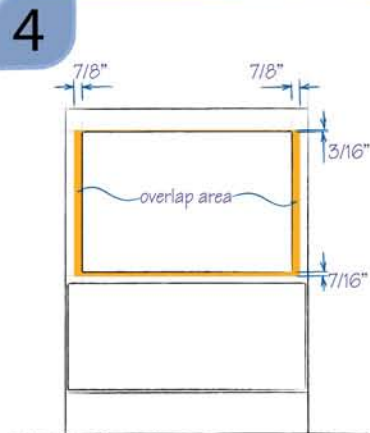
Cabinet floor may need to be raised to allow for product overlap and space above drawer.



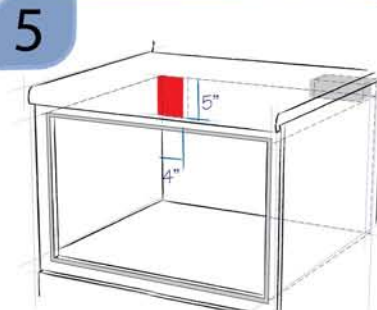
Add horizontal filler to the top of the opening. Height of opening should be 14 13/16".



Add vertical fillers to the opening width. The width of the opening should be 22 1/8".

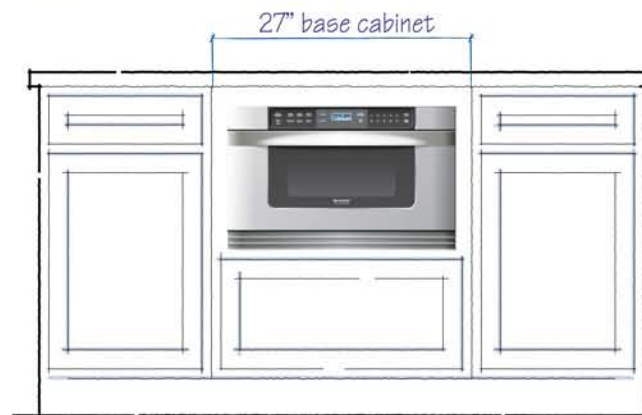


Allow space around opening for product overlap.



Place electrical outlet in upper-back left side of opening. Electrical outlet can also be placed in an adjacent cabinet. Always check electrical codes for requirements. Proceed to Installation Instructions to install Drawer into cabinet.

Completed installation



SHARP.

