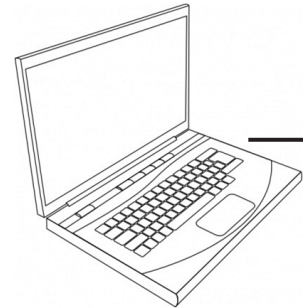
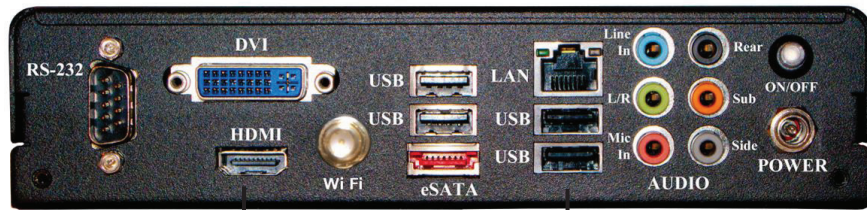


PN-TPCi7W7 with pre-installed Sharp Pen Software™

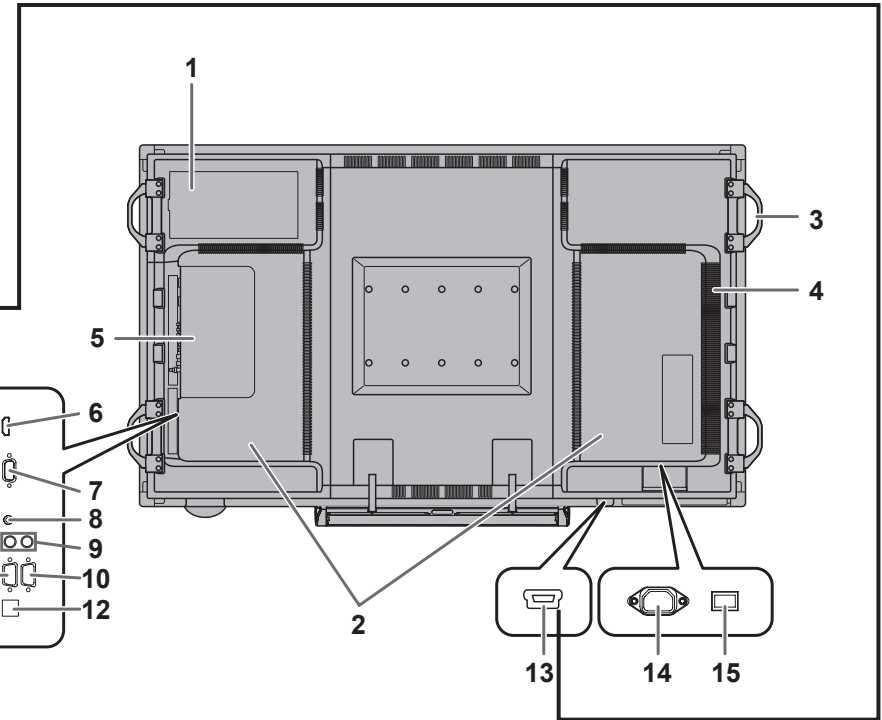
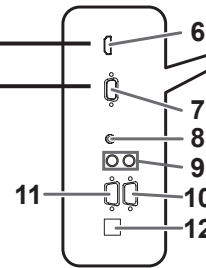


Optional User Provided PC
(alternative presentation source)

USB Cable (included)

HDMI® Cable (included)

Optional VGA Cable



1. Optional attachment section

This section is used to connect optional hardware for function expansion. Offering this attachment location is not a guarantee that future compatible hardware attachments will be released.

2. Speakers

3. Handles

4. Vents

5. Expansion terminal cover

Additional input/output terminals are available by attaching the PN-ZB01 interface expansion board (optional).

6. PC/AV HDMI input terminal

7. PC D-sub input terminal

8. Audio input terminal

9. Audio output terminals

10. RS-232C output terminal

11. RS-232C input terminal

12. Optional terminal

This terminal is provided for possible future (optional) function expansion. Offering of this terminal is not a guarantee that future expanded functionality will be provided.

13. USB port

14. AC input terminal

15. Main power switch