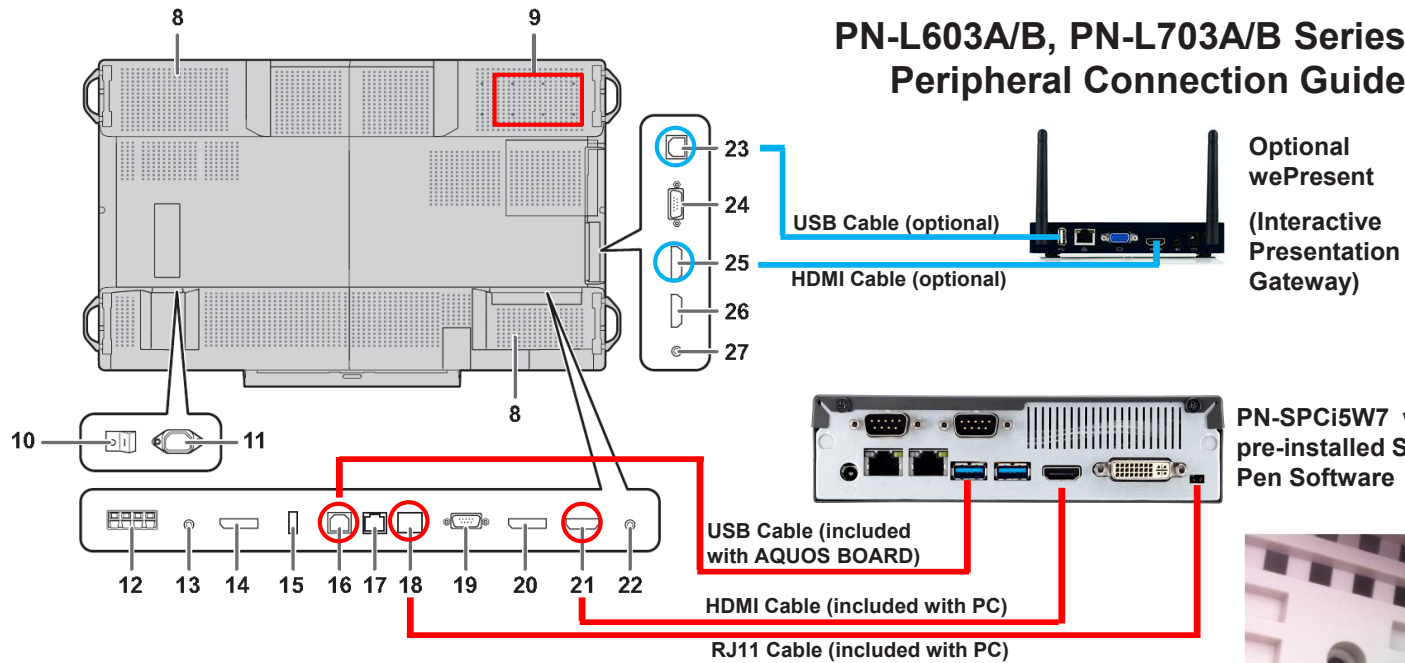


PN-L603A/B, PN-L703A/B Series Peripheral Connection Guide



Optional
wePresent
(Interactive
Presentation
Gateway)

PN-SPCi5W7 with
pre-installed Sharp
Pen Software



Cable direction to insert

8. Vents

9. PN-SPCi5W7 Mounting Location

- 10. Main power switch (See page 17.)
- 11. AC input terminal (See page 14.)
- 12. External speaker terminals (See page 13.)
- 13. Audio output terminal (See page 13.)
- 14. DisplayPort output terminal (See page 13.)
- 15. Touch pen adapter port (See page 19.)
- 16. USB 1 port (See page 13.)
- 17. LAN terminal (See page 13.)
- 18. RJ-11 Port for PN-SPCi5W7

- 19. D-sub 1 input terminal (See page 12.)
- 20. DisplayPort input terminal (See page 12.)
- 21. HDMI 1 input terminal (See page 12.)
- 22. Audio 1 input terminal (See page 13.)
- 23. USB 2 port (See page 13.)
- 24. D-sub 2 input terminal (See page 12.)
- 25. HDMI 2 input terminal (See page 12.)
- 26. HDMI 3 input terminal (See page 12.)
- 27. Audio 2 input terminal (See page 13.)

* Page numbers refer to Operation Manual

