

SHARP®

MODEL: MX-4100N
MX-4101N
MX-5001N

DIGITAL FULL COLOR MULTIFUNCTIONAL SYSTEM

Safety Guide

Before installing this product, be sure to read the "CAUTIONS" and "INSTALLATION REQUIREMENTS" sections.

CAUTIONS

INSTALLATION REQUIREMENTS

SUPPLIES

SPECIFICATIONS

TO THE ADMINISTRATOR OF THE MACHINE

Keep this manual close at hand for reference whenever needed.

Each instruction also covers the optional units used with these products.

Caution!

For complete electrical disconnection, pull out the main plug.

The socket-outlet shall be installed near the equipment and shall be easily accessible.

To reduce the risk of fire, use only UL-Listed No.26 AWG or larger telecommunication line cord.

FAX interface cable and Line cable:

These special accessories must be used with the device.

FOR YOUR RECORDS ...

To protect against loss or theft, record and retain for reference the machine's serial number located at the lower left corner of the left side of the machine.

Model Number _____

Serial Number _____

Date of Purchase _____

Place of Purchase _____

Authorized Sharp Printer _____

Service Department Number _____

Notice for Users in U.S.A.

EMC (this machine and peripheral devices)

WARNING:

FCC Regulations state that any unauthorized changes or modifications to this equipment not expressly approved by the manufacturer could void the user's authority to operate this equipment.

Shielded interface cables must be used with this equipment to maintain compliance with EMC regulations.

NOTE:

This equipment has been tested and found to comply with the limits for a Class A digital device, pursuant to Part 15 of the FCC Rules. These limits are designed to provide reasonable protection against harmful interference when the equipment is operated in a commercial environment. This equipment generates, uses, and can radiate radio frequency energy and, if not installed and used in accordance with the instruction manual, may cause harmful interference to radio communications. Operation of this equipment in a residential area is likely to cause harmful interference in which case the user will be required to correct the interference at his own expense.

This machine contains the software having modules developed by Independent JPEG Group.

This product includes Adobe® Flash® technology of Adobe Systems Incorporated.
Copyright© 1995-2007 Adobe Macromedia Software LLC. All rights reserved.

Contents

CAUTIONS	2	Large capacity tray specifications	11
Laser information	3	Finisher specifications	12
INSTALLATION REQUIREMENTS	4	Finisher (large stacker)	13
SUPPLIES	5	Saddle stitch finisher specifications	14
Storage of supplies	5	Punch module specifications (for finisher)	15
Supply of spare parts and consumables	5	Punch module specifications (for saddle stitch finisher)	15
SPECIFICATIONS	6	Printer specifications	16
Machine specifications / copier specifications	6	Network scanner / Internet Fax specifications	17
Continuous copying speeds	8	Pull scan function (TWAIN) specifications	17
Ambient environment	8	Facsimile specifications	18
Acoustic noise emission (measurement according to ISO7779)	9	TO THE ADMINISTRATOR OF THE MACHINE	20
Automatic document feeder specifications	9	Factory default passwords	20
Exit tray unit (right tray) specifications	10	Forwarding all transmitted and received data to the administrator (document administration function)	20
Stand/1x500 sheet paper drawer specifications	10	For the users of the fax function	21
Stand/2x500 sheet paper drawer specifications	11	Trademark acknowledgments	25

Note:

- Considerable care has been taken in preparing this manual. If you have any comments or concerns about the manual, please contact your dealer or nearest SHARP Service Department.
- This product has undergone strict quality control and inspection procedures. In the unlikely event that a defect or other problem is discovered, please contact your dealer or nearest SHARP Service Department.
- Aside from instances provided for by law, SHARP is not responsible for failures occurring during the use of the product or its options, or failures due to incorrect operation of the product and its options, or other failures, or for any damage that occurs due to use of the product.



Products that have earned the ENERGY STAR® are designed to protect the environment through superior energy efficiency.

Warranty

While every effort has been made to make this document as accurate and helpful as possible, SHARP Corporation makes no warranty of any kind with regard to its content. All information included herein is subject to change without notice. SHARP is not responsible for any loss or damages, direct or indirect, arising from or related to the use of this operation manual.

©Copyright SHARP Corporation 2008. All rights reserved. Reproduction, adaptation or translation without prior written permission is prohibited, except as allowed under copyright laws.

CAUTIONS

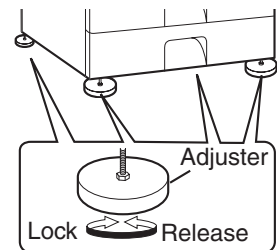
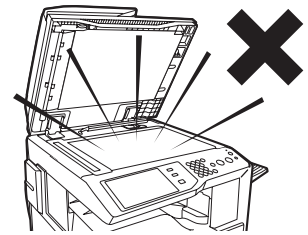
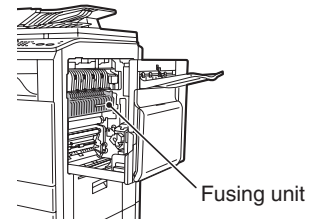
1. Do not touch the transfer belt. Scratches or smudges on the transfer belt will cause dirty prints.
2. The fusing unit is extremely hot. Exercise care in this area.
3. Do not look directly at the light source. Doing so may damage your eyes.
4. When the machine is installed, the adjusters (4) must be lowered to the floor to secure the machine (prevent it from moving).

Rotate the adjusters in the locking direction until they are in firm contact with the floor.

If you find it necessary to reposition the machine due to rearrangement of your office layout or other reason, retract the adjusters from the floor, turn off the power, and then move the machine.

(After moving the machine, lower the adjusters again to secure the machine.)

5. Do not make any modifications to this machine. Doing so may result in personal injury or damage to the machine.
6. The machine is heavy. To prevent injury when moving the machine, it is recommended that it be moved by four or more persons.
7. Do not make copies of anything which is prohibited from copying by law. The following items are normally prohibited from printing by national law. Other items may be prohibited by local law.
 - Money • Stamps • Bonds • Stocks
 - Bank drafts • Checks • Passports • Driver's licenses
8. Do not use a flammable spray to clean the machine. If gas from the spray comes in contact with hot electrical components or the fusing unit inside the machine, fire or electrical shock may result.
9. Do not throw toner, a toner container (toner cartridge), or a waste toner box into a fire. Toner may fly and cause burns.
10. Store toner, toner containers (toner cartridges), and waste toner boxes out of the reach of children.



The machine includes the document filing function, which stores document image data on the machine's hard drive. Stored documents can be called up and printed or transmitted as needed. If a hard drive failure occurs, it will no longer be possible to call up the stored document data. To prevent the loss of important documents in the unlikely event of a hard drive failure, keep the originals of important documents or store the original data elsewhere.

With the exception of instances provided for by law, Sharp Corporation bears no responsibility for any damages or loss due to the loss of stored document data.

"BATTERY DISPOSAL"

THIS PRODUCT CONTAINS A LITHIUM PRIMARY MEMORY BACK-UP BATTERY THAT MUST BE DISPOSED OF PROPERLY. PLEASE CONTACT YOUR LOCAL SHARP DEALER OR AUTHORIZED SERVICE REPRESENTATIVE FOR ASSISTANCE IN DISPOSING OF THIS BATTERY.

This product utilizes a CR coin Lithium battery which contains a Perchlorate material. Special handling for this material may apply, California residents, See www.dtsc.ca.gov/hazardouswaste/perchlorate/ Others, consult local environmental officers.

This product utilizes tin-lead solder, and fluorescent lamp containing a small amount of mercury. Disposal of these materials may be regulated due to environmental consideration. For disposal or recycling information, please contact your local authorities, the Electronics Industries Alliance: www.eiae.org, the lamp recycling organization: www.lamprecycle.org or Sharp at 1-800-BE-SHARP. (For U.S.A. Only)

Laser information

Wave length	790 nm ±10 nm
Pulse times (North America and Europe)	MX-4100N/4101N: 3.5 μs ±3.5 ns /7 mm Heavy paper 3.2μs ±3.2 ns /7 mm MX-5001N: 2.8 μs ±2.8 ns /7 mm Heavy paper 3.2μs ±3.2 ns /7 mm
Output power	Max 0.6 mW (LD1+ LD2)

Caution

Use of controls or adjustments or performance of procedures other than those specified herein may result in hazardous radiation exposure.

This Digital Equipment is CLASS 1 LASER PRODUCT (IEC 60825-1 Edition 1.2-2001)

For North America:

SAFETY PRECAUTIONS

This Digital Equipment is rated Class 1 and complies with 21 CFR 1040.10 and 1040.11 of the CDRH standards. This means that the equipment does not produce hazardous laser radiation. For your safety, observe the precautions below.

- Do not remove the cabinet, operation panel or any other covers.
- The equipment's exterior covers contain several safety interlock switches. Do not bypass any safety interlock by inserting wedges or other items into switch slots.

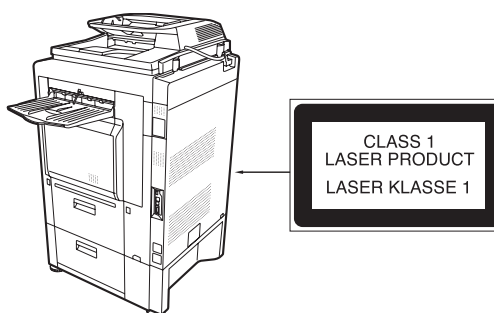
For Europe:

CLASS 1 LASER PRODUCT

LASER KLASSE 1

LUOKAN 1 LASERLAITE

KLASS 1 LASERAPPARAT



INSTALLATION REQUIREMENTS

Improper installation may damage this product. Please note the following during initial installation and whenever the machine is moved.

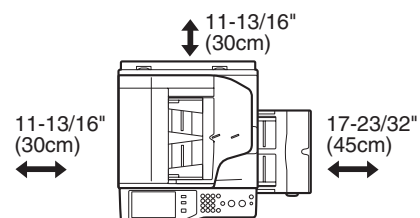
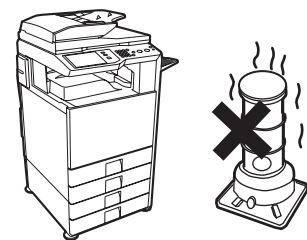
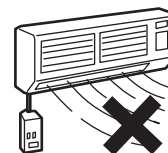
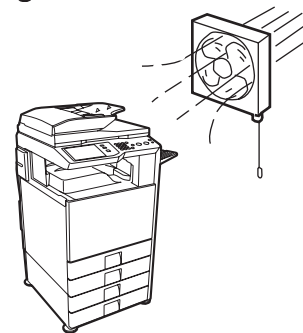
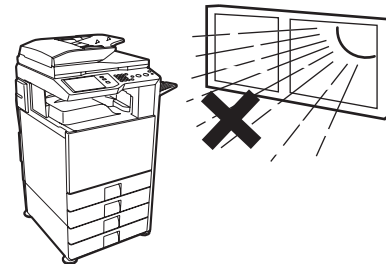
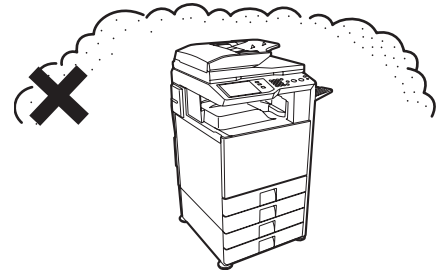
1. The machine should be installed near an accessible power outlet for easy connection.
2. Be sure to connect the power cord only to a power outlet that meets the specified voltage and current requirements. Also make certain the outlet is properly grounded.
 - For the power supply requirements, see the name plate in the lower left corner of the left side of the machine.

Connect the machine to a power outlet which is not used for other electric appliances. If a lighting fixture is connected to the same outlet, the light may flicker.

3. Do not install the machine in areas that are:
 - damp, humid, or very dusty
 - exposed to direct sunlight
 - poorly ventilated
 - subject to extreme temperature or humidity changes, e.g., near an air conditioner or heater.

4. Be sure to allow the required space around the machine for servicing and proper ventilation.

5. The machine includes a built-in hard drive. Do not subject the machine to shock or vibration. In particular, never move the machine while the power is on.



A small amount of ozone is produced within the printer during operation. The emission level is insufficient to cause any health hazard.

NOTE:


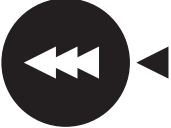
The present recommended long term exposure limit for ozone is 0.1 ppm (0.2 mg/m³) calculated as an 8 hr. time-weighted average concentration.

However, since the small amount that is emitted may have an objectionable odor, it is advisable to place the copier in a ventilated area.

SUPPLIES

Standard supplies for this product that can be replaced by the user include paper, toner cartridges, and staple cartridges for the finisher.

Be sure to use only SHARP-specified products for the toner cartridges, finisher staple cartridge, saddle stitch finisher staple cartridge, and transparency film.

 <p>SHARP</p>  <p>GENUINE SUPPLIES</p>	<p>For best copying results, be sure to use only Sharp Genuine Supplies which are designed, engineered, and tested to maximize the life and performance of Sharp products. Look for the Genuine Supplies label on the toner package.</p>
--	--

Storage of supplies

Proper storage

1. Store the supplies in a location that is:
 - clean and dry,
 - at a stable temperature,
 - not exposed to direct sunlight.
2. Store paper in the wrapper and lying flat.
3. Paper stored in packages standing up or out of the wrapper may curl or become damp, resulting in paper misfeeds.

Storing toner cartridges

Store a new toner cartridge box horizontally. Do not store it standing on end. If stored standing on end, the toner may not distribute well even after shaking the cartridge vigorously, and will remain inside the cartridge without flowing out.

Staple cartridge

The finisher and saddle stitch finisher require the following staple cartridge:

MX-SCX1 (for finisher and saddle stitch finisher)
Approx. 5000 per cartridge x 3 cartridges

AR-SC2 (for finisher (large stacker))
Approx. 5000 per cartridge x 3 cartridges

AR-SC3 (for saddle stitch finisher only)
Approx. 2000 per cartridge x 3 cartridges

Supply of spare parts and consumables

The supply of spare parts for repair of the machine is guaranteed for at least 7 years following the termination of production. Spare parts are those parts of the machine which may break down within the scope of the ordinary use of the product, whereas those parts which normally exceed the life of the product are not to be considered as spare parts. Consumables too, are available for 7 years following the termination of production.

SPECIFICATIONS

Machine specifications / copier specifications

Name	Digital Full Color Multifunctional System MX-4100N/MX-4101N/MX-5001N	
Type	Desktop	
Photoconductive type	OPC drum	
Printing method	Electrophotographic system (laser)	
Developer system	Dry-type two-component magnetic brush development	
Fusing system	Heat rollers	
Scanning resolution	Document glass	Black and white scanning: 600 x 300 dpi (factory default values), 600 x 400 dpi, 600 x 600 dpi Color scanning: 600 x 600 dpi (factory default values)
	Reversing single pass feeder (automatic document feeder)	Black and white scanning: 600 x 400 dpi (factory default values), 600 x 600 dpi Color scanning: 600 x 600 dpi (factory default values)
Printing resolution	600 x 600 dpi	
Scanning gradation	256 levels	
Printing gradation	Equivalent to 256 levels	
Original sizes / types	Max. 11" x 17" (A3) / sheets, bound documents	
Copy sizes	Maximum: 12" x 18" (A3W) Minimum: 5-1/4" x 5-3/4" (A5R)	
Print margins	Leading edge / trailing edge: total 21/64" (8 mm) or less, near edge / far edge: total 11/64" ±3/32" (4 mm ±2 mm) or less	
Warm-up time	MX-4100N/MX-4101N: 120 seconds or less MX-5001N: 140 seconds or less (at room temperature of 73.4°F (23°C) and rated voltage)	
First-copy time*	MX-4100N/MX-4101N Color copy time: 6.7 seconds or less Black and white copy time: 4.7 seconds or less MX-5001N Color copy time: 5.9 seconds or less Black and white copy time: 4.1 seconds or less (Portrait feeding of 8-1/2" x 11" (A4) sheets from 1st paper tray, without auto color selection and auto color mode. Excluding the first page output after the power is turned on.)	
Copy ratios	Variable: 25% to 400% in increments of 1%, total 376 increments (25% to 200% when the automatic document feeder is used) Fixed presets: 25%, 50%, 64%, 77%, 100%, 121%, 129%, 200% and 400% for inch sizes; 25%, 50%, 70%, 81%, 86%, 100%, 115%, 122%, 141%, 200% and 400% for AB sizes. Two reduction ratios and two enlargement ratios can be stored.	
Continuous copy	999 copies	
Automatic document feeder	See "Automatic document feeder specifications".	
Tray 1 / Tray 2	Paper sizes: 11" x 17", 8-1/2" x 14", 8-1/2" x 13-1/2", 8-1/2" x 13-2/5", 8-1/2" x 13", 8-1/2" x 11", 8-1/2" x 11"R, 7-1/4" x 10-1/2"R, 5-1/2" x 8-1/2"R, A3, B4, A4, A4R, B5, B5R, A5R, 8K, 16K, 16KR Paper weight: Plain paper (16 lbs. to 28 lbs. (60 g/m ² to 105 g/m ²)), heavy paper (28 lbs. bond to 110 lbs. index (106 g/m ² to 209 g/m ²)) Paper capacity: Plain paper (21 lbs. (80 g/m ²)) 500 sheets, heavy paper 200 sheets Paper types: SHARP-recommended plain paper, recycled paper, colored paper, and heavy paper	

* First copy out time is measured with original on the document glass in full ready condition with fuser at operating temperature and mirror motor at operating speed in each of black and white mode and color mode, actual time may vary based on environment conditions.

Machine specifications / copier specifications (Continued)

Bypass tray	Paper sizes: 12" x 18", 11" x 17", 8-1/2" x 14", 8-1/2" x 13-1/2", 8-1/2" x 13-2/5", 8-1/2" x 13", 8-1/2" x 11", 8-1/2" x 11"R, 7-1/4" x 10-1/2"R, 5-1/2" x 8-1/2"R, envelopes, A3W, A3, B4, A4, A4R, B5, B5R, A5R, 8K, 16K, 16KR (Includes automatic paper size detection function. Entry of paper sizes up to 11-5/8" x 17" (297 mm x 432 mm) is possible.)
	Paper weights: Thin paper (15 lbs. to 16 lbs. (55 g/m ² to 59 g/m ²)), plain paper (16 lbs. to 28 lbs. (60 g/m ² to 105 g/m ²)), heavy paper (28 lbs. bond to 140 lbs. index (106 g/m ² to 256 g/m ²)), envelopes (20 lbs. to 24 lbs. (75 g/m ² to 90 g/m ²))
	Paper capacity: Standard paper 100 sheets
	Paper types: SHARP-recommended plain paper, recycled paper, colored paper, heavy paper, thin paper, transparency film, envelopes (Monarch, Com-10, DL, C5)
Duplex module	Paper sizes: 11" x 17", 8-1/2" x 14", 8-1/2" x 13", 8-1/2" x 11", 8-1/2" x 11"R, 5-1/2" x 8-1/2"R, A3, B4, A4, A4R, B5, B5R, A5R, 8K, 16K, 16KR Paper weight: Plain paper (16 lbs. to 28 lbs. (60 g/m ² to 105 g/m ²)), heavy paper (28 lbs. bond to 110 lbs. index (106 g/m ² to 209 g/m ²)) Paper types: SHARP-recommended plain paper, recycled paper, colored paper, and heavy paper
Output tray (Center tray)*1	Output method: Face-down output (12" x 18" and A3W paper can be output to right tray, finisher, or saddle stitch finisher) Output capacity: 500 sheets (using SHARP-recommended 8-1/2" x 11" or A4 paper) (The maximum number of sheets that can be held varies depending on ambient conditions in the installation location, the type of paper, and the storage conditions of the paper.) Tray full sensor: Yes
Interface port	LAN connectivity: 10Base-T / 100Base-TX / 1000Base-T USB connectivity: Type A connector supports USB 2.0 (Hi speed)*2 Compatibility requirements of USB memory Memory capacity : Max. 32 GB Disk Format : FAT32 only Type B connector supports USB 2.0 (Hi speed)
Required power supply	AC 120 V ±10% 60 Hz
Power consumption	MX-4100N/MX4101N: 1.44kW MX-5001N: 1.92kW
Typical electricity consumption	MX-4100N: 12.95 kWh/week MX-4101N: 13.68 kWh/week MX-5001N: 13.89 kWh/week
Dimensions	MX-4100N: 25-25/64" (W) x 27-3/8" (D) x 37-25/64" (H) (645 mm (W) x 695 mm (D) x 950 mm (H)) MX-4101N/5001N: 25-25/64" (W) x 27-3/8" (D) x 37-51/64" (H) (645 mm (W) x 695 mm (D) x 960 mm (H))
Weight	MX-4100N: Approx. 262.4 lbs. (119 kg) MX-4101N/5001N: Approx. 282.2 lbs. (128 kg)
Overall dimensions	39-11/64" (W) x 27-3/8" (D) (995 mm (W) x 695 mm (D)) (when bypass tray is extended)

*1 Output tray (Center tray) cannot be used when the finisher or saddle stitch finisher is installed.

*2 Type A connectors are located on the front of the machine and on the right side of the machine at the back (total of two connectors); however, the connectors cannot be used simultaneously. Only one of the connectors can be used.

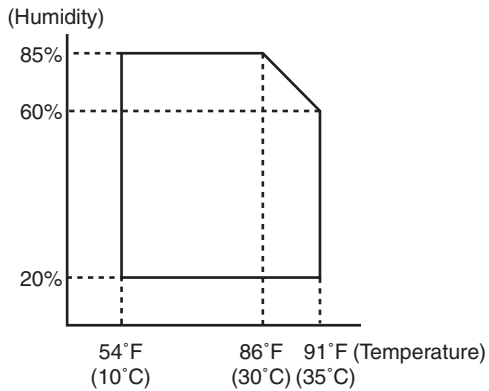
SPECIFICATIONS

Continuous copying speeds*

Model	MX-4100N/MX-4101N		MX-5001N	
Copy ratio	100% / Reduced / Enlarged			
Copy mode	Color copying	Black and white copying	Color copying	Black and white copying
11" x 17", A3, 8K	19 copies/min.	19 copies/min.	22 copies/min.	22 copies/min.
8-1/2" x 14", 8-1/2" x 13", B4	22 copies/min.	22 copies/min.	25 copies/min.	25 copies/min.
8-1/2" x 11", A4, B5, 16K	41 copies/min.	41 copies/min.	50 copies/min.	50 copies/min.
8-1/2" x 11"R, 7-1/4" x 10-1/2"R, A4R, B5R, 16KR	26 copies/min.	26 copies/min.	30 copies/min.	30 copies/min.
5-1/2" x 8-1/2"R, A5R	29 copies/min.	29 copies/min.	32 copies/min.	32 copies/min.

* Copy speed during output of the second copy and following copies when performing continuous one-sided copying of the same page (excluding offset output) using plain one-sided paper from a tray other than the bypass tray.

Ambient environment



Acoustic noise emission (measurement according to ISO7779)

		MX-4100N/MX-4101N	MX-5001N
Sound power level L _{WA}			
Printing mode (continuous printing)		Color: 6.8B Black and white: 6.9B	Color: 7.0B Black and white: 7.0B
Standby mode		5.1 B	5.3 B
Sound pressure level L _{pA} (actual measurement)			
Printing mode	Bystander positions	Color: 53 dB (A) Black and white: 53 dB (A)	Color: 54 dB (A) Black and white: 53 dB (A)
	Operator positions	Color: 53 dB (A) Black and white: 52 dB (A)	Color: 52 dB (A) Black and white: 52 dB (A)
Standby mode	Bystander positions	36 dB (A)	38 dB (A)
	Operator positions	35 dB (A)	37 dB (A)

Automatic document feeder specifications

Model	MX-4100N	MX-4101N/MX-5001N
Original sizes	11" x 17" to 5-1/2" x 8-1/2", A3 to A5, long paper (max. width 11-5/8" (297 mm) x max. length 39-23/64"* ¹ (1000 mm), scanning in mono 2 mode of one side only is possible in fax and image scan modes)	
Original weight	One-sided 9 lbs. to 32 lbs.* ² . (35 g/m ² to 128 g/m ²) Two-sided 13 lbs. to 28 lbs. (50 g/m ² to 105 g/m ²)	One-sided 9 lbs. to 32 lbs. (35 g/m ² to 128 g/m ²) Two-sided 13 lbs. to 32 lbs. (50 g/m ² to 128 g/m ²)
Capacity	100 sheets (21 lbs. (80 g/m ²)) Maximum stack height of 33/64" (13 mm)	150 sheets (21 lbs. (80 g/m ²)) Maximum stack height of 33/64" (13 mm)

*¹ Scanning in mono 2 mode of one side only is possible in fax and scan send modes. However, when the resolution is 600 x 600 dpi in Internet fax mode, the maximum length is 31-31/64" (800 mm). When the resolution is 400 x 400 dpi or 600 x 600 dpi in scan mode, a long original cannot be scanned.

*² Paper weights from 9 lbs. (35 g/m²) to 13 lbs. (49 g/m²) require the use of slow scan mode.

SPECIFICATIONS

Exit tray unit (right tray) specifications

Model	MX-TRX2
Output method	Face-down output
Output capacity	100 sheets (using SHARP-recommended 8-1/2" x 11" or A4 paper)
Dimensions	When tray is folded up: 11-3/8" (W) x 15-61/64" (D) x 2-3/64" (H) (289 mm (W) x 405 mm (D) x 52 mm (H)) When tray is extended: 16-1/2" (W) x 15-61/64" (D) x 2-3/64" (H) (419 mm (W) x 405 mm (D) x 52 mm (H))
Weight	Approx. 2 lbs. (0.93 kg)

* The maximum number of sheets that can be held varies depending on ambient conditions in the installation location, the type of paper, and the storage conditions of the paper. Envelopes, tab paper, and glossy paper cannot be output.

Stand/1x500 sheet paper drawer specifications

Model	MX-DEX8
Paper sizes	11" x 17", 8-1/2" x 14", 8-1/2" x 13-1/2", 8-1/2" x 13-2/5", 8-1/2" x 13", 8-1/2" x 11", 8-1/2" x 11"R, 7-1/4" x 10-1/2"R, A3, B4, A4, A4R, B5, B5R, 8K, 16K, 16KR
Paper weight	Plain paper (16 lbs. to 28 lbs. (60 g/m ² to 105 g/m ²)), heavy paper (28 lbs. bond to 110 lbs. index (106 g/m ² to 209 g/m ²))
Paper capacity	500 sheets (21 lbs. (80 g/m ²)) x 1 tray
Paper types	SHARP-recommended plain paper, recycled paper, and colored paper
Automatic paper size detection	When "Auto-Inch" detection is selected: 11" x 17", 8-1/2" x 14", 8-1/2" x 11", 8-1/2" x 11"R, 7-1/4" x 10-1/2"R When "Auto-AB" detection is selected: A3, B4, A4, A4R, B5, B5R, 216 mm x 330 mm (8-1/2" x 13")
Power supply	Supplied from the machine
Dimensions	28-11/32" (W) x 26-3/8" (D) x 11-15/16" (H) (720 mm (W) x 670 mm (D) x 303 mm (H)) (including adjuster)
Weight	Approx. 44.1 lbs. (20 kg)

Stand/2x500 sheet paper drawer specifications

Model	MX-DEX9
Paper sizes	11" x 17", 8-1/2" x 14", 8-1/2" x 13-1/2", 8-1/2" x 13-2/5", 8-1/2" x 13", 8-1/2" x 11", 8-1/2" x 11"R, 7-1/4" x 10-1/2"R, A3, B4, A4, A4R, B5, B5R, 8K, 16K, 16KR
Paper weight	Plain paper (16 lbs. to 28 lbs. (60 g/m ² to 105 g/m ²)), heavy paper (28 lbs. bond to 110 lbs. index (106 g/m ² to 209 g/m ²))
Paper capacity	500 sheets (21 lbs. (80 g/m ²)) x 2 tray
Paper types	SHARP-recommended plain paper, recycled paper, and colored paper
Automatic paper size detection	When "Auto-Inch" detection is selected: 11" x 17", 8-1/2" x 14", 8-1/2" x 11", 8-1/2" x 11"R, 7-1/4" x 10-1/2"R When "Auto-AB" detection is selected: A3, B4, A4, A4R, B5, B5R, 216 mm x 330 mm (8-1/2" x 13")
Power supply	Supplied from the machine
Dimensions	28-11/32" (W) x 26-3/8" (D) x 11-15/16" (H) (720 mm (W) x 670 mm (D) x 303 mm (H)) (including adjuster)
Weight	Approx. 51.9 lbs. (23.5 kg)

Large capacity tray specifications*

Model	MX-LCX1
Paper sizes	8-1/2" x 11", A4 (paper size change must be performed by a service technician)
Paper weight	Plain paper (16 lbs. to 28 lbs. (60 g/m ² to 105 g/m ²))
Paper capacity	3500 sheets (21 lbs. (80 g/m ²))
Paper types	SHARP-recommended plain paper, recycled paper, and colored paper
Power supply	Supplied from the machine
Dimensions	14-9/16" (W) x 21-21/32" (D) x 20-15/32" (H) (370 mm (W) x 550 mm (D) x 520 mm (H))
Weight	Approx. 63.9 lbs. (29 kg)

* A stand/1x500 sheet paper drawer or stand/2x500 sheet paper drawer is required to connect the large capacity tray to the machine.

SPECIFICATIONS

Finisher specifications

Model	MX-FNX9	
Paper sizes	12" x 18", 11" x 17", 8-1/2" x 14", 8-1/2" x 13-1/2", 8-1/2" x 13-2/5", 8-1/2" x 13", 8-1/2" x 11", 8-1/2" x 11"R, 7-1/4" x 10-1/2"R, 5-1/2" x 8-1/2"R, envelopes, A3W, A3, B4, A4, A4R, B5, B5R, A5R, 8K, 16K, 16KR	
Paper weight	Thin paper (15 lbs. to 16 lbs. (55 g/m ² to 59 g/m ²)) plain paper (16 lbs. to 28 lbs. (60 g/m ² to 105 g/m ²)) heavy paper (28 lbs. bond to 140 lbs. index (106 g/m ² to 256 g/m ²)) , envelopes (20 lbs. to 24 lbs. (75 g/m ² to 90 g/m ²))	
Modes	Non-staple, staple	
Allowed paper sizes for offset	11" x 17", 8-1/2" x 14", 8-1/2" x 13-1/2", 8-1/2" x 13-2/5", 8-1/2" x 13", 8-1/2" x 11", 8-1/2" x 11"R, A3, B4, A4, A4R, B5, 8K, 16K	
Offset distance	1-3/16" (30 mm)	
Tray capacity*1	Non-stapling*2: 500 sheets*3 (8-1/2" x 11", 8-1/2" x 11"R, 7-1/4" x 10-1/2"R, 5-1/2" x 8-1/2"R, A4, A4R, B5, B5R, A5R, 16K, 16KR) 250 sheets*4 (12" x 18", 11" x 17", 8-1/2" x 14", 8-1/2" x 13-1/2", 8-1/2" x 13-2/5", 8-1/2" x 13", A3W, A3, B4, 8K)	Stapling*5: 30 sets or 500 sheets*3 (8-1/2" x 11", 8-1/2" x 11"R, A4, A4R, B5, 16K, 16KR) 30 sets or 250 sheets*4 (11" x 17", 8-1/2" x 14", 8-1/2" x 13-1/2", 8-1/2" x 13-2/5", 8-1/2" x 13", A3, B4, 8K)
Power supply	Supplied from the machine	
Dimensions	25-3/16" (W) x 23-27/64" (D) x 8-5/64" (H) (640 mm (W) x 595 mm (D) x 205 mm (H)) (When tray is extended)	
Weight	Approx. 28.7 lbs. (13 kg)	
Stapler section		
Allowed paper sizes for stapling	11" x 17", 8-1/2" x 14", 8-1/2" x 13-1/2", 8-1/2" x 13-2/5", 8-1/2" x 13", 8-1/2" x 11", 8-1/2" x 11"R, A3, B4, A4, A4R, B5, 8K, 16K, 16KR (Three stapling positions: one staple at bottom left corner, one staple at top left corner, and two staples.)	
Maximum number of sheets for stapling*5	50 sheets (8-1/2" x 11", 8-1/2" x 11"R, A4, A4R, B5, 16K, 16KR) 30 sheets (11" x 17", 8-1/2" x 14", 8-1/2" x 13-1/2", 8-1/2" x 13-2/5", 8-1/2" x 13", A3, B4, 8K) (30 sheets when the sheets are the same width but different lengths.)	

*1 The maximum number of sheets that can be held varies depending on ambient conditions in the installation location, the type of paper, and the storage conditions of the paper.

*2 Up to 10 envelopes can be output.

*3 The height of the sheets must not exceed 2-51/64" (71 mm).

*4 The height of the sheets must not exceed 1-13/32" (35.5 mm).

*5 The maximum number of sheets for stapling assumes a paper weight of 24 lbs. (90 g/m²) and includes two cover sheets of 28 lbs. bond to 140 lbs. index (106 g/m² to 256 g/m²).

Note:

Special media such as transparency film and label sheets cannot be stapled or punched.

Finisher (large stacker) specifications*1

Model	MX-FN11	
Paper sizes	12" x 18", 11" x 17", 8-1/2" x 14", 8-1/2" x 13-1/2", 8-1/2" x 13-2/5", 8-1/2" x 13", 8-1/2" x 11", 8-1/2" x 11"R, 7-1/4" x 10-1/2"R, 5-1/2" x 8-1/2"R, envelopes, A3W, A3, B4, A4, A4R, B5, B5R, A5R, 8K, 16K, 16KR	
Paper weight	Thin paper (15 lbs. to 16 lbs. (55 g/m ² to 59 g/m ²)) plain paper (16 lbs. to 28 lbs. (60 g/m ² to 105 g/m ²)) heavy paper (28 lbs. bond to 140 lbs. index (106 g/m ² to 256 g/m ²)) , envelopes (20 lbs. to 24 lbs. (75 g/m ² to 90 g/m ²))	
Modes	Non-staple, staple	
Allowed paper sizes for offset	11" x 17", 8-1/2" x 14", 8-1/2" x 13-1/2", 8-1/2" x 13-2/5", 8-1/2" x 13", 8-1/2" x 11", 8-1/2" x 11"R, A3, B4, A4, A4R, B5, 8K, 16K	
Offset distance	1-3/16" (30 mm)	
Tray capacity*2	Upper tray	Non-stapling*3: 1550 sheets (8-1/2" x 11", 5-1/2" x 8-1/2"R, A4, B5, A5R, 16K) 650 sheets (12" x 18", 11" x 17", 8-1/2" x 14", 8-1/2" x 13-1/2", 8-1/2" x 13-2/5", 8-1/2" x 13", 8-1/2" x 11"R, 7-1/4" x 10-1/2"R, A3W, A3, B4, A4R, B5R, 8K, 16KR)
	Lower tray	Non-stapling*3: 2450 sheets (8-1/2" x 11", A4, B5, 16K) 1700 sheets (5-1/2" x 8-1/2"R, A5R) 650 sheets (12" x 18", 11" x 17", 8-1/2" x 14", 8-1/2" x 13-1/2", 8-1/2" x 13-2/5", 8-1/2" x 13", 8-1/2" x 11"R, 7-1/4" x 10-1/2", A3W, A3, B4, A4R, B5R, 8K, 16KR)
		Stapling*4: 100 sets or 1550 sheets (8-1/2" x 11", A4, B5, 16K) 50 sets or 650 sheets (11" x 17", 8-1/2" x 14", 8-1/2" x 13-1/2", 8-1/2" x 13-2/5", 8-1/2" x 13", 8-1/2" x 11"R, A3, B4, A4R, 8K)
Power supply	Supplied from the machine	
Dimensions	25-25/64" (W) x 25-25/64" (D) x 43-19/64" (H) (645 mm (W) x 645 mm (D) x 1100 mm (H)) (When tray is extended)	
Weight	Approx. 99.3 lbs. (45 kg)	
Stapler section		
Allowed paper sizes for stapling	11" x 17", 8-1/2" x 14", 8-1/2" x 13-1/2", 8-1/2" x 13-2/5", 8-1/2" x 13", 8-1/2" x 11", 8-1/2" x 11"R, A3, B4, A4, A4R, B5, 8K, 16K (Three stapling positions: one staple at bottom left corner, one staple at top left corner, and two staples.)	
Maximum number of sheets for stapling*5	50 sheets (8-1/2" x 11", A4, B5, 16K) 30 sheets (11" x 17", 8-1/2" x 14", 8-1/2" x 13-1/2", 8-1/2" x 13-2/5", 8-1/2" x 13", 8-1/2" x 11" A3, B4, A4R, 8K) (30 sheets when the sheets are the same width but different lengths.)	

*1 Paper pass unit and stand/1x500 sheet paper drawer or stand/2x500 sheet paper drawer are required to connect the finisher (large stacker) to the machine.

*2 The maximum number of sheets that can be held varies depending on ambient conditions in the installation location, the type of paper, and the storage conditions of the paper.

*3 Up to 100 sheets of non-standard size paper, envelopes, and transparency film (8-1/2" x 11"(A4)) can be loaded.

*4 The maximum number of sheets for stapling assumes a paper weight of 24 lbs. (90 g/m²) and includes two cover sheets of 28 lbs. bond to 140 lbs. index (106 g/m² to 256 g/m²).

Note:

Special media such as transparency film and label sheets cannot be stapled or punched.

SPECIFICATIONS

Saddle stitch finisher specifications*1

Model	MX-FN10	
Paper sizes	12" x 18", 11" x 17", 8-1/2" x 14", 8-1/2" x 13-1/2", 8-1/2" x 13-2/5", 8-1/2" x 13", 8-1/2" x 11", 8-1/2" x 11"R, 7-1/4" x 10-1/2"R, 5-1/2" x 8-1/2"R, envelopes, A3W, A3, B4, A4, A4R, B5, B5R, A5R, 8K, 16K, 16KR	
Paper weight	Thin paper (15 lbs. to 16 lbs. (55 g/m ² to 59 g/m ²)) plain paper (16 lbs. to 28 lbs. (60 g/m ² to 105 g/m ²)) heavy paper (28 lbs. bond to 140 lbs. index (106 g/m ² to 256 g/m ²)), envelopes (20 lbs. to 24 lbs. (75 g/m ² to 90 g/m ²))	
Modes	Non-staple, staple, saddle stitch, half fold (Output is folded in half one sheet at a time.)	
Allowed paper sizes for offset	11" x 17", 8-1/2" x 14", 8-1/2" x 13-1/2", 8-1/2" x 13-2/5", 8-1/2" x 13", 8-1/2" x 11", 8-1/2" x 11"R, 7-1/4" x 10-1/2"R, A3, A4, A4R, B4, B5, B5R, 8K, 16K, 16KR	
Offset distance	1-3/16" (30 mm)	
Tray capacity*2	Non-stapling*3: 1000 sheets*4 (8-1/2" x 11", 8-1/2" x 11"R, 7-1/4" x 10-1/2"R, A4, A4R, B5, B5R, 16K, 16KR) 500 sheets*5 (12" x 18", 11" x 17", 8-1/2" x 14", 8-1/2" x 13-1/2", 8-1/2" x 13-2/5", 8-1/2" x 13", 5-1/2" x 8-1/2"R, A3W, A3, B4, A5R, 8K)	Stapling*6: 50 sets or 1000 sheets*4 (8-1/2" x 11", 8-1/2" x 11"R, A4, A4R, B5, B5R, 16K, 16KR) 50 sets or 500 sheets*5 (11" x 17", 8-1/2" x 14", 8-1/2" x 13-1/2", 8-1/2" x 13-2/5", 8-1/2" x 13", A3, B4, 8K)
Power supply	Supplied from the machine	
Dimensions	25-53/64" (W) x 24-27/32" (D) x 38-57/64" (H) (656 mm (W) x 631 mm (D) x 988 mm (H)) (When tray is extended)	
Weight	Approx. 88.2 lbs. (40 kg)	
Stapler section		
Allowed paper sizes for stapling	11" x 17", 8-1/2" x 14", 8-1/2" x 13-1/2", 8-1/2" x 13-2/5", 8-1/2" x 13", 8-1/2" x 11", 8-1/2" x 11"R, A3, B4, A4, A4R, B5, B5R, 8K, 16K, 16KR (Three stapling positions: one staple at bottom left corner, one staple at top left corner, and two staples.)	
Maximum number of sheets for stapling*6	50 sheets (8-1/2" x 11", 8-1/2" x 11"R, A4, A4R, B5, B5R, 16K, 16KR) 25 sheets (11" x 17", 8-1/2" x 14", 8-1/2" x 13-1/2", 8-1/2" x 13-2/5", 8-1/2" x 13", A3, B4, 8K) (25 sheets when the sheets are the same width but different lengths.)	
Saddle stitch section		
Stapling method	Fold in half and staple in two places on centerline	
Folding position	Fold at centerline (can be adjusted with [Saddle Stitch Position Adjust] in the System Settings)	
Allowed paper sizes for saddle stitch stapling	11" x 17", 8-1/2" x 14", 8-1/2" x 11"R, A3, B4, A4R, 8K, 16KR	
Allowed paper weights for saddle stitch stapling	15 lbs. bond to 140 lbs. index (55 g/m ² to 256 g/m ²)*7	
Number sheets for saddle stitch stapling / Number of sets	Maximum: 15 sheets (21 lbs. (80 g/m ²)) x 14 sheets + 110 lbs. index (209 g/m ²) x 1 sheet) / 10 sets (11 to 15 sheets), 15 sets (6 to 10 sheets), 20 sets (1 to 5 sheets)	

*1 Paper pass unit and stand/1x500 sheet paper drawer or stand/2x500 sheet paper drawer are required to connect the saddle stitch finisher to the machine.

*2 The maximum number of sheets that can be held varies depending on ambient conditions in the installation location, the type of paper, and the storage conditions of the paper.

*3 Up to 30 envelopes can be output.

*4 The height of the sheets must not exceed 6-57/64" (175 mm).

*5 The height of the sheets must not exceed 3-45/64" (94 mm).

*6 The maximum number of sheets for stapling assumes a paper weight of 24 lbs. (90 g/m²) and includes two cover sheets of 28 lbs. bond to 140 lbs. index (106 g/m² to 256 g/m²).

*7 Allowed paper weights for saddle stitch stapling of plain paper include heavy paper (28 lbs. bond to 140 lbs. index (106 g/m² to 256 g/m²)).

Note:

Special media such as transparency film and label sheets cannot be stapled or punched.

Punch module specifications (for finisher)

Model	MX-PNX1B
Hole punching	3 holes or 2 holes
Allowed paper sizes for punching	3 holes: 11" x 17", 8-1/2" x 11", A3, A4 2 holes: 8-1/2" x 14", 8-1/2" x 13-1/2", 8-1/2" x 13-2/5", 8-1/2" x 13", 8-1/2" x 11"R, 7-1/4" x 10-1/2"
Punchable paper weights	16 lbs. to 32 lbs. (55 g/m ² to 128 g/m ²)
Power supply	Supplied from finisher
Dimensions	4-9/64" (W) x 20-25/64" (D) x 6-45/64" (H) (105 mm (W) x 518 mm (D) x 170 mm (H))
Weight	Approx. 7.7 lbs. (3.5 kg)

Punch module specifications (for finisher (large stacker))

Model	MX-PNX6B
Hole punching	3 holes or 2 holes
Allowed paper sizes for punching	3 holes: 11" x 17", 8-1/2" x 11", A3, A4 2 holes: 8-1/2" x 14", 8-1/2" x 13-1/2", 8-1/2" x 13-2/5", 8-1/2" x 13", 8-1/2" x 11"R, 7-1/4" x 10-1/2"
Punchable paper weights	16 lbs. Bond to 140 lbs. index (55 g/m ² to 256 g/m ²)
Power supply	Supplied from finisher (large stacker)
Dimensions	4-17/32" (W) x 23-5/8" (D) x 39-11/64" (H) (115 mm (W) x 600 mm (D) x 995 mm (H))
Weight	Approx. 17.7 lbs. (8 kg)

Punch module specifications (for saddle stitch finisher)

Model	MX-PNX5B
Hole punching	3 holes or 2 holes
Allowed paper sizes for punching	3 holes: 11" x 17", 8-1/2" x 11", A3, A4 2 holes: 8-1/2" x 14", 8-1/2" x 13-1/2", 8-1/2" x 13-2/5", 8-1/2" x 13", 8-1/2" x 11"R, 7-1/4" x 10-1/2"
Punchable paper weights	16 lbs. to 32 lbs. (55 g/m ² to 128 g/m ²)
Power supply	Supplied from saddle stitch finisher
Dimensions	4-13/16" (W) x 23-25/32" (D) x 9-49/64" (H) (122 mm (W) x 604 mm (D) x 248 mm (H))
Weight	Approx. 7.7 lbs. (3.5 kg)

Note:

Special media such as transparency film and label sheets cannot be stapled or punched.

Printer specifications

Type	Built-in	
Continuous printing speed	Same as continuous copying speed (When printing same document continuously on 8-1/2" x 11" (A4) plain paper in non-offset mode, excluding processing time.)	
Printing resolution	600 x 600 dpi / 1200 x 1200 dpi	
Printer driver type	PCL5c, PCL6, PostScript 3 compatible*1, XPS*4	
Supported protocols	TCP/IP, IPX/SPX, NetBEUI, EtherTalk	
Supported client PC operating systems	See "VERIFYING SYSTEM REQUIREMENTS" in the Software Setup Guide.	
Fonts	PCL5c, PCL6	80 European fonts, 28 barcode fonts*2, 1 bitmap font
	PostScript 3 compatible*1	136 European fonts
Interface port	LAN connectivity: 10Base-T / 100Base-TX / 1000Base-T USB connectivity: Supports USB 2.0 (Hi speed)*3	
Memory	Standard system memory: 1 GB Expansion memory: 1 GB*5	
Print area	Entire page excluding margin of 11/64" (4.2 mm) at each edge. The actual print area may vary depending on the printer driver and the software application.	

*1 When the PS3 expansion kit is installed and the machine is used as a PostScript printer.

*2 Barcode font kit is required.

*3 Supported operating systems are Windows 2000 / XP / Vista.

*4 When the XPS expansion kit is installed.

*5 To install the XPS expansion kit, an expansion memory board is required.

SPECIFICATIONS

Facsimile specifications

Model	MX-FXX2	
Applicable telephone line	Public switched telephone network, PBX	
Scanning resolution (supports ITU-T standards)	8 x 3.85 lines/mm (Standard), 8 x 7.7 lines/mm (Fine, Fine-Halftone), 8 x 15.4 lines/mm (Super Fine, Super Fine - Halftone), 16 x 15.4 lines/mm (Ultra Fine, Ultra Fine - Halftone)	
Transmission speed	33.6 kbps down to 2.4 kbps Automatic fallback	
Compression method	MH / MR / MMR / JBIG	
Transmission modes	Super G3, G3 (the machine can only send faxes to and receive faxes from machines that support G3 or Super G3)	
Input document size	Inch sizes: 11" x 17", 8-1/2" x 14", 8-1/2" x 13-2/5", 8-1/2" x 13", 8-1/2" x 11", 8-1/2" x 11"R, 5-1/2" x 8-1/2" AB sizes: A3, B4, A4, A4R, B5, B5R, A5, 216 mm x 340 mm, 216 mm x 343 mm Long originals (max. width 11-45/64" (297 mm) x max. length 39-23/64" (1000 mm) can be transmitted using the automatic document feeder. Scanning one side is possible.)	
Paper sizes	11" x 17", 8-1/2" x 14", 8-1/2" x 13-2/5", 8-1/2" x 13", 8-1/2" x 11", 8-1/2" x 11"R, 5-1/2" x 8-1/2"R (A3, B4, A4, A4R, B5, B5R, A5R)	
Transmission time *1	Approx. 2 seconds (Super G3 mode/33.6 kbps, JBIG) Approx. 6 seconds (G3 ECM mode/14.4 kbps)	
Power supply	Supplied from the machine	
Dimensions	7-9/16" (W) x 2-3/64" (D) x 8-15/32" (H) (192 mm (W) x 52 mm (D) x 215 mm (H))	
Weight	Approx. 2.2 lbs. (1.0 kg)	
Remarks	Extension telephone connection	Possible (1 telephone)
	Number of one-touch keys for storing destinations*2	Maximum number of keys: 999
	Number of destinations that can be stored in a group (1 key)*2	Maximum number of destinations in one group (1 key): 500
	Timer transmission	Yes
	Program function	Yes (48 programs)
	F-code transmission	Supported (SUB/SEP (sub-address) and SID/PWD (passcode) signals can be transmitted / received)
	Image memory	8 MB standard

*1 Transmission speed is for an 8-1/2" x 11" or A4 document with approximately 700 characters at standard resolution (8 x 3.85 lines/mm) sent in high speed mode (33.6 kbps (JBIG) or 14.4 kbps). This is only the time required to transmit the image information; the time required to send protocol signals is not included. Actual transmission times will vary depending on the contents of the document, the receiving machine type, and telephone line conditions.

*2 Total number of all destinations (Scan to E-mail, Scan to FTP, Scan to Desktop, Scan to Network folder, Internet Fax, Fax and Group)

Administrator

Name:

Contact at:



Information that the administrator of the machine requires is printed on the back of this page.

(Separate this page from the manual and keep it in a safe place. In addition, fill in the name of the administrator and the administrator's contact information in the left hand margin.)

TO THE ADMINISTRATOR OF THE MACHINE

(Separate this page from the manual and keep it in a safe place.)

Factory default passwords

When accessing the system settings, the administrator password is required to log in with administrator rights. The system settings can be configured in the Web pages as well as on the operation panel. To access the system settings using the Web pages, a password is also required.

Factory default administrator password

Factory default setting: admin

Store a new administrator password as soon as the machine is installed. Once the administrator password has been changed, the new password is required to restore the factory default password. Take care to remember the new password.

Factory default passwords (Web pages)

There are two factory default accounts: "Administrator" and "User". A person who logs in as an "Administrator" can configure all settings in the Web pages. In addition, an administrator can restrict access to other settings by enabling "User" accounts.

The factory default passwords are shown below.

	Factory default account	Factory default password
User	users	users
Administrator	admin	admin

Forwarding all transmitted and received data to the administrator (document administration function)

This function is used to forward all data transmitted and received by the machine to a specified destination (Scan to E-mail address, Scan to FTP destination, Scan to Network Folder destination, or Scan to Desktop destination).

This function can be used by the administrator of the machine to archive all transmitted and received data. To configure the document administration settings, click [Application Settings] and then [Document Administration Function] in the Web page menu. (Administrator rights are required.)

Note:

- The format, exposure, and resolution settings of transmitted and received data remain in effect when the data is forwarded.
- When forwarding is enabled for data sent in fax mode,
 - The [Direct TX] key does not appear in the touch panel.
 - Quick online transmission and dialing using the speaker cannot be used.

For the users of the fax function

ABOUT THE TELEPHONE CONSUMER PROTECTION ACT OF 1991

The Telephone Consumer Protection Act of 1991 makes it unlawful for any person to use a computer or other electronic device, including FAX machines, to send any message unless such message clearly contains in a margin at the top or bottom of each transmitted page or on the first page of the transmission, the date and time it is sent and an identification of the business or other entity, or other individual sending the message and the telephone number of the sending machine or such business, other entity, or individual.

(The telephone number provided may not be a 900 number or any other number for which charges exceed local or long-distance transmission charges.)

In order to program this information into your FAX machine, you should complete the following steps:
See "Own Name and Destination Set" on page 7-78 of Operation Guide.

Important safety instructions

- If any of your telephone equipment is not operating properly, you should immediately remove it from your telephone line, as it may cause harm to the telephone network.
- The AC power outlet shall be installed near the equipment and shall be easily accessible.
- Never install telephone wiring during a lightning storm.
- Never install telephone jacks in wet locations unless the jack is specifically designed for wet locations.
- Never touch uninsulated telephone wires or terminals unless the telephone line has been disconnected at the network interface.
- Use caution when installing or modifying telephone lines.
- Avoid using a telephone (other than a cordless type) during an electrical storm. There may be a remote risk of electric shock from lightning.
- Do not use a telephone to report a gas leak in the vicinity of the leak.
- Do not install or use the machine near water, or when you are wet. Take care not to spill any liquids on the machine.
- Save these instructions.

TO THE ADMINISTRATOR OF THE MACHINE

FCC Notice to users:

This equipment complies with Part 68 of the FCC rules and the requirements adopted by the ACTA.

On this equipment is a label that contains, among other information, a product identifier in the format US:AAAEQ##TXXXX.

If requested, this number must be provided to the telephone company.

The REN is used to determine the number of devices that may be connected to a telephone line.

Excessive RENs on a telephone line may result in the devices not ringing in response to an incoming call.

In most but not all areas, the sum of RENs should not exceed five (5.0).

To be certain of the number of devices that may be connected to a line, as determined by the total RENs, contact the local telephone company.

For products approved after July 23, 2001, the REN for this product is part of the product identifier that has the format US:AAAEQ##TXXXX.

The digits represented by ## are the REN without a decimal point (e.g., 03 is a REN of 0.3).

For earlier products, the REN is separately shown on the label.

If this equipment causes harm to the telephone network, your telephone company may disconnect your service temporarily. If possible, they will notify you in advance. If advance notice is not practical, you will be notified as soon as possible. You will also be advised of your right to file a complaint with the FCC.

Your telephone company may make changes in its facilities, equipment, operations, or procedures that could affect the operation of your equipment. If this happens, the telephone company will provide advance notice in order for you to make necessary modifications to maintain uninterrupted service. If the equipment is causing harm to the telephone network, your telephone company may ask you to disconnect the equipment until the problem is resolved.

If you have any questions or problems which cannot be solved by reading this manual, please contact.

<p>Sharp Electronics Corporation 1 Sharp Plaza, Mahwah, NJ 07495 Telephone: 1-800-BE-SHARP</p>

A plug and jack used to connect this equipment to the premises wiring and telephone network must comply with the applicable FCC Part 68 rules and requirements adopted by the ACTA.

A compliant telephone cord and modular plug is provided with this product.

It is designed to be connected to a compatible modular jack that is also compliant. See installation instructions for details.

This equipment connects to the telephone network through a standard USOC RJ-11C network interface jack.

If your home has specially wired alarm equipment connected to the telephone line, ensure the installation of this equipment does not disable your alarm equipment.

If you have questions about what will disable alarm equipment, consult your telephone company or a qualified installer.

This equipment may not be used on coin service provided by the telephone company.

Connection to party lines service is subject to state tariffs.

Contact your state's public utility commission, public service commission or corporation commission for more information.

NOTICE for users in the USA

BE SURE TO ASK YOUR AUTHORIZED SHARP DEALER ABOUT THE WARRANTY THAT YOUR SELLING DEALER EXTENDS TO YOU. In order to assure you, the end-user, of warranty protection, Sharp extends a limited warranty to each of its authorized dealers and, in turn, requires each of its authorized dealers to extend its own warranty to you on terms that are no less favorable than those given to the dealer by Sharp. You should be aware, however, that Sharp does not itself extend any warranties, either express or implied, directly to you, the end-user, and no one is authorized to make any representations or warranties on behalf of Sharp. Specifically, SHARP DOES NOT EXTEND TO YOU, THE END-USER, ANY EXPRESS WARRANTY OR ANY IMPLIED WARRANTY OF MERCHANTABILITY, FITNESS FOR USE OR FITNESS FOR ANY PARTICULAR PURPOSE IN CONNECTION WITH THE HARDWARE, SOFTWARE OR FIRMWARE EMBODIED IN, OR USED IN CONJUNCTION WITH THIS PRODUCT. Sharp is not responsible for any damages or loss, either direct, incidental or consequential, which you, the end-user, may experience as a result of your purchase or use of the hardware, software or firmware embodied in or used in conjunction with this Product. Your sole remedy, in the event that you encounter any difficulties with this Product, is against the authorized dealer from which you purchased the Product.

MX-4100N Digital Full Color Multifunctional System

MX-4101N Digital Full Color Multifunctional System

MX-5001N Digital Full Color Multifunctional System

In the event that this authorized dealer does not honor its warranty commitments, please contact the General Manager, Business Products Group, Sharp Electronics Corporation, 1 Sharp Plaza, Mahwah, NJ 07495-1163, so that Sharp can try to help assure complete satisfaction of all the warranty rights to which you are entitled from the authorized dealer.

NOTICE FOR USERS IN CANADA

"NOTICE : This product meets the applicable Industry Canada technical specifications."

"NOTICE : The Ringer Equivalence Number is an indication of the maximum number of devices allowed to be connected to a telephone interface. The termination on an interface may consist of any combination of devices subject only to the requirement that the sum of the RENs of all the devices does not exceed five."

The REN of this equipment is indicated on the facsimile expansion kit.

AVIS POUR NOS UTILISATEURS AU CANADA

AVIS : Le présent matériel est conforme aux spécifications techniques applicables d'Industrie Canada.

Remarque : L'indice d'équivalence de la sonnerie (IES) sert à indiquer le nombre maximal de terminaux qui peuvent être raccordés à une interface téléphonique. La terminaison d'une interface peut consister en une combinaison quelconque de dispositifs, à la seule condition que la somme d'indices d'équivalence de la sonnerie de tous les dispositifs n'excède pas 5.

L'indice d'équivalence de la sonnerie (IES) de cet équipement est indiqué sur le kit d'extension télécopieur.

Sharp Electronics of Canada Ltd.
335 Britannia Road East,
Mississauga, Ontario, L4Z 1W9
Canada

Trademark acknowledgments

The following trademarks and registered trademarks are used in conjunction with the machine and its peripheral devices and accessories.

- Microsoft®, Windows®, Windows® 98, Windows® Me, Windows NT® 4.0, Windows® 2000, Windows® XP, Windows Server® 2003, Windows Vista®, Windows Server® 2008 and Internet Explorer® are registered trademarks or trademarks of Microsoft Corporation in the U.S.A. and other countries.
- PostScript is a registered trademark of Adobe Systems Incorporated.
- Adobe and Flash are registered trademarks or trademarks of Adobe Systems Incorporated in the United States and other countries.
- Adobe, the Adobe logo, Acrobat, the Adobe PDF logo, and Reader are registered trademarks or trademarks of Adobe Systems Incorporated in the United States and other countries.
- Macintosh, Mac OS, AppleTalk, EtherTalk and LaserWriter are trademarks of Apple Inc., registered in the U.S. and other countries.
- Netscape Navigator is a trademark of Netscape Communications Corporation.
- Mozilla® and Firefox® are registered trademarks or trademarks of the Mozilla Foundation in the U.S.A. and other countries.
- PCL is a registered trademark of the Hewlett-Packard Company.
- IBM, PC/AT, and PowerPC are trademarks of International Business Machines Corporation.
- Sharpdesk is a trademark of Sharp Corporation.
- Sharp OSA is a trademark of Sharp Corporation.
- RealVNC is a trademark of RealVNC Limited.
- All other trademarks and copyrights are the property of their respective owners.

Candid and Taffy are trademarks of Monotype Imaging, Inc. registered in the United States Patent and Trademark Office and may be registered in certain jurisdictions. CG Omega, CG Times, Garamond Antiqua, Garamond Halbfett, Garamond Kursiv, Garamond and Halbfett Kursiv are trademarks of Monotype Imaging, Inc. and may be registered in certain jurisdictions. Albertus, Arial, Coronet, Gill Sans, Joanna and Times New Roman are trademarks of The Monotype Corporation registered in the United States Patent and Trademark Office and may be registered in certain jurisdictions. Avant Garde, ITC Bookman, Lubalin Graph, Mona Lisa, Zapf Chancery and Zapf Dingbats are trademarks of International Typeface Corporation registered in the United States Patent and Trademark Office and may be registered in certain jurisdictions. Clarendon, Eurostile, Helvetica, Optima, Palatino, Stempel Garamond, Times and Univers are trademarks of Heidelberger Druckmaschinen AG, which may be registered in certain jurisdictions, exclusively licensed through Linotype Library GmbH, a wholly owned subsidiary of Heidelberger Druckmaschinen AG. Apple Chancery, Chicago, Geneva, Monaco and New York are trademarks of Apple Computer Inc. and may be registered in certain jurisdictions. HGGothicB, HGMInchoL, HGPGothicB and HGPMInchoL are trademarks of Ricoh Company, Ltd. and may be registered in some jurisdictions. Wingdings is a registered trademark of Microsoft Corporation in the United States and other countries. Marigold and Oxford are trademarks of Arthur Baker and may be registered in some jurisdictions. Antique Olive is a trademark of Marcel Olive and may be registered in certain jurisdictions. Hoefler Text is a trademark of Johnathan Hoefler and may be registered in some jurisdictions. ITC is a trademark of International Typeface Corporation registered in the United States Patent and Trademark Office and may be registered in certain jurisdictions. Agfa is a trademark of the Agfa-Gevaert Group and may be registered in certain jurisdictions. Intellifont, MicroType and UFST are trademarks of Monotype Imaging, Inc. registered in the United States Patent and Trademark Office and may be registered in certain jurisdictions. Macintosh and TrueType are trademarks of Apple Computer Inc. registered in the United States Patent and Trademark Office and other countries. PostScript is a trademark of Adobe Systems Incorporated and may be registered in some jurisdictions. HP, PCL, FontSmart and LaserJet are trademarks of Hewlett-Packard Company and may be registered in some jurisdictions. The Type 1 processor resident in Monotype Imaging's UFST product is under license from Electronics For Imaging, Inc. All other trademarks are the property of their respective owners.

SHARP®

SHARP ELECTRONICS CORPORATION

1 Sharp Plaza, Mahwah, New Jersey 07495-1163.

www.sharpusa.com

SHARP ELECTRONICS OF CANADA LTD.

335 Britannia Road East, Mississauga, Ontario, L4Z 1W9

SHARP CORPORATION

