

SHARP®

PN-L702B

LCD MONITOR

**TOUCH PANEL DRIVER
OPERATION MANUAL**

Version 2.1

Contents

Setting up the PC	3
Installing the touch panel driver	3
Touch Panel Settings	4
How to configure settings.....	4
Calibration	5
Properties	6
Uninstalling the Driver Software	8

This manual explains the installation and configuration of the touch panel driver

Important Information

- This software has been shipped after strict quality control and product inspection. If, however, you find any failure or malfunction, contact your product dealer.
- Please understand that SHARP CORPORATION bears no responsibility for errors made during use by the customer or a third party, nor for any other malfunctions or damage to this software arising during use, except where indemnity liability is recognized under law.
- Transcribing or duplicating part or all of this manual and/or this software without permission from our company is not permitted.
- As a part of our policy of continuous improvement, SHARP reserves the right to make design and specification changes for product improvement without prior notice. The performance specification figures indicated are nominal values of production units. There may be some deviations from these values in individual units.
- The contents or details may vary depending on the screen configuration and OS version, etc.
- Only an English version of the touch panel driver is provided. The screens shown in the manual are the screens that appear in the English OS.
- This manual does not contain basic operating instructions for Windows.

Trademarks

- Microsoft, Windows, and Windows Vista are either registered trademarks or trademarks of Microsoft Corporation in the United States and/or other countries.
- All other brand and product names are trademarks or registered trademarks of their respective holders.

Setting up the PC

To use the touch panel, the touch panel driver must be installed from the supplied CD-ROM and the touch panel must be connected to your PC.

Installing the touch panel driver

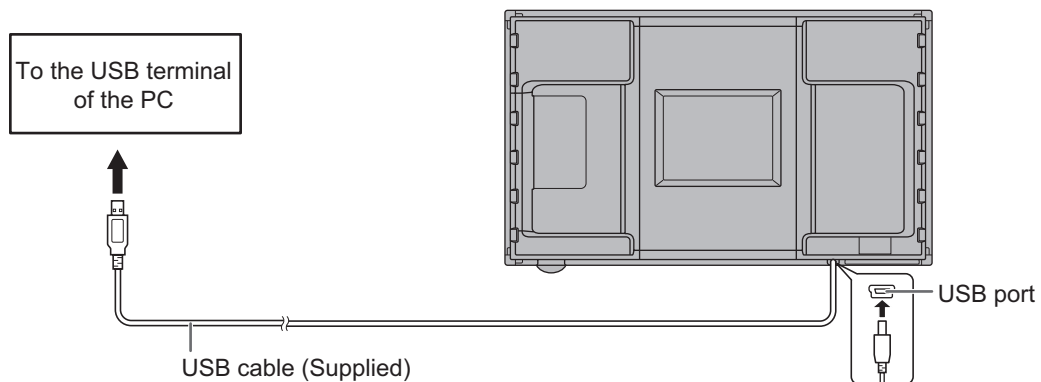
The touch panel driver is a program that enables you to use the touch panel to operate the PC that is connected to the touch panel.

! Caution

- This can only be done by a user with administrator authority.
- If an older version of the touch panel driver is installed, remove (uninstall) the old version before installing the touch panel driver. (See page 8.)
- If you are using a USB hub, use a self-powered hub (a hub capable of supplying a 500 mA current). The touch panel will not operate correctly if a bus-powered USB hub is used.
- Do not touch the touch panel when connecting the USB cable.
If you touch the touch panel, this may be detected as an element failure in the infrared transmitter/receiver and malfunctioning will result. In this case, disconnect and then reconnect the USB cable.

1. Start your PC.
2. Exit all applications that are running.
3. Connect the USB cable for the touch panel to the PC.

After it has been connected, the touch panel will be automatically recognized.



4. Insert the supplied CD-ROM into the CD-ROM drive of your PC.
5. Open the CD-ROM drive in "Computer" or "My Computer".
6. Double-click the "TouchPanel" folder.
7. Double-click the install file.
 - If you are using a 32-bit operating system, double-click "TPDriverSetup32.exe".
 - If you are using a 64-bit operating system, double-click "TPDriverSetup64.exe".
 - When the "User Account Control" screen appears, click "Yes" (or "Allow").
8. Click "Next".


Follow the on-screen instructions to install the driver.

 - If the "Windows Security" screen appears, click "Install" (or "Install this driver software anyway").
 - If the "Software Installation" screen appears, click "Continue Anyway".
 - If the "Touch Panel Driver Files in Use" screen appears, click "Continue".
9. When the installation finished screen appears, click "Close".
10. If a screen appears prompting you to restart your PC, click "Yes".

This completes the installation of the touch panel driver.

Each time the PC is started, the touch panel driver will start automatically to enable the touch panel to be used. The first time you use the touch panel, perform calibration (position adjustment). (See page 5.)

Touch Panel Settings

The touch panel driver starts automatically and the icon () appears on the taskbar.

! Caution

- When using the touch panel, set the “SIZE” of the monitor to “WIDE”, “NORMAL”, or “Dot by Dot”.
The touch panel cannot be used when the “SIZE” is set to “ZOOM1” or “ZOOM2”.
- In Windows 7, if the display screen size is set to “NORMAL” or “Dot by Dot”, the touch panel cannot be used in a vertical installation.

How to configure settings

1. Click the touch panel driver icon () on the taskbar.
2. Click a menu to change a setting.



- Current Screen Resolution: The current screen resolution appears.
- Calibration: See page 5.
- Properties: See page 6.
- Hardware Information: Select this to specify “Test Information Display”, “Rotate Mode”, and “Disable TP Driver”.
 - Test Information Display:
Select to view operating conditions. (For service technicians.)
 - Rotate Mode: (Not used with the monitor.)
Select when the image has been rotated on a PC that has a video card capable of image rotation.
 - Disable TP Driver:
Select to disable the touch panel function. If “Dual” is enabled in the “Touch Mode Setting” (page 7) and you wish to disable the touch panel functions, remove the checkmark from “Use your finger as an input device” in “Pen and touch” in Control Panel.
- Version Information: Shows the version of the touch panel driver.
- Exit: Exit the touch panel driver. (When this is selected, it will no longer be possible to use the touch panel function.)

Calibration

Calibration is used to perform position alignment so that the mouse cursor moves to the correct position when the screen is touched.

TIPS

- Do not perform calibration in “Tablet PC Settings” in Control Panel. Calibration will not take place correctly.

■Calibration Method

Simple

Select the currently displayed screen size (“WIDE”, “NORMAL”, “Dot by Dot”), and calibration takes place automatically. Calibrate using advanced calibration if the mouse cursor is out of position when the touch pen is used.

TIPS

- When a key has been assigned to the “Easy Change” hot key setting, the key can be pressed to successively change a setting.

Advanced

Calibration can be performed manually. Click “OK” to open the settings. Follow the on-screen instructions. (To cancel during calibration, press the [ESC] key on the keyboard.)

■Hot Key Setting

Hot keys can be set to perform the operations below. The [Ctrl] and [Shift] keys are fixed as hot keys. One of the A to Z or 0 to 9 keys can be selected for the third hot key.

Easy Change : The calibration method can be changed to “Simple” by pressing the hot key. Settings can be successively changed by pressing the hot key.

Calibration : The hot key can be pressed to open the Select Calibration screen.

Properties

Settings for the touch pen can be configured in the properties. Select a tab to change a setting on that tab.

■Double Click Range Setting (Single touch mode)

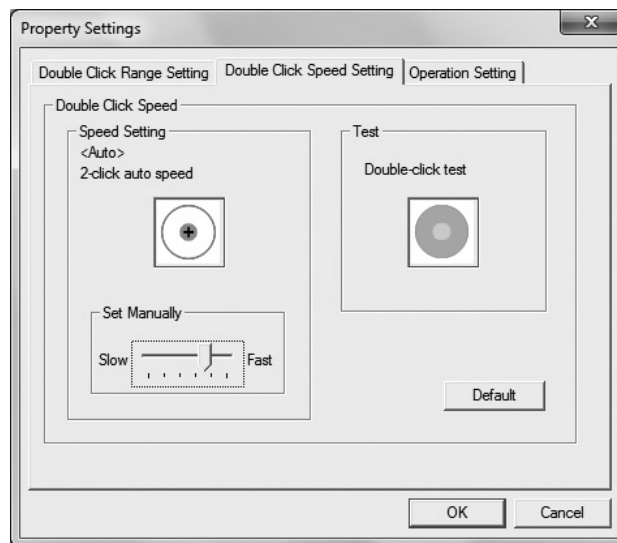
Set how much the position can shift between the first touch and the second touch and still be recognized as a double-click. Set the range based on how you use the touch pen. To return the setting to the default setting, click "Default".

TIPS

- Changing this setting also changes the effective double-click range when the mouse is used.

■Double Click Speed Setting (Single touch mode)

Set the time that is recognized as a double-click. When a second touch occurs within the set time after the first touch, it is recognized as a double-click.



Speed Setting (Auto)

The inside of the frame can be touched twice (double-clicked) to set the speed automatically based on the interval between the touches.

Set Manually

The speed can be set manually from "Slow" (about 1 second) to "Fast" (about 0.3 seconds).

Test

When the inside of the frame is double-clicked by touching it twice, the screen changes. If the screen does not change, repeat the setting.

Default

Click to restore the default setting.

TIPS

- Changing this setting also changes the mouse double-click speed of Windows.
- Depending on the software application, changing the setting may not have any effect (for example, if the setting is set separately in the application).

■ Operation Setting

Function Button 1

Set the function that activates when function button 1 is pressed with the touch pen.

- RightClick : Functions as a right click.
- Disable : Disables function button 1.

Function Button 2

Set the function that activates when function button 2 is pressed with the touch pen.

- Pen Software Link : Functions as a link button for a Pen Software function.
- Disable : Disables function button 2.

TIPS

- The Pen Software function that links to function button 2 is set in the Pen Software.

Input Mode Setting

Set the input mode for the touch panel. It is normally recommended that you use “Standard”.

- Standard : Automatically switches between pen mode and handwriting mode.
- HandWrite : Select this when you only wish to use your finger and will not be using the touch pen function.
- Pen : Select this for operation by touch pen only. Only the touch pen can be used; your finger cannot be used.

Touch Mode Setting

Select the touch mode (Single touch mode or Dual touch mode).

For information on the touch modes, see the monitor operation manual.

- Single : Use Single touch mode.
- Dual : Use Dual touch mode. (Windows 7 only)

TIPS

- When the input mode is “Pen”, “Dual” cannot be selected.

Detect Eraser Area

Specify whether the area (rectangle) of a touched item is detected. The application must support area detection.

Resolution Change Notice

- Enable : When the screen resolution is changed, a message is displayed regarding the calibration setting.
- Disable : When the screen resolution is changed, the previously set calibration values are automatically applied. When a resolution is used for the first time, the message regarding the calibration setting will appear.

Optimize HTML


For normal operation and writing text by hand, this setting is not necessary.

When manipulating a document with a small click range for HTML links, enable this and adjust the effective “Click range”.

Uninstalling the Driver Software

! Caution

- This can only be done by a user with administrator authority.

- 1. Click the touch panel driver icon () on the taskbar and click “Exit”.**
If a confirmation window appears, click “Yes”.
- 2. Disconnect the USB cable.**
- 3. Select “Control Panel” from the “Start” menu.**
- 4. Click “Uninstall a program”.**
 - If you are using icon view (Classic View), double-click “Programs and Features”.
 - In Windows XP, click “Add or Remove Programs”. (In the “Classic View”, double-click “Add or Remove Programs”.)
- 5. Remove “SHARP Touch Panel Driver”.**
 - Follow the on-screen instructions.
 - When the “User Account Control” screen appears, click “Yes” (or “Allow”).
 - When the “The following applications should be closed before continuing the install” message appears, click “OK”.
- 6. If a screen appears prompting you to restart your PC, restart your PC.**

This completes the uninstallation.

SHARP[®]
SHARP CORPORATION