
Sharp AR-C240P

Software Installation Guide

Installation Checklist:

<input type="checkbox"/>	Available Windows Drivers	2
<input type="checkbox"/>	Installation	3
	Network Installation	3
	Network Installation	3
	Connect to the Network Port.....	3
	Install the Ferrite Core	4
	Windows®	5
	Install Printer Software for TCP/IP	5
	Activating the Optional Duplex Unit and Paper Trays	6
	Novell®	7
	Install Software for Configuring the Printer.....	7
	Local Installation	8
	USB	8
	Connect to the Computer.....	8
	Install Printer Software	9
	for Windows 98.....	9
	for Windows XP	10
	for Windows 2000.....	11
	for Windows Me.....	12
	Parallel	13
	Connect to the Computer.....	13
	Install Printer Software	14
	Macintosh® Installation.....	15
	Connect to the Computer.....	15
	Network	15
	USB.....	15
	Install Printer Software	16
	for OS 9.1 to 9.2.x.....	16
	for OS X.1+ to X.3+	18
<input type="checkbox"/>	Install the Handy Reference.....	19
<input type="checkbox"/>	Support Resources.....	20

Printer Drivers

Available Windows Drivers

Your printer comes with Windows drivers for PCL and PostScript(PS).

When to Use the PostScript Driver

If you use PostScript fonts or you will be printing PostScript graphics, choose the PostScript driver. Performance will be faster and graphics will be printed at their best quality.

When to Use the PCL Driver

If you use TrueType fonts and you do not print PostScript (including ".eps" files) graphics, choose the PCL driver. This will be more efficient and give good results.

Readme File

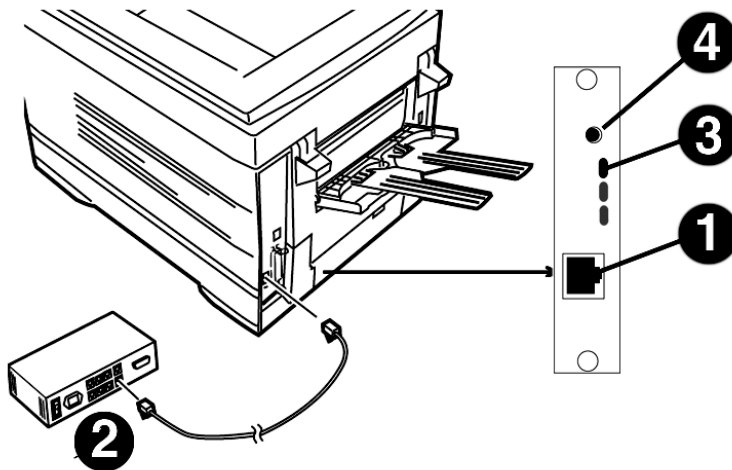
Please refer to the Readme file on the CD for the latest information on printer drivers.

Network Installation

Connect to the Network Port

! *No Ethernet® cable is supplied with the printer. Use an Ethernet cable with two twisted wire pairs and an RJ45 plug.*

- Turn the printer off.
- Connect your Ethernet cable to the network port on the print server (1).
- Connect the other end of the cable to the network port (2).
- Turn the printer on and wait for the print server status light (3) to stop blinking.
- Press the Test button (4) on the print server. A configuration sheet prints.
This sheet contains information you need to set up the printer on your network.



Network Installation

Install the Ferrite Core

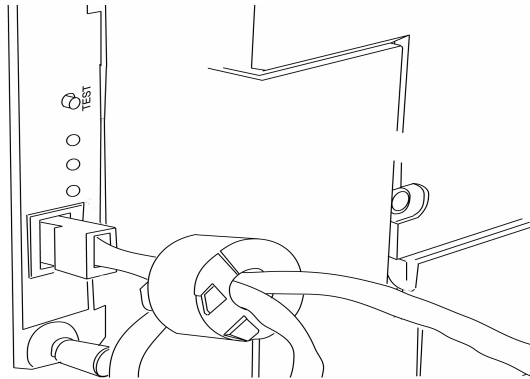
Important!

In order to reduce electromagnetic interference—“noise” that interferes with TVs or other appliances—you must place the enclosed ferrite core on the network cable connected to your printer.

This safeguard is an FCC requirement.

Here's how to do it:

- Disconnect the network cable from the printer, if necessary.
- Loop the cable if necessary to keep the ferrite core in place.
- Place the open core about 1 inch from the cable connector on the printer end.
- Press the two halves of the core together until they click shut.



Network Installation

Windows®

Install Printer Software for TCP/IP

! *Installing a printer on a network is best handled by someone familiar with networks such as a network Administrator.*

TCP/IP Configuration Options

For information on how to modify configuration settings specific to the TCP/IP protocol, see the TCP/IP section in the Print Server User's Guide located on CD 2.

To Install the PostScript Drivers

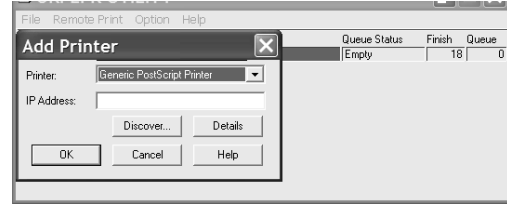
- Insert CD1 into the CD-ROM drive. The CD will autorun.
*If the system autorun is disabled, click **Start** → **Run** → **Browse**. Browse to your CD-ROM drive and double-click **Install.exe** then click **OK**.*
- The License Agreement appears, click **I Accept**.
- Select your language.
- Select **Custom Install**.
- The Software Installation screen appears.
- Click the **Printer Driver Installer** button.
- Select **Network Printer**. Click **Next**.
- Connection Type screen appears. Select **Directly to the network....** Click **Next**.
- The TCP/IP Connection screen appears. Select **Search Address**. Click **Next**.
- Highlight your printer model. Click **Next**.
- Select **Printer Emulation PS**. Click **Next**.
- Select printer name. Click **Next**.
- Select **Do not share**. Click **Next**.
- Click **Finish** when installation is complete.

Use the Sharp LPR Utility to discover the printer

The Sharp LPR Utility is automatically installed with the network printer drivers. To discover the printer, do the following:

- Click **Start** → **Programs** → **Sharp** → **Sharp LPR Utility**.

- Click **Remote Print**, then click **Add Printer**.



- Select your printer model from the drop-down list, then either enter the **IP Address** manually, or click **Discover** and wait for the printer to be discovered.
- Click **OK**.

To Install the PCL Driver

Follow the instructions for installing the PostScript driver. When prompted to select the printer emulation, select PCL.

Alternate Installation Method

Use the Add Printer Wizard:

- Insert the Driver CD (CD1) supplied with your printer in your CD-ROM drive.
- Click **Cancel** to close the Menu Installer.
- Click **Start** → **Settings** → **Printers** → **Add Printer**. *The Add Printer Wizard appears.*
- Follow the on-screen instructions.

To Install the Network Utilities

In the Menu Installer, click the Administration Tools button. Select the Utilities you want to install.

Network Installation

Windows®

Install Printer Software for TCP/IP (cont.)

Network Client Distribution

If you are installing the software on a network for network clients, the software must be installed on all clients' workstations.

The Web Driver Installer Utility automatically notifies client users by e-mail when a new printer is added to the network.

Install the Web Driver Installer Utility

- In the Menu Installer, click the **Network Software** button.
- Click the **Administration Tools** button.
- Click the **Web Driver Installer** button and follow the on-screen instructions.

Activating the Optional Duplex Unit and Paper Trays

If your printer has a duplex unit or optional paper trays, you must enter the driver and activate them.

To activate in the PostScript driver:

- Click **Start** → **Settings** → **Printer**.
- Right click the **Sharp PostScript** printer icon, then click **Properties**.

Windows 2000, XP, NT 4.0

- Click the **Device Settings** tab.
- Scroll down to **Installable Options**.
- Click **Duplex**, then click **Installed** in the box below.
- Select optional paper trays if installed.
- Click **OK**.

Windows Me, 98, 95

- Click the **Device Options** tab.
- Select Duplex Option Unit, then select optional paper trays if installed.
- Click **OK**, then close the Printers dialog box.

To activate in the PCL driver:

- Click **Start** → **Settings** → **Printer**.
- Right click the **PCL** printer icon, then click **Properties** (Windows 2000/XP/Me/9x), or **Document Defaults** (Windows NT 4.0).
- Click the **Device Options** tab.
- Select Duplex Option Unit and optional paper trays if installed.
- Click **OK**, then close the Printers dialog box.

Network Installation

Novell®

Install Software for Configuring the Printer



Installing a printer on a network is best handled by someone familiar with networks (such as a network Administrator).



For more information on the internal print server, see the Print Server User's Guide on CD2 supplied with your printer.

Install the Utility

This utility installs, configures, and manages Sharp network print server devices.

- Insert the drivers CD supplied with your printer into your CD-ROM drive. The CD will AutoPlay. If it doesn't, click **Start** → **Run** → **Browse**. Browse to your CD-ROM drive and double-click **Install.exe**, then click **OK**.
- The Licence Agreement appears. Click **I Accept**.
- Select your language.
- Select Custom Install.
- The Menu Installer screen appears.
- Click the **Network Software** button.
- Click the **Installation/Config** button.
- Click the **Admin Mgr/Quick Setup** button.
- Setup Assistant** displays. Select your language. Click **Next**.
- Follow the on-screen instructions to complete the installation.

***Note:** You can either install the software while running the utility off the CD, or you can choose to install the utility on your computer and then launch it from there.*

Install the Printer on a Novell® Network

***Note:** Novell Client for Windows must be loaded, the Admin Manager software must be running, and you must be logged in to NDS.*

- Run **Discover**.
- Select **Setup** from the menu.
- Click **Create a NetWare Queue**.
- Select **NDS Mode**. Click **Next**.
- Select the container. Click **Next**.
- Select **Print Server Mode**. Click **Next**.
- Select or create a queue. Click **Execute**.

Launching the Utility

To launch the utility click

Start → **Programs** → **Sharp Setup Utility**
→ **Admin Manager**.

Activating the Optional Duplex Unit and Paper Trays

If your printer has a duplex unit or second paper tray installed, you must enter the driver and activate them. See page 6 for instructions on how to do this.

Local Installation

USB

Connect to the Computer

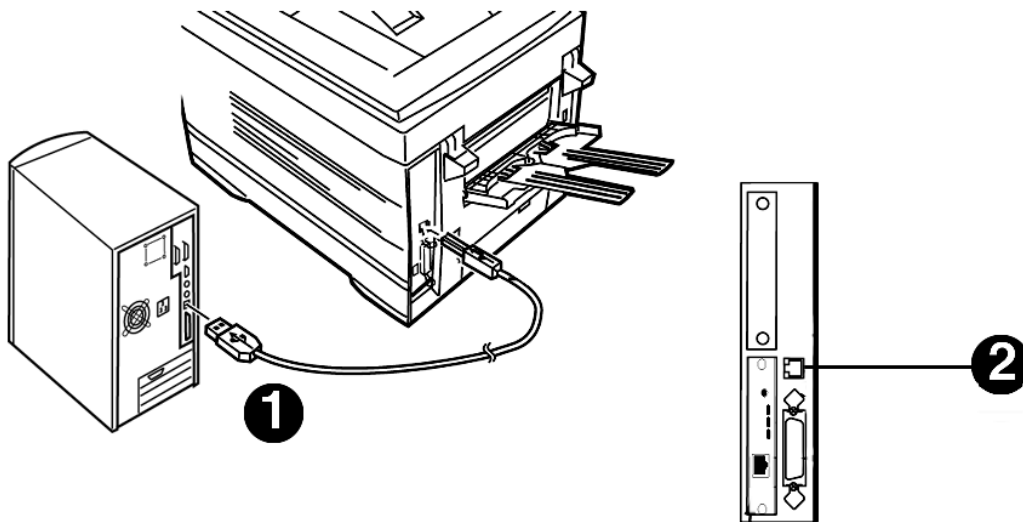


No USB interface cable is supplied with the printer. Use a USB cable that is compatible with USB specification 1.1.

Notes:

- A USB interface will only operate using Windows 2000, Windows Me, Windows XP, and Windows 98. It will not operate using MS-DOS, Windows 95, 3.1, or NT 4.0.
- Printer operation is not assured if another USB compatible device is connected concurrently with it.
- If a USB hub is used, it must be connected directly to the computer.

- Turn the computer and printer off.
- Connect the USB cable to the USB port on the computer (1).
- Connect the other end of the cable to the USB port on the printer (2).



USB

Install Printer Software for Windows 98

Install the PostScript Driver

- Make sure the USB cable is connected to your printer and PC and your printer is turned **OFF**.
- Insert the driver CD supplied with your printer into your CD-ROM drive. The CD will autorun. If it doesn't, click **Start** → **Run** → **Browse**. Browse to your CD-ROM drive and double-click **Install.exe**, click **OK**.
- The License Agreement appears. Click **Next** to accept.
- The Menu Installer Software Installation screen appears. Select your **language**.
- Select **Custom Install** to install the printer driver and the software utilities. To install only the printer driver, select **Quick Install** and skip the next step.
- Click the **Printer Driver Installer** button (Custom Install only).
- Click **Local printer**. Click **Next**.
- Select the **USB** port. Click **Next**.
- Select your printer model and PostScript (PS) emulation type (*the default setting*). Click **Next**. The printer driver installs.
- Connect cable screen displays. Click **Finish**.
- Switch your printer **ON**.
- Add New Hardware wizard starts. Click **Next**.
- Select "Search for the best driver for your device." Click **Next**.
- Select CD-ROM drive. Clear other choices. Click **Next**.
- The USB driver is located. Click **Next**. Click **Finish**.

Print a Test Page

- Click **Start** → **Settings** → **Printers**.
- Right-click the printer icon.
- Click **Properties**.
- Click the **Print Test Page** button.

Install the Printer Software Utilities

Return to the Menu Installer and click the Productivity Software button. Install each utility you want following the on-screen instructions.

To access the utility programs from your desktop, click **Start** → **Programs** → **Sharp**.

Activating the Optional Duplex Unit and Paper Trays

If your printer has a duplex unit or optional paper trays, you must enter the driver and activate them. See page 6 for instructions on how to do this.

To Install the PCL Driver as Well

- If you have installed the PostScript driver, you must reboot your system.
- Make sure the printer is powered OFF.
- Follow the instructions to install the PostScript driver. When prompted to select a port you want your printer to use, select **LPT1** temporarily.
- When prompted to select the printer emulation type, select **PCL**.
- When installation is complete, click **Finish**.

To enable the USB port:

- Click **Start** → **Settings** → **Printers**.
- Right click the printer icon, then click **Properties**.
- On the **Ports** tab, select **USB001 port** in the **Print to the following port** list.
- Click **OK**, then close the **Printers** dialog box.

To print a test page:

- Click the General Tab, click the Print Test Page button.

USB

Install Printer Software for Windows XP

Install the PostScript Driver

- Make sure the USB cable is connected to your printer and PC and your printer is turned **OFF**.
- Insert the driver CD supplied with your printer into your CD-ROM drive. The CD will autorun. If it doesn't, click **Start** → **Run** → **Browse**. Browse to your CD-ROM drive and double-click **Install.exe**, click **OK**.)
- The License Agreement appears. Click **Next**.
- The Menu Installer Software Installation screen appears. Select your language.
- Select **Custom Install** to install the printer driver and the software utilities. To install only the printer driver, select **Quick Install** and skip the next step.
- Click the **Printer Driver Installer** button.
- Click **Local printer**. Click **Next**.
- Select the **USB** port. Click **Next**.
- Select your printer model and PostScript (PS) emulation type (*the default setting*). Click **Next**. The printer driver installs.
- Connect cable screen displays.
- Switch your printer **ON**.
- Click **Finish**.

Print a Test Page

- Click **Start** → **Settings** → **Printers**.
- Right-click the printer icon.
- Click **Properties**.
- Click the **Print Test Page** button.

Install the Printer Software Utilities

Return to the Menu Installer and click the Productivity Software button. Install each utility you want following the on-screen instructions.

To access the utility programs from your desktop, click **Start** → **Programs** → **Sharp**.

Activating the Optional Duplex Unit and Paper Trays

If your printer has a duplex unit or optional paper trays, you must enter the driver and activate them. See page 6 for instructions on how to do this.

To Install the PCL Driver as Well

- If you have installed the PostScript Driver, you must reboot your system.
- Make sure the printer is powered OFF.
- Follow the instructions to install the PostScript driver. When prompted to select a port you want your printer to use, select **LPT1** temporarily.
- When prompted to select the printer emulation type, select **PCL**.
- When installation is complete, click **Finish**.

To enable the USB port:

- Click **Start** → **Settings** → **Printers**.
- Right click the printer icon, then click **Properties**.
- On the **Ports** tab, select **USB001 port** in the **Print to the following port** list.
- Click **OK**, then close the **Printers** dialog box.

To print a test page:

- Click the General Tab, click the Print Test Page button.

USB

Install Printer Software for Windows 2000

Install the PostScript Driver

- Make sure the USB cable is connected to your printer and PC and your printer is turned **OFF**.
- Insert the driver CD supplied with your printer into your CD-ROM drive. The CD will autorun. If it doesn't, click **Start** → **Run** → **Browse**. Browse to your CD-ROM drive and double-click **Install.exe**, click **OK**.
- The License Agreement appears. Click **Next**.
- The Menu Installer Software Installation screen appears. Select your language.
- Select **Custom Install** to install the printer driver and the software utilities. To install only the printer driver, select **Quick Install** and skip the next step.
- Click the **Printer Driver Installer** button.
- Click **Local printer**. Click **Next**.
- Select the **USB** port. Click **Next**.
- Select your printer model and PostScript (PS) emulation type (*the default setting*). Click **Next**. The printer driver installs.
- Connect cable screen displays. Click **Finish**.
- Switch your printer **ON**.
- Click **Finish**.

Print a Test Page

- Click **Start** → **Settings** → **Printers**.
- Right-click your printer model.
- Click **Properties**.
- Click the **Print Test Page** button.

Install Printer Software Utilities

Return to the Menu Installer and click the Productivity Software button. Install each utility you want following the on-screen instructions.

To access the utility programs from your desktop, click **Start** → **Programs** → **Sharp**.

Activating the Optional Duplex Unit and Paper Trays

If your printer has a duplex unit or paper trays, you must enter the driver and activate them. See page 6 for instructions on how to do this.

To Install the PCL Driver as Well

- If you have installed the PostScript Driver, you must reboot your system.
- Make sure the printer is powered **OFF**.
- Follow the instructions to install the PostScript driver. When prompted to select a port you want your printer to use, select **LPT1** temporarily.
- When prompted to select the printer emulation type, select **PCL**.
- When installation is complete, click **Finish**.

To enable the USB port:

- Click **Start** → **Settings** → **Printers**.
- Right click the printer icon, then click **Properties**.
- On the **Ports** tab, select **USB001 port** in the **Print to the following port** list.
- Click **OK**, then close the **Printers** dialog box.

To print a test page:

- Click the General Tab, click the Print Test Page button.

USB

Install Printer Software for Windows Me

Install the PostScript Driver

- Make sure the USB cable is connected to your printer and PC and your printer is turned **OFF**.
- Insert the driver CD supplied with your printer into your CD-ROM drive. The CD will autorun. If it doesn't, click **Start** → **Run** → **Browse**. Browse to your CD-ROM drive and double-click **Install.exe**, click **OK**.
- The License Agreement appears. Click **Next**.
- The Menu Installer Software Installation screen appears. Select your language.
- Select **Custom Install** to install the printer driver and the software utilities. To install only the printer driver, select **Quick Install** and skip the next step.
- Click the **Printer Driver Installer** button.
- Click **Local printer**. Click **Next**.
- Select the **USB** port. Click **Next**.
- Select your printer model and PostScript (**PS**) emulation. Click **Next**. The printer driver installs.
- Connect cable screen displays. Click **Finish**.
- Switch your printer **ON**.
- Add New Hardware wizard starts. Click **Next**.
- Select "Specify the location of the driver." Click **Next**.
- Select "Specify a location." Clear removable media. Click **Browse**.
- Scroll down and click on your CD-ROM drive. Click **OK**.
- Click **Next**. The USB driver is located.
- Click **Next**. Click **Finish**.

Print a Test Page

- Click **Start** → **Settings** → **Printers**.
- Right-click your **Sharp printer model**.
- Click **Properties**.
- Click the **Print Test Page** button.

Install Printer Software Utilities

Return to the Menu Installer and click the Productivity Software button. Install each utility you want following the on-screen instructions.

To access the utility programs from your desktop, click **Start** → **Programs** → **Sharp**.

Activating the Optional Duplex Unit and Paper Trays

If your printer has a duplex unit or optional paper trays, you must enter the driver and activate them. See page 6 for instructions on how to do this.

To Install the PCL Driver as Well

- If you have installed the PostScript Driver, you must reboot your system.
- Make sure the printer is powered OFF.
- Follow the instructions to install the PostScript driver. When prompted to select a port you want your printer to use, select **LPT1** temporarily.
- When prompted to select the printer emulation type, select **PCL**.
- When installation is complete, click **Finish**.

To enable the USB port:

- Click **Start** → **Settings** → **Printers**.
- Right click the printer icon, then click **Properties**.
- On the **Ports** tab, select **USB001 port** in the **Print to the following port** list.
- Click **OK**, then close the **Printers** dialog box.

To print a test page:

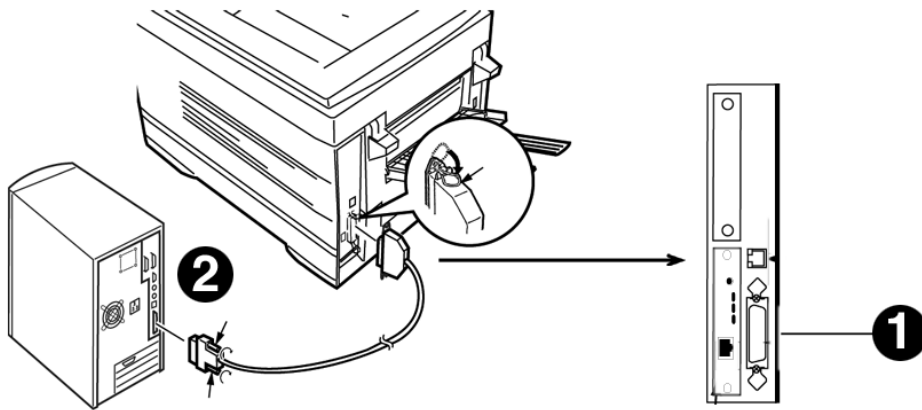
- Click the General Tab, click the Print Test Page button.

Local Installation

Parallel

Connect to the Computer

- Turn off both the computer and the printer.
Attach a standard IEEE-1284 parallel cable (not supplied) to the parallel port on the printer (**1**), securing it with the spring clips.
Attach the other end to the parallel port on the computer (**2**) and secure it in place with the screws.



Parallel

Install Printer Software

Drivers Supplied

The printer comes with two drivers: Adobe PostScript and PCL, for the following Windows systems:

- Windows 2000
- Windows Me, 98, XP
- Windows NT 4.0

Install the Postscript Driver

- Be sure the cable is connected and your printer is powered **OFF**.
- Insert the Printer Driver Installation CD into your CD-ROM drive. The CD will AutoPlay.
If it doesn't, click **Start** → **Run** → **Browse**. Browse to your CD-ROM drive and double-click **Install.exe**, then click **OK**.
- The License Agreement appears. Click **Next**.
- The Menu Installer Software Installation screen appears. Choose your language.
- Select **Custom Install** to install the printer driver and the software utilities. To install only the printer driver, select **Quick Install** and skip the next step.
- Click the **Printer Driver Installer** button.
- Select **Local printer**. Click **Next**.
- Select the **LPT1** port. Click **Next**.
- Select your printer model and Postscript (**PS**) emulation type (*the default setting*). Click **Next**.
- Printer name displays, click **Next**.
- If printer sharing displays, click **Next**.
- Follow the on-screen instructions to complete the installation. Click **Finish**.
- Turn printer power **ON**.

Print a Test Page

- Click **Start** → **Settings** → **Printers**.
- Right-click your **Sharp printer model**.
- Click **Properties**.
- Click the **Print Test Page** button.

Install Printer Software Utilities

Return to the Menu Installer and click the Productivity Software button. Install each utility you want following the on-screen instructions.

To access the utility programs from your desktop, click **Start** → **Programs** → **Sharp**.

Activating the Optional Duplex Unit and Optional Paper Trays

If your printer has a duplex unit or optional paper trays, you must enter the driver and activate them. See page 6 for instructions on how to do this.

To Install the PCL Driver as Well

- Click the **Printer Driver Installer** button in the Menu Installer.
- Follow the instructions to install the PostScript driver. When you are prompted for the Printer Emulation Type, select PCL.

To print a test page:

- Click the General Tab, click the Print Test Page button.

Macintosh® Installation

Connect to the Computer

Network

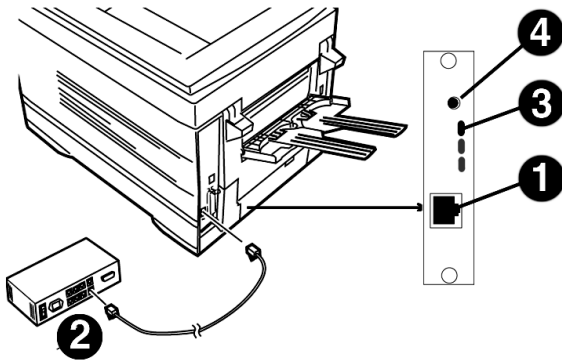
Notes:

- Requires Mac® OS 7.x or above, running on a Macintosh computer with EtherTalk interface.
- The Ethernet cable is not supplied with the printer. Use an Ethernet crossover cable with RJ45 connectors at either end.

Important!

Before connecting the network cable, install the Ferrite Core. See Page 4 for instructions.

- Turn the printer **OFF**.
Connect your Ethernet cable to the network port on the printer server (1).
- Connect the other end of the Ethernet cable to the network port (2).
- Turn the printer on and wait for the print server status light (3) to stop blinking.
- Press the Test button (4) on the print server. A configuration sheet prints.



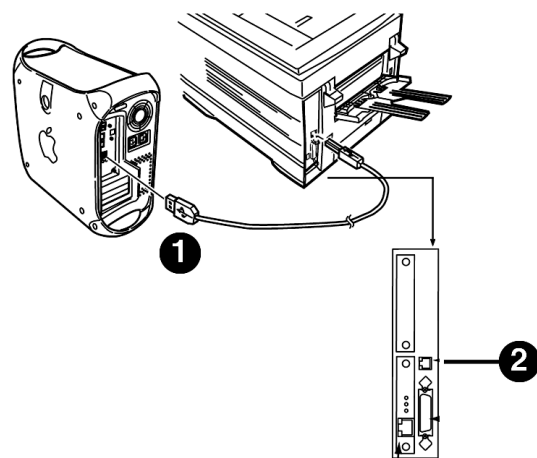
USB

- ! *No USB interface cable is supplied with the printer. Use a USB cable that is compatible with USB specification 1.1.*

Notes:

- Requires Mac OS 9.04 or higher
- Printer operation is not assured if another USB compatible device is connected concurrently with it.
- If a USB hub is used, it must be connected directly to the computer.
- Depending on the size of the document, if the memory setting for the print monitor is low, you may not be able to print in the background. To correct for this, increase the memory setting for the print monitor.
- Depending on the model you have, you may need to install updates to the operating system in order to use USB: e.g., iMac Update 1.0, iMac Update 1.1, iMac Firmware Update, etc. For further information, contact Apple Computers.

- Turn the computer and the printer **OFF**.
- Connect the USB cable to the USB port on the computer (1).
- Connect the other end of the cable to the USB Port on the printer (2)



Macintosh® Installation

Install Printer Software

OS 9.1 to 9.2.x

Install the Driver

- Turn the printer on, then turn the computer on.
- Place CD1, supplied with the printer, in the CD-ROM drive.
- Double-click the **Sharp CD** icon that appears on the desktop.
- Open the **MAC** folder.
- Open the **PSDRV** folder.
- Select your language.
- Double-click the **MAC Installer** icon, click **Continue**.
- Click **Accept** to accept the License Agreement.
- Select **Classic Easy Install** from the drop-down box to install only the printer driver. Or, to select the printer driver plus additional utilities and plugins, select **Custom Install**.
- Check the utilities you want to install.
- Click **Install**.
- Select your printer model, click **OK**.
- Click **Continue**.
- When the installation is complete, click **Quit**.

Create the Desktop Printer For a Network

- Activate **Chooser** from the Apple menu.
- Select the **LaserWriter8** icon and highlight the printer name (print server ID#).
- Click **Create**.
- Close **Chooser**.

! If you need to verify the printer name, press the print server test button to print the Configuration pages. The printer name is on the second page.

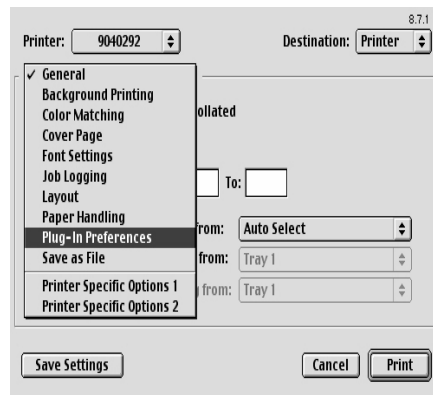


Create the Desktop Printer for USB

- Navigate to **Applications Mac OS 9 → Utilities**.
- Double-click the **Desktop Printer Utility** icon.
- In the drop-down box, select **LaserWriter 8**.
- Highlight **Printer (USB)** under Create Desktop. Click **OK**.
- Under USB Printer Selection, click **Change**.
- Highlight your Sharp printer model, click **OK**.
- Click **Create**. The Sharp printer icon appears on the desktop.
- Click **AutoSetup**.

Accessing Advanced Features

- Select **File** on the desktop menu.
- Click **Print Desktop** from the drop down menu.
- Select **Plugin Preferences** from the pull-down menu.

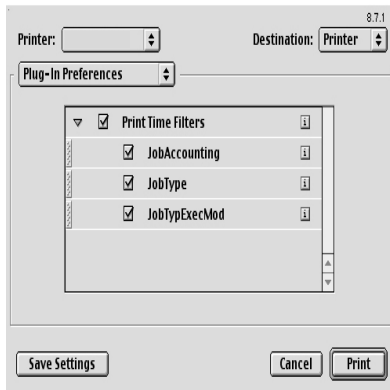


Macintosh® Installation

Install Printer Software

for OS 9.1 to 9.2.x (cont.)

- Click on the **Print Time Filters** triangle.
- Check **Print Time Filters**.
- Check **Print Time Filters, Job Accounting, and Job Type**.



- Click **Save Settings**. Click **OK**.

On-Line Manuals

For additional information on using printer features as well as printer utilities, see the on-line reference manual on CD2.

Requirements

- Microsoft Internet Explorer version 4.0 or higher and Acrobat Reader.

To Load the Manuals

! *In order to open the on-line manual, you must have Acrobat Reader installed.*

- Insert CD2 into your CD-ROM drive.
- From the CD contents folder, drag the **Manual** folder to the desktop.

Readme File

For the latest printer driver information, see the Readme file on CD1.

Macintosh® Installation

Install Printer Software

for OS X.1+ to OS X.3+

Install the Driver

! Be sure to switch off antivirus software before installing a printer driver.

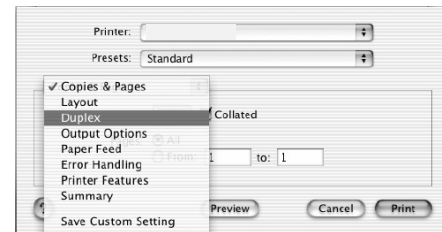
- Turn the printer on, then turn the computer on.
- Place the CD supplied with the printer in the CD-ROM drive.
- Double-click the **Sharp CD** icon that appears on the desktop.
- Open the MAC folder. Click **MAC** → **PSDRV** → **English**.
- Double-click the **Mac Installer** icon, click **Continue**.
- Click **Accept** to accept the software license agreement.
- Select the appropriate MAC OSX from the dropdown menu located in the left corner. Click **Install**.
- Select your printer model, click **OK**.
- Click **Continue**.
- Select the **Color Profiles OS X** from the dropdown menu. Click **Install**.
- Select your printer model and print resolution. Click **OK**.
- When the installation is complete, click **Quit**.

Adding the Printer

- Run the Print Center (or Print Setup Utility X.3). Click **Add** printer.
- Select **IP Printing** from the drop down menu.
Note: If you are using USB, select USB and disregard the following steps.
- Enter the printer's IP address.
- From the Printer Model drop down menu, select the correct PPD for your printer model. Click **Add**.
- Quit the Print Center.

Activating the Optional Duplex Unit

- From your application, click **File** → **Print** → **Duplex**.



- Select the Duplex binding.
- Click **Print**.

Installing Job Accounting for Mac Clients

Note: Requires OS 10.2 or later.

- Double-click the Sharp CD icon on the desktop. Open the MAC folder. Click **MAC** → **OSXJob Accounting** → **English**.
- Select the appropriate OS version.
- Enter the System Logon Password. Follow the on-screen instructions.

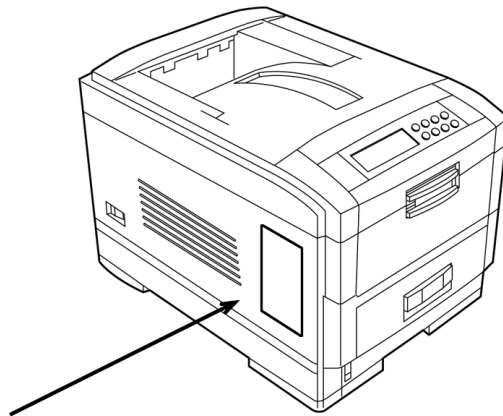
On-Line Manuals

For additional information on using printer features as well as printer utilities, see the on-line reference manual. See page 17 for loading instructions.

See the Readme file for the latest printer driver information.

Install the Handy Reference

- Remove the backing from the Velcro® strip on the back of the Handy Reference and apply the Handy Reference to the printer.



Support Resources

- Consult the Sharp Authorized Dealer where you purchased your printer.
- To find the authorized Sharp servicing dealer closest to you, please visit us on-line at www.sharpUSA.com.

Adobe and PostScript are trademarks of Adobe Systems, Inc. which may be registered in certain jurisdictions.

Ethernet is a registered trademark of Digital Equipment Corporation.

EtherTalk, LaserWriter, Mac and Macintosh are registered trademarks of Apple Computer, Inc.

Adobe and PostScript are trademarks of Adobe Systems, Inc. which may be registered in certain jurisdictions.

Ethernet is a registered trademark of Digital Equipment Corporation.

EtherTalk, LaserWriter, Mac and Macintosh are registered trademarks of Apple Computer, Inc.

Microsoft and Windows are either registered trademarks or trademarks of Microsoft Corporation in the United States and other countries.

Novell and NetWare are registered trademarks of Novell Corporation in the United States and other countries.

PCL is a registered trademark of Hewlett Packard Company.

UNIX is a registered trademark of The Open Group.

Velcro is a registered trademark of Velcro Industries B.V.