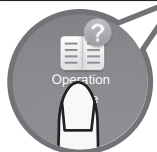


Start Guide



Tap!

You can select and print a manual.

Read and understand the manuals, and use the product correctly.
Keep this manual close at hand for reference whenever needed.

TABLE OF CONTENTS

CAUTIONS	2
ENVIRONMENT	5
SUPPLIES	5
PART NAMES	6
TURNING ON THE POWER	6
OPERATION MANUALS AND HOW TO USE THEM	7
FOR THE USERS OF THE FAX FUNCTION	7
FOR THE ADMINISTRATOR	9
SOFTWARE LICENSE	9
SPECIFICATIONS	10

CAUTIONS

Each instruction also covers the optional units used with these products. For a complete electrical disconnection, pull out the main plug. The socket-outlet shall be installed near the equipment and shall be easily accessible.

Notice for users in the USA

BE SURE TO ASK YOUR AUTHORIZED SHARP DEALER ABOUT THE WARRANTY THAT YOUR SELLING DEALER EXTENDS TO YOU. In order to assure you, the end-user, of warranty protection, Sharp extends a limited warranty to each of its authorized dealers and, in turn, requires each of its authorized dealers to extend its own warranty to you on terms that are no less favorable than those given to the dealer by Sharp. You should be aware, however, that Sharp does not itself extend any warranties, either express or implied, directly to you, the end-user, and no one is authorized to make any representations or warranties on behalf of Sharp. Specifically, SHARP DOES NOT EXTEND TO YOU, THE END-USER, ANY EXPRESS WARRANTY OR ANY IMPLIED WARRANTY OF MERCHANTABILITY, FITNESS FOR USE OR FITNESS FOR ANY PARTICULAR PURPOSE IN CONNECTION WITH THE HARDWARE, SOFTWARE OR FIRMWARE EMBODIED IN, OR USED IN CONJUNCTION WITH THIS PRODUCT.

Sharp is not responsible for any damages or loss, either direct, incidental or consequential, which you, the end-user, may experience as a result of your purchase or use of the hardware, software or firmware embodied in or used in conjunction with this Product.

Your sole remedy, in the event that you encounter any difficulties with this Product, is against the authorized dealer from which you purchased the Product.

MX-7081/MX-8081

Digital Full color Multifunctional System

In the event that this authorized dealer does not honor its warranty commitments, please contact the General Manager, Business Products Group, Sharp Electronics Corporation, 100 Paragon Drive, Montvale, New Jersey 07645-1779, so that Sharp can try to help assure complete satisfaction of all the warranty rights to which you are entitled from the authorized dealer.

Shielded interface cables must be used with this equipment to maintain compliance with EMC regulations.

This equipment complies with FCC radiation exposure limits set forth for an uncontrolled environment and meets the FCC radio frequency (RF) Exposure Guidelines.

This equipment should be installed and operated keeping the radiator at least 20cm or more away from person's body (excluding extremities: hands, wrists, feet and ankles).

Supplier's Declaration of Conformity SHARP Digital Full Color Multifunctional System, MX-7081/MX-8081.

This device complies with Part 15 of the FCC Rules. Operation is subject to the following two conditions: (1) This device may not cause harmful interference, and (2) this device must accept any interference received, including interference that may cause undesired operation.

Responsible Party: SHARP ELECTRONICS CORPORATION
100 Paragon Drive, Montvale,
New Jersey 07645-1779
TEL: 1-800-BE-SHARP

Safety precautions

This Digital Equipment is rated Class 1 and complies with 21 CFR 1040.10 and 1040.11 of the CDRH standards. This means that the equipment does not produce hazardous laser radiation. For your safety, observe the precautions below.

- Do not remove the cabinet, operation panel or any other covers.
- The equipment's exterior covers contain several safety interlock switches. Do not bypass any safety interlock by inserting wedges or other items into switch slots.

Laser information

Use of controls or adjustments or performance of procedures other than those specified herein may result in hazardous radiation exposure.

This Digital Equipment is CLASS 1 LASER PRODUCT (IEC 60825-1 Edition 2-2007).

"BATTERY DISPOSAL"

THIS PRODUCT CONTAINS A LITHIUM PRIMARY MEMORY BACK-UP BATTERY THAT MUST BE DISPOSED OF PROPERLY. PLEASE CONTACT YOUR LOCAL SHARP DEALER OR AUTHORIZED SERVICE REPRESENTATIVE FOR ASSISTANCE IN DISPOSING OF THIS BATTERY.

This product utilizes a CR coin Lithium battery which contains a Perchlorate material. Special handling for this material may apply, California residents, See www.dtsc.ca.gov/hazardouswaste/perchlorate/ Others, consult local environmental officers.

FOR YOUR RECORDS ...

To protect against loss or theft, record and retain for reference the machine's serial number located at the lower left corner of the left side of the machine.

Model Number _____
Serial Number _____
Date of Purchase _____
Place of Purchase _____
Authorized Sharp Printer _____
Service Department Number _____

Warranty

While every effort has been made to make this document as accurate and helpful as possible, SHARP Corporation makes no warranty of any kind with regard to its content. All information included herein is subject to change without notice. SHARP is not responsible for any loss or damages, direct or indirect, arising from or related to the use of this operation manual. © Copyright SHARP Corporation 2020. All rights reserved. Reproduction, adaptation or translation without prior written permission is prohibited, except as allowed under copyright laws.

EMC (this machine and peripheral devices)

WARNING:

FCC Regulations state that any unauthorized changes or modifications to this equipment not expressly approved by the manufacturer could void the user's authority to operate this equipment.

A Cable of 10 m or less is preferable.

This equipment has been tested and found to comply with the limits for a Class A digital device, pursuant to Part 15 of the FCC Rules.

These limits are designed to provide reasonable protection against harmful interference when the equipment is operated in a commercial environment. This equipment generates, uses, and can radiate radio frequency energy and, if not installed and used in accordance with the instruction manual, may cause harmful interference to radio communications. Operation of this equipment in a residential area is likely to cause harmful interference in which case the user will be required to correct the interference at his own expense.

This device complies with part 15 of the FCC Rules. Operation is subject to the following two conditions: (1) This device may not cause harmful interference, and (2) this device must accept any interference received, including interference that may cause undesired operation.

Wireless LAN

The communication range of wireless LAN may shorten or communication may not be possible in some usage environments, due to shielding materials, the installation location, the effects of ambient radio noise, data transmission speed, and other factors.

This transmitter must not be co-located or operated in conjunction with any other antenna or transmitter.

Symbols in this manual

To ensure safe use of the machine, this manual uses various safety symbols. The safety symbols are classified as explained below. Be sure you understand the meaning of the symbols when reading the manual.

Meaning of the symbols



WARNING

Indicates a risk of death or serious injury.



CAUTION

Indicates a risk of human injury or property damage.



CAUTION! HOT



DO NOT DISASSEMBLE



PINCH POINT KEEP CLEAR



MANDATORY ACTIONS



PROHIBITED ACTIONS

Power notes



WARNING



Be sure to connect the power cord only to a power outlet that meets the specified voltage and current requirements. Also make certain the outlet is properly grounded. Do not use an extension cord or adapter to connect other devices to the power outlet used by the machine. Using an improper power supply may cause fire or electrical shock.

* For the power supply requirements, see the name plate on the left side of the machine.



Do not damage or modify the power cord.

Placing heavy objects on the power cord, pulling it, or forcibly bending it will damage the cord, resulting in fire or electrical shock.



Do not insert or remove the power plug with wet hands.

This may cause electrical shock.



CAUTION



When removing the power plug from the outlet, do not pull on the cord.

Pulling on the cord may cause damage such as wire exposure and breakage, and may result in fire or electrical shock.



If you will not use the machine for a long time, be sure to remove the power plug from the outlet for safety.



When moving the machine, switch off the main power and remove the power plug from the outlet before moving.

The cord may be damaged, will create a risk of fire or electrical shock.

Installation notes



CAUTION



Do not install the machine on an unstable or slanted surface. Install the machine on a surface that can withstand the weight of the machine.

Risk of injury due to the machine falling or toppling. If peripheral devices are to be installed, do not install on an uneven floor, slanted surface, or otherwise unstable surface. Danger of slippage, falling, and toppling. Install the product on a flat, stable surface that can withstand the weight of the product.



Do not install the equipment on a stand made of glass.



Do not install in a location with moisture or dust.

Risk of fire and electrical shock. If dust enters the machine, dirty output and machine failure may result.



Locations that are excessively hot, cold, humid, or dry (near heaters, humidifiers, air conditioners, etc.)

The paper will become damp and condensation may form inside the machine, causing misfeeds and dirty output. If the location has an ultrasonic humidifier, use pure water for humidifiers in the humidifier. If tap water is used, minerals and other impurities will be emitted, causing impurities to collect on the inside of the machine and create dirty output.



When the machine is installed, the adjusters must be lowered to the floor to secure the machine (prevent it from moving).

Rotate the adjusters in the locking direction until they are in firm contact with the floor.

If you find it necessary to reposition the machine due to rearrangement of your office layout or other reason, retract the adjusters from the floor, turn off the power, and then move the machine. (After moving the machine, lower the adjusters again to secure the machine.)



Locations exposed to direct sunlight

Plastic parts may become deformed and dirty output may result.



Locations with ammonia gas

Installing the machine next to a diazo copy machine may cause dirty output.



Do not install the machine in a location with poor air circulation.

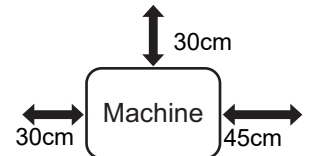
A small amount of ozone is created inside the machine during printing. The amount of ozone created is not sufficient to be harmful; however, an unpleasant odor may be noticed during large copy runs, and thus the machine should be installed in a room with a ventilation fan or windows that provide sufficient air circulation. (The odor may occasionally cause headaches.)

* Install the machine so that people are not directly exposed to exhaust from the machine. If installed near a window, ensure that the machine not be exposed to direct sunlight.



Near a wall

Be sure to allow the required space around the machine for servicing and proper ventilation. (The machine should be no closer than the distances indicated below from walls.)



Locations subject to vibration.

Vibration may cause failure.



The machine includes a built-in local drive. Do not subject the machine to shock or vibration. In particular, never move the machine while the power is on.

- The machine should be installed near an accessible power outlet for easy connection.
- Connect the machine to a power outlet which is not used for other electric appliances. If a lighting fixture is connected to the same outlet, the light may flicker.

About consumables



CAUTION



Do not throw a toner cartridge into a fire.

Toner may fly and cause burns.



Store a toner cartridge out of the reach of children.

Handling precautions



WARNING



Do not place a container of water or other liquid, or a metal object that might fall inside, on the machine.

If the liquid spills or the object falls into the machine, fire or electrical shock may result.



Do not remove the machine casing.

High-voltage parts inside the machine may cause electrical shock.



Do not make any modifications to this machine.
Doing so may result in personal injury or damage to the machine.



Do not use a flammable spray to clean the machine.
If gas from the spray comes in contact with hot electrical components or the fusing unit inside the machine, fire or electrical shock may result.



If you notice smoke, a strange odor, or other abnormality, do not use the machine.
If used in this condition, fire or electrical shock may result. Immediately switch off the main power and remove the power plug from the power outlet. Contact your dealer or nearest SHARP Service Department.



If a thunder storm begins, switch off the main power and remove the power plug from the outlet to prevent electrical shock and fire due to lightning.



If a piece of metal or water enters the machine, switch off the main power and remove the power plug from the power outlet.
Contact your dealer or nearest SHARP Service Department. Using the machine in this condition may result in electrical shock or fire.



CAUTION



Do not look directly at the light source.
Doing so may damage your eyes.



Do not block the ventilation ports on the machine. Do not install the machine in a location that will block the ventilation ports.
Blocking the ventilation ports will cause heat to build up in the machine, creating a risk of fire.



The fusing unit and paper exit area are hot. When removing a misfeed, do not touch the fusing unit and paper exit area. Take care not to burn yourself.



When loading paper, removing a misfeed, performing maintenance, closing the front and side covers, and inserting and removing trays, take care that your fingers are not pinched.

ENVIRONMENT



Products that have earned the ENERGY STAR® are designed to protect the environment through superior energy efficiency.

The products that meet the ENERGY STAR® guidelines carry the ENERGY STAR® logo.

The products without the logo may not meet the ENERGY STAR® guidelines.

Safety data sheet

The SDS (Safety Data Sheet) can be viewed at the following URL address:

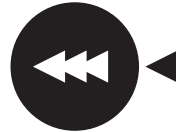
<https://global.sharp/corporate/eco/env-info/sds/us/index.html>

SUPPLIES

Standard supplies for this product that can be replaced by the user include paper and toner cartridges.

Be sure to use only SHARP-specified products for the toner cartridges and transparency film.

SHARP



GENUINE SUPPLIES

For best copying results, be sure to use only Sharp Genuine Supplies which are designed, engineered, and tested to maximize the life and performance of Sharp products. Look for the Genuine Supplies label on the toner package.

Storage of supplies

Proper storage

1. Store the supplies in a location that is:
 - clean and dry,
 - at a stable temperature,
 - not exposed to direct sunlight.
2. Store paper in the wrapper and lying flat.
3. Paper stored in packages standing up or out of the wrapper may curl or become damp, resulting in paper misfeeds.

Storing toner cartridges

Store a new toner cartridge box horizontally with the top side up. Do not store a toner cartridge standing on end. If stored standing on end, the toner may not distribute well even after shaking the cartridge vigorously, and will remain inside the cartridge without flowing out.

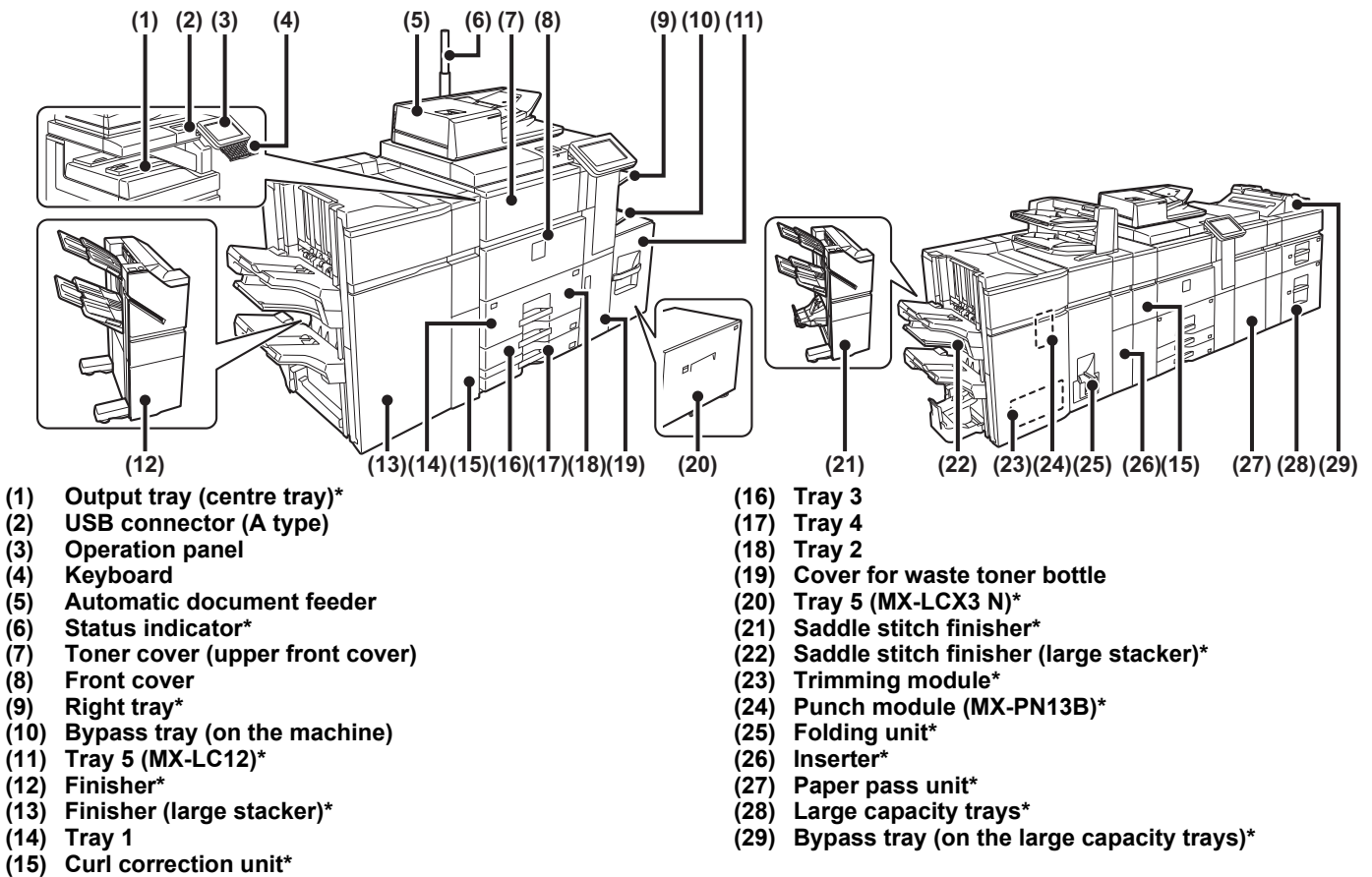
- Store the toner in a location that is cooler than 104°F (40°C). Storage in a hot location may cause the toner in the cartridge to solidify.
- Please use SHARP-recommended toner cartridges. If toner cartridges other than SHARP-recommended toner cartridges are used, the machine may not attain full quality and performance and there is a risk of damage to the machine.

Supply of spare parts and consumables

The supply of spare parts for repair of the machine is guaranteed for at least 7 years following the termination of production. Spare parts are those parts of the machine which may break down within the scope of the ordinary use of the product, whereas those parts which normally exceed the life of the product are not to be considered as spare parts.

Consumables too, are available for 7 years following the termination of production.

PART NAMES



*Peripheral device.

TURNING ON THE POWER

Operate two power switches: the main power switch inside the front cover, located in the lower left corner, and the [Power] button on the operation panel.

Turning on the power

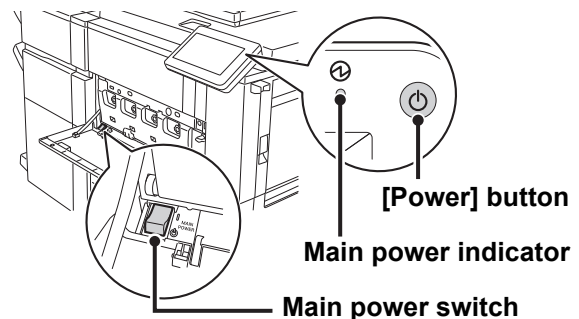
Turn the main power switch to the " | " position.
When the main power indicator lights in green, press the [Power] button.

Turning off the power

Turn off the power by pressing the [Power] button, then turn the main power switch to the " ⏻ " position.

Restart the machine

Turn off the power by pressing the [Power] button and then press it again to turn on the power.




- When turning off the main power switch, press the [Power] button on the operation panel and then turn the main power switch to the " ⏻ " position.
In a sudden case of main power outage, turn the power for the machine back on and then turn it off in the correct order. If the machine is left for a long time with the main power having been turned off prior to the [Power] button is turned off, abnormal noises, degraded image quality or other problems may result.
- Turn off both the [Power] button and the main power switch and unplug the power cord if you suspect a machine failure, if there is a bad thunderstorm nearby, or when you are moving the machine.



- When using the fax or Internet fax function, always keep the main power switch in the " | " position.
- In order for some settings to take effect, the machine must be restarted. In some states of the machine, restarting with the [Power] button may not make the settings take effect. In this case, turn off the main power switch and then turn it on again.

OPERATION MANUALS AND HOW TO USE THEM

Operation Guide (Displayed on the touch panel)

This guide appears when you tap the  icon on the machine's touch panel. The guide explains the basic procedures for operating the machine. In addition, the manuals below can be printed.

The Operation Guide, which is a more detailed manual, can be downloaded from the machine's Web pages.

Quick Start Manual

This manual is intended to help you get started using the basic and convenient functions of the machine.

User's Manual (Download only)

Operation manual that provides detailed explanations of the functions that can be used on the machine.

User's Manual (Touch Panel Operation) (Download only)

This manual explains how to operate the touch panel and customize the user interface.

User's Manual (Web Page Settings)

This manual explains the procedures for configuring machine settings from your computer using the web page settings function embedded in the machine.

User's Manual (Address Book Registration)

This manual explains how to register, edit, and delete the address book.

* Manual types may be updated. For more information, see our website.

Software Setup Guide

This guide explains how to install the software and configure settings to use the machine as a printer or scanner.

Print Release Guide (Download only)

This guide explains how to use the print release function. When you have multiple MFPs that support the print release function on the same network, you can access and print the data that is saved on a MFP from any other MFPs.

Cloud Connect Guide (Download only)

This guide explains how to connect the machine to a cloud service on the Internet, enabling you to upload scanned data and print data stored in the cloud.

Troubleshooting

This manual provides answers to frequently asked questions regarding the operation of the machine in each mode.

AirPrint Guide (Download only)

This guide explains how to use AirPrint.

FOR THE USERS OF THE FAX FUNCTION

Important safety instructions

- If any of your telephone equipment is not operating properly, you should immediately remove it from your telephone line, as it may cause harm to the telephone network.
- Never install telephone wiring during a lightning storm.
- Never install telephone jacks in wet locations unless the jack is specifically designed for wet locations.
- Never touch uninsulated telephone wires or terminals unless the telephone line has been disconnected at the network interface.
- Use caution when installing or modifying telephone lines.
- Avoid using a telephone (other than a cordless type) during an electrical storm. There may be a remote risk of electric shock from lightning.
- Do not use a telephone to report a gas leak in the vicinity of the leak.
- Do not install or use the machine near water, or when you are wet. Take care not to spill any liquids on the machine.
- Save these instructions.

FAX interface cable and Line cable

To reduce the risk of fire, use only UL-Listed No.26 AWG or larger telecommunication line cord.

About the Telephone Consumer Protection Act of 1991

The Telephone Consumer Protection Act of 1991 makes it unlawful for any person to use a computer or other electronic device, including FAX machines, to send any message unless

such message clearly contains in a margin at the top or bottom of each transmitted page or on the first page of the transmission, the date and time it is sent and an identification of the business or other entity, or other individual sending the message and the telephone number of the sending machine or such business, other entity, or individual.

(The telephone number provided may not be a 900 number or any other number for which charges exceed local or long-distance transmission charges.)

In order to program this information into your FAX machine, you should complete the following steps:

See "Own Name and Destination Set" of User's Manual.

FCC Notice to users

This equipment complies with Part 68 of the FCC rules and the requirements adopted by the ACTA.

On this equipment is a label that contains, among other information, a product identifier in the format US:AAAEQ##TXXXX.

If requested, this number must be provided to the telephone company.

The REN is used to determine the number of devices that may be connected to a telephone line.

Excessive RENs on a telephone line may result in the devices not ringing in response to an incoming call.

In most but not all areas, the sum of RENs should not exceed five (5.0).

To be certain of the number of devices that may be connected to a line, as determined by the total RENs, contact the local telephone company.

For products approved after July 23, 2001, the REN for this product is part of the product identifier that has the format US:AAAEQ##TXXXX.

The digits represented by ## are the REN without a decimal point (e.g., 03 is a REN of 0.3).

For earlier products, the REN is separately shown on the label. If this equipment causes harm to the telephone network, your telephone company may disconnect your service temporarily. If possible, They will notify you in advance. If advance notice is not practical, you will be notified as soon as possible. You will also be advised of your right to file a complaint with the FCC. Your telephone company may make changes in its facilities, equipment, operations, or procedures that could affect the operation of your equipment. If this happens, the telephone company will provide advance notice in order for you to make necessary modifications to maintain uninterrupted service. If the equipment is causing harm to the telephone network, your telephone company may ask you to disconnect the equipment until the problem is resolved.

If you have any questions or problems which cannot be solved by reading this manual, please contact.

Sharp Electronics Corporation
100 Paragon Drive, Montvale,
New Jersey 07645-1779
Telephone: 1-800-BE-SHARP

A plug and jack used to connect this equipment to the premises wiring and telephone network must comply with the applicable FCC Part 68 rules and requirements adopted by the ACTA.

A compliant telephone cord and modular plug is provided with this product.

It is designed to be connected to a compatible modular jack that is also compliant. See installation instructions for details. This equipment connects to the telephone network through a standard USOC RJ-11C network interface jack.

If your home has specially wired alarm equipment connected to the telephone line, ensure the installation of this equipment does not disable your alarm equipment.

If you have questions about what will disable alarm equipment, consult your telephone company or a qualified installer.

This equipment may not be used on coin service provided by the telephone company.

Connection to party lines service is subject to state tariffs. Contact your state's public utility commission, public service commission or corporation commission for more information.

Notice for users in the CANADA

This product meets the applicable Innovation, Science and Economic Development Canada technical specifications.

The Ringer Equivalence Number (REN) indicates the maximum number of devices allowed to be connected to a telephone interface. The termination of an interface may consist of any combination of devices subject only to the requirement that the sum of the RENs of all the devices not exceed five.

The REN of this equipment is indicated on the machine.

This equipment complies with IC radiation exposure limits set forth for an uncontrolled environment and meets RSS-102 of the IC radio frequency (RF) Exposure rules. This equipment should be installed and operated keeping the radiator at least 20cm or more away from person's body (excluding extremities: hands, wrists, feet and ankles).

This device complies with industry Canada licence -exempt RSS standard(s). Operation is subject to the following two conditions:

- (1) this device may not cause interference ,and
- (2) this device must accept any interference, including interference that may cause undesired operation of this device.

AVIS POUR NOS UTILISATEURS AU CANADA

Le présent produit est conforme aux spécifications techniques applicables d'Innovation, Sciences et Développement économique Canada.

L'indice d'équivalence de la sonnerie (IES) sert à indiquer le nombre maximal de dispositifs qui peuvent être raccordés à une interface téléphonique. La terminaison d'une interface peut consister en une combinaison quelconque de dispositifs, à la seule condition que la somme des IES de tous les dispositifs n'excède pas cinq.

L'indice d'équivalence de la sonnerie (IES) de cet équipement est indiqué sur la machine.

Sharp Electronics of Canada Ltd.
335 Britannia Road East,
Mississauga, Ontario, L4Z 1W9
Canada

Cet équipement est conforme aux limites d'exposition aux rayonnements énoncées pour un environnement non contrôlé et respecte les règles d'exposition aux fréquences radioélectriques (RF) CNR-102 de l'IC. Cet équipement doit être installé et utilisé en gardant une distance de 20 cm ou plus entre le dispositif rayonnant et le corps (à l'exception des extrémités : mains, poignets, pieds et chevilles).

Le présent appareil est conforme aux CNR d'Industrie Canada applicables aux appareils radio exempts de licence. L'exploitation est autorisée aux deux conditions suivantes :

- (1) l'appareil ne doit pas produire de brouillage, et
- (2) l'utilisateur de l'appareil doit accepter tout brouillage radioélectrique subi, même si le brouillage est susceptible d'en compromettre le fonctionnement.

Notice for users in Mexico

"La operación de este equipo está sujeta a las siguientes dos condiciones:

- (1) es posible que este equipo o dispositivo no cause interferencia perjudicial y
- (2) este equipo o dispositivo debe aceptar cualquier interferencia, incluyendo la que pueda causar su operación no deseada".

FOR THE ADMINISTRATOR

Settings mode password

The administrator password is required to change the machine's settings mode.

Settings mode can be changed from either the operation panel or using a computer web browser. After setting up the machine, refer to [SETTINGS MODE] in the User's Manual to set a new password.

Password for logging in from this machine

The factory default password for the machine is "admin".

Password for logging in from a computer

In the factory default state, the only account that can be used to log in from a web browser is the "Administrator" account. When user authentication is enabled, the "System Administrator" account can be also be used for login. In addition, a fixed user can be specified as a login user. The default password of each account is shown below. When you log in as an "Administrator" or "System Administrator", you can manage all settings that can be accessed from a web browser.

	Account	Password
User	users	users
Administrator	admin	admin
System Administrator	sysadmin	sysadmin

Forwarding all transmitted and received data to the administrator (document administration function)

This function is used to forward all data transmitted and received by the machine to a specified destination (Scan to E-mail address, Scan to FTP destination, Scan to Network Folder destination, or Scan to Desktop destination). This function can be used by the administrator of the machine to archive all transmitted and received data. To configure the document administration settings, click [Security Settings] and then [Document Administration Function] in the Web page menu. (Administrator rights are required.)



- The format, exposure, and resolution settings of transmitted and received data remain in effect when the data is forwarded.
- When forwarding is enabled for data sent in fax mode,
 - The [Direct TX] key does not appear in the touch panel.
 - Quick online transmission and dialing using the speaker cannot be used.

Points to notice when connecting to the network

When connecting the machine to the network. Connect to the sub network (range divided by the router) in which only the authorized device (such as PC) for the communication with the machine in the protected LAN in some way like firewall is connected. And manage the connected devices in the sub network so that the network condition may always be maintained. Also use the filter setting function to prevent illegal access.

SOFTWARE LICENSE

The Software License will appear when you download the software*1 or install the software from the CD-ROM*2.

By downloading and using the software, you are agreeing to the bound by the terms of the Software License.

*1: If the software is obtained from our website.

*2: If the "Software CD-ROM" is provided with the machine.

Document filing

The machine includes the document filing function, which stores document image data on the machine's local drive. Stored documents can be called up and printed or transmitted as needed. If a local drive failure occurs, it will no longer be possible to call up the stored document data. To prevent the loss of important documents in the unlikely event of a local drive failure, keep the originals of important documents or store the original data elsewhere.

With the exception of instances provided for by law, Sharp Corporation bears no responsibility for any damages or loss due to the loss of stored document data.



About password management

It is requested to change the administrator password right after installing the machine. The password should be changed by the administrator and strictly managed. Write down the changed password in the following table and keep it carefully. **Please write "New Password".**

Factory default		New Password
Administrator password	admin	



Please take care not to forget newly set administrator password. If it is forgotten there is no way to confirm it and some settings and functions that require administrator authorization may not be used.

About password management

A unique administrator password is required before using the device for the first time. When the device is powered on for the first time, the following dialogue will be displayed to change the default administrator password to a unique password (5 to 255 one byte characters).



For security reasons, it is not recommended that the machine is connected to a network before changing the administrator password.

Change Administrator Password

- (1) Tap the [Current Password] text box and enter the factory default password.
The factory default password for the machine is "admin".
- (2) Tap the [New Password] text box and enter the new password.
Enter a password consisting of 5 to 255 characters.
- (3) Tap the [New Password (confirmation)] text box and enter the new password.
Enter the same password entered at step (2) for confirmation.
- (4) Tap the [Do not show again] key checkbox to .
If the checkbox is left as , the [Change Administrator Password] screen will be displayed again at the next time the machine is turned on.
- (5) Tap the [Change] key.
The new password is assigned to the device. If the [Skip] key is selected, the [Change Administrator Password] screen will be closed without changing the current password.

It is strongly recommended to assign a strong administrator password and the password should be managed by authorized personnel. Please securely store the assigned password.

SPECIFICATIONS

Basic Specifications / Copier Specifications

Name	MX-7081/MX-8081			
Type	Console			
Color	Full color			
Copier system	Laser electrostatic copier			
Resolution	Read (B/W): 600 x 600 dpi, 600 x 400 dpi Read (color): 600 x 600 dpi Write: 1200 x 1200 dpi (only B/W in copy mode), 600 x 600 dpi, equivalent to 9600 dpi x 600 dpi			
Gradation	Scan: equivalent to 256 levels Print: equivalent to 256 levels			
Original paper sizes	Max. 11" x 17" (A3) for sheets and bound documents			
Copy sizes	13" x 19" to 5-1/2" x 8-1/2"R (A3 wide to A5R), Plain paper, Thin paper, Transparency film, Heavy paper, Tab paper, Label, Glossy paper, Emboss, Custom Tray 1: 8-1/2" x 11", A4 Tray 2: 8-1/2" x 11", A4 Tray 3: 12" x 18", 11" x 17", 8-1/2" x 14", 8-1/2" x 13-1/2", 8-1/2" x 13-2/5", 8-1/2" x 13", 8-1/2" x 11", 8-1/2" x 11"R, 7-1/4 x 10-1/2"R, A3 wide, A3, B4, A4 wide, A4, A4R, B5, B5R Tray 4: 12" x 18", 11" x 17", 8-1/2" x 14", 8-1/2" x 13-1/2", 8-1/2" x 13-2/5", 8-1/2" x 13", 8-1/2" x 11", 8-1/2" x 11"R, 7-1/4 x 10-1/2"R, 5-1/2" x 8-1/2"R, A3 wide, A3, B4, A4 wide, A4, A4R, B5, B5R, A5R, Monarch, Custom (5.875" to 18" x 4" to 12" (148 to 457 mm x 100 to 305 mm)) Bypass*: 13" x 19", 12" x 18", 11" x 17", 8-1/2" x 14", 8-1/2" x 13-1/2", 8-1/2" x 13-2/5", 8-1/2" x 13", 8-1/2" x 11", 8-1/2" x 11"R, 7-1/4 x 10-1/2"R, 5-1/2" x 8-1/2"R, A3 wide, A3, B4, A4 wide, A4, A4R, B5, B5R, A5R, SRA3, SRA4, Monarch, COM-9, COM-10, DL, C4, C5, C6, Custom (5.5" to 19.2" x 3.625" to 13" (140 to 488 mm x 90 to 330 mm)) Lost margin Leading edge: 11/64" ± 3/64" (4 mm ± 1 mm) Trailing edge: 3/32" to 13/64" (2 mm to 5 mm) Leading edge / Trailing edge: total 21/64" (8 mm) or less Left edge / Right edge: total 11/64" ± 3/32" (4 mm ± 2 mm) Maximum print area: 12-9/16" x 50-7/8" (319 mm x 1292 mm)			
Paper type	Tray 1/2:	Plain		
	Tray 3:	Plain, Heavy paper (26 lbs. bond to 110 lbs. Cover (106 g/m ² to 300 g/m ²))		
	Tray 4:	Plain, Heavy paper (26 lbs. bond to 110 lbs. Cover (106 g/m ² to 300 g/m ²)), Transparency film, Label, Tab paper, Emboss, Envelope		
	Bypass*:	Plain, Heavy paper (26 lbs. bond to 110 lbs. Cover (106 g/m ² to 300 g/m ²)), Transparency film, Label, Tab paper, Emboss, Thin paper, Envelope, Glossy paper		
	Paper weight:	Tray 1/2: 16 lbs. bond to 28 lbs. bond (60 g/m ² to 105 g/m ²) Tray 3/4: 16 lbs. bond to 110 lbs. Cover (60 g/m ² to 300 g/m ²) Bypass*: 13 lbs. bond to 110 lbs. Cover (55 g/m ² to 300 g/m ²)		
		• Some usage conditions or paper types may prevent correct printing.		
Warm-up time	Color / B/W: 55 seconds* ¹ Color / B/W: 66 seconds* ² • This may vary depending on the ambient conditions. * ¹ From the power button. * ² From the main power switch.			
First-copy time	MX-7081		MX-8081	
	B/W	Color	B/W	Color
Document cover	3.1 seconds	4.2 seconds	2.9 seconds	4.0 seconds
DSPF	4.5 seconds	6.3 seconds	4.4 seconds	6.0 seconds
	This may vary depending on the state of the machine. * Portrait feeding of 8-1/2" x 11" (A4) sheets.			

Continuous copying speeds* (when shifter is not in operation)	(Unit: copies/min.)	MX-7081 Color/B/W	MX-8081 Color/B/W
13" x 19"		33/33	36/36
A3W		33/33	35/35
11" x 17"/A3		34/34	37/37
8-1/2" x 14"/8-1/2" x 13"/8-1/2" x 13-2/5"/8-1/2" x 13-1/2"/B4		39/39	42/42
8-1/2" x 11"/A4/B5		70/75	80/80
8-1/2" x 11"/R/7-1/4" x 10-1/2"/R/5-1/2" x 8-1/2"/R/A4R/B5R/A5R		45/45	48/48
SRA3		35/35	38/38
SRA4		58/58	62/62
A4W		53/53	56/56

* Continuous speed for same original source. Output may be temporarily interrupted to stabilize image quality.

Copy ratios	Same size: 1: 1 ± 0.5 % Enlarge (Inch size): 121 %, 129 %, 200 %, 400 % (AB size): 115 %, 122 %, 141 %, 200 %, 400 % Reduce (Inch size): 25 %, 50 %, 64 %, 77 % (AB size): 25 %, 50 %, 70 %, 81 %, 86 % Zoom range: 25 to 400 % in 1 % increments, total 376 increments. Can calculate zoom rate when mm is specified. (25 - 200 % using automatic document feeder)
Paper feed / capacity	1200 plus 800 plus 500 plus 500 (= 3000) sheets in 4 trays plus 100-sheet multi-bypass tray • Using 20 lbs. bond (80 g/m ²) weight paper
Max. paper feed / max. capacity	8500 sheets in 4 trays (1200 + 800 + 500 x 2) plus large capacity trays (5000) plus 500-sheet multi-bypass tray • Using 20 lbs. bond (80 g/m ²) weight paper
Continuous copy	Max. 9999 copies
Memory	Standard: 6 GB HDD: 1 TB 1 GB = One billion bytes when referring to hard drive capacity. Actual format capacity is less.
Ambient environment	Operating environment 54 °F to 91 °F (10 °C to 35 °C) (20 % to 85 % RH) 800 - 1,013 hPa Standard environment 68 °F to 77 °F (20 °C to 25 °C) (65 ± 5 % RH)
Required power supply	AC 208-240V/12A, 60Hz Power consumption Max. 2.88 kW (including options such as the desk)
Dimensions	33-9/32" (W) x 33-15/64" (D) x 49-3/16" (H) (845 mm (W) x 844 mm (D) x 1249 mm (H)) (When the operation panel and keyboard are set to the default position)
Weight	Approx. 460.8 lbs. (209kg)
Overall dimensions	49-1/32" (W) x 33-15/64" (D) (1245 mm (W) x 844 mm (D)) (With multi-bypass tray extended, and the operation panel and keyboard are set to the default position)

* The bypass specifications are for the bypass tray on the machine. The specifications for the bypass tray for large capacity trays are indicated in a separate table that follows.

Automatic Document Feeder

Document feeder types	Duplex Single Pass Feeder (DSPF)
Original paper sizes	11" x 17" to 5-1/2" x 8-1/2" (A3 to A5), business card sizes
Original paper types	Paper weight Thin paper 9 lbs bond to 13 lbs bond (35 g/m ² to 49 g/m ²) Plain paper 13 lbs bond to 40 lbs bond (50 g/m ² to 157 g/m ²) Heavy paper 40 lbs bond to 120 lbs index (158 g/m ² to 220 g/m ²) Business card 0.1 to 0.2 mm Two-sided Plain paper 13 lbs bond to 40 lbs bond (50 g/m ² to 157 g/m ²) Heavy paper 40 lbs bond to 120 lbs index (158 g/m ² to 220 g/m ²) Business card 0.1 to 0.2 mm
Paper storage capacity	300 sheets (21 lbs. (80 g/m ²)) (or maximum stack height of 1-1/2" (38 mm)) Business card: 150 sheets (or maximum stack height of 1-1/2" (38 mm))

Scan speed	Copy mode B/W: 90 one-sided sheets/minute (600 x 400 dpi) Color: 60 one-sided sheets/minute (600 x 600 dpi) • When scanning one-sided, 8-1/2" x 11" (A4) vertical documents
Scan mode (300 dpi)	B/W: 120 sheets/minute (one-sided), 240 pages/minute (two-sided), Color: 120 sheets/minute (one-sided), 240 pages/minute (two-sided), • When in standard mode using Sharp standard paper (8-1/2" x 11" (A4) size with 6% coverage) and the auto color detector is turned off. The speed varies depending on the data volume of the original.

Multi Bypass Tray

Name	Multi Bypass Tray (MX-MF11) (For large capacity trays)
Paper sizes	13" x 19" to 5-1/2" x 8-1/2"R (A3 wide to A5R), SRA3, SRA4
Useable paper	13 lbs bond to 80 lbs cover (55 to 220 g/m ²)
Paper capacity	500 sheets (20 lbs (80 g/m ²)) (or maximum stack height of 2-11/64" (55 mm))
Required power supply	Supplied from large capacity trays
Dimensions	When paper tray is closed 27-3/4" (W) x 21-57/64" (D) x 8" (H) (705 mm (W) x 556 mm (D) x 203 mm (H)) When paper tray is pulled out 34-9/16" (W) x 21-57/64" (D) x 8" (H) (878 mm (W) x 556 mm (D) x 203 mm (H))
Weight	Approx. 39.7 lbs (18 kg)

Large Capacity Tray

Name	Large Capacity Tray (MX-LC12)	Large Capacity Tray (MX-LC3 N)
Paper sizes	8-1/2" x 11", A4, B5	12" x 18" to 8-1/2" x 11"R (A3 wide to B5), SRA3, SRA4
Useable paper	16 lbs bond to 80 lbs cover (60 to 220 g/m ²)	16 lbs bond to 80 lbs cover (60 to 220 g/m ²)
Paper capacity	3500 sheets (20 lbs (80 g/m ²))	3000 sheets (20 lbs (80 g/m ²))
Required power supply	Supplied from the machine	Supplied from the machine
Dimensions	14-13/16" (W) x 22-43/64" (D) x 20-5/8" (H) (376 mm (W) x 576 mm (D) x 524 mm (H))	26-3/8" (W) x 22-7/16" (D) x 20-43/64" (H) (670 mm (W) x 570 mm (D) x 525 mm (H))
Weight	Approx. 64 lbs (29 kg)	Approx. 110 lbs (50 kg)

Large Capacity Trays

Name	Large Capacity Trays (MX-LC13 N)
Paper sizes	13" x 19" to 8-1/2" x 11" (A3 wide to B5R), SRA3, SRA4
Useable paper	13 lbs bond to 110 lbs cover (55 to 300 g/m ²)
Paper capacity	5000 sheets (2500 x 2 20 lbs (80 g/m ²))
Required power supply	AC 120V/15A, 60Hz
Dimensions	35-1/4" (W) x 30-1/32" (D) x 38-13/16" (H) (895 mm (W) x 763 mm (D) x 986 mm (H))
Weight	Approx. 288 lbs (131 kg)

Finisher / Saddle Stitch Finisher

Name	Finisher (MX-FN34) Saddle Stitch Finisher (MX-FN35)
Paper sizes	Depends on feeder specifications
Useable paper	Paper weight 13 lbs. to 110 lbs. Cover (55 g/m ² to 300 g/m ²)
No. of trays	MX-FN34: 2 (Upper tray / Lower tray) MX-FN35: 2 (Upper tray / Lower tray) + Saddle stitch tray
Tray capacity (13-20 lbs. bond (60-80g/m ²))	Upper tray Non-stapled 12" x 18", 11" x 17", 8-1/2" x 14", 8-1/2" x 13", 8-1/2" x 13-1/2", 8-1/2" x 13-2/5", 8-1/2" x 11"R, 7-1/4" x 10-1/2"R (A3 wide, A3, B4, A4R, B5R, SRA3, SRA4, A4 wide, 8K, 16KR): 125 sheets 8-1/2" x 11", 5-1/2" x 8-1/2", 5-1/2" x 8-1/2"R (A4, B5, A5R, 16K): 250 sheets Lower tray Non-stapled 12" x 18", 11" x 17", 8-1/2" x 14", 8-1/2" x 13", 8-1/2" x 13-1/2", 8-1/2" x 13-2/5", 8-1/2" x 11"R, 7-1/4" x 10-1/2"R, 5-1/2" x 8-1/2", 5-1/2" x 8-1/2"R, 7-1/4" x 10-1/2"R (A3 wide, A3, B4, A4R, B5R, A5R, SRA3, SRA4, A4 wide, 8K): 1500 sheets 8-1/2" x 11" (A4, B5): 3000 sheets Staple function 11" x 17", 8-1/2" x 14", 8-1/2" x 13", 8-1/2" x 13-1/2", 8-1/2" x 13-2/5", 8-1/2" x 11"R (A3, B4, A4R): 100 units or 1500 sheets 8-1/2" x 11" (A4, B5, 16K): 200 units or 3000 sheets Stapleless staple 11" x 17" (A3, 8K): 100 units 8-1/2" x 11" (A4, 16K): 200 units Saddle stitch tray (MX-FN35) 1 to 5 sheets: 25 units 6 to 10 sheets: 15 units 11 to 20 sheets: 10 units
Max. no. of stapled sheets	Staple function Max. no. of 65 sheets (8-1/2" x 11" (A4, B5, 16K)) Max. no. of 2 sheets (110 lbs. Cover (300 g/m ²)) + 63 sheets (24 lbs. (90 g/m ²)) Max. no. of 30 sheets (11" x 17", 8-1/2" x 14", 8-1/2" x 13", 8-1/2" x 13-1/2", 8-1/2" x 13-2/5", 8-1/2" x 11"R (A3, B4, A4R, 8K)) Stapleless staple Max. no. of 5 sheets (17 lbs. (64 g/m ²) or less) (11" x 17", 8-1/2" x 11" (A3, A4, 8K, 16K))
Staple position	1 bottom (slant), 1 top (slant), 2 middle
Manual staple	Staple position: 1 top Max. no. of stapled sheets: 23/64" (9 mm) or less
Saddle Stitch (MX-FN35)	Staple method Centered fold with stapling in 2 center places Saddle stitch fold position Centered fold Saddle usable sizes 12" x 18", 11" x 17", 8-1/2" x 14", 8-1/2" x 11"R, 8-1/2" x 13-1/2", 8-1/2" x 13-2/5", 8-1/2" x 13", 8-1/2" x 11"R (A3W, A3, B4, A4R, 8K, 16KR) Saddle usable paper weight 13 lbs. to 140 lbs. Cover (55 g/m ² to 256 g/m ²) Paper weighting 28 lbs. to 140 lbs. Cover (106 g/m ² to 256 g/m ²) is only able to be used in cover mode and for single sheet fold. Max. no. of saddle-stitched sheets Max. no. of 20 sheets (20 lbs. (80g/m ²)) 19 sheets (20 lbs. (80g/m ²)) + 1 sheet (110 lbs. Index (209 g/m ²))
Required power supply	Supplied from main machine
Weight	MX-FN34: Approx. 72.8 lbs. (33 kg) MX-FN35: Approx. 125.7 lbs. (57 kg)
Dimensions	When output paper tray is stored 20-63/64" (W) x 25-23/32" (D) x 43-7/16" (H) (533 mm (W) x 653 mm (D) x 1103 mm (H)) When output paper tray is extended 25" (W) x 25-23/32" (D) x 45-61/64" (H) (635 mm (W) x 653 mm (D) x 1167 mm (H))

Finisher (Large stacker) / Saddle Stitch Finisher (Large stacker)

Name	Finisher (MX-FN21) Saddle Stitch Finisher (MX-FN22)
Paper sizes	Depends on feeder specifications
Useable paper	Paper weight 13 lbs. to 110 lbs. Cover (55 g/m ² to 300 g/m ²)
No. of trays	MX-FN21: 3 (Upper tray / Middle tray / Lower tray) MX-FN22: 4 (Upper tray / Middle tray / Lower tray) + Saddle stitch tray
Tray capacity (20 lbs. bond (80g/m ²))*	Upper tray Non-stapled 13" x 19", 12" x 18", 9" x 12", 11" x 17", 8-1/2" x 14", 8-1/2" x 11"R, 7-1/4" x 10-1/2"R (SRA3, SRA4, A3 wide, A4 wide, A3, B4, A4R, B5R): 750 sheets 8-1/2" x 11", 5-1/2" x 8-1/2"R (A4, B5, A5R): 1500 sheets Staple function 11" x 17", 8-1/2" x 14", 8-1/2" x 11"R (A3 wide, A3, B4, A4R, B5R): 50 units or 750 sheets 8-1/2" x 11" (A4, B5): 100 units or 1500 sheets Middle tray Non-stapled 13" x 19", 12" x 18", 9" x 12", 11" x 17", 8-1/2" x 14", 8-1/2" x 11"R, 7-1/4" x 10-1/2"R (SRA3, SRA4, A3 wide, A4 wide, A3, B4, A4R, B5R): 125 sheets 8-1/2" x 11", 5-1/2" x 8-1/2"R (A4, B5, A5R): 250 sheets (Offset output is not available) Lower tray Non-stapled 13" x 19", 12" x 18", 9" x 12", 11" x 17", 8-1/2" x 14", 8-1/2" x 11"R, 7-1/4" x 10-1/2"R (SRA3, SRA4, A3 wide, A4 wide, A3, B4, A4R, B5R): 750 sheets 8-1/2" x 11", 5-1/2" x 8-1/2"R (A4, B5, A5R): 2500 sheets (Offset output: 1500 sheets) (For A3 wide, B5R, A5R, offset output is not available.) Staple function 11" x 17", 8-1/2" x 14", 8-1/2" x 11"R (A3 wide, B4, A3, A4R, B5R): 50 units or 750 sheets 8-1/2" x 11" (A4, B5): 100 units or 1500 sheets Saddle stitch tray (MX-FN22) Non-stapled 16 lbs bond to 28 lbs bond (60 to 105 g/m ²): 5 sheets Staple function 16 lbs bond to 21 lbs bond (60 to 81.4 g/m ²): 5 units (16 to 20 sheets), 10 units (11 to 15 sheets), 15 units (6 to 10 sheets), 25 units (1 to 5 sheets) 21 lbs bond over to 28 lbs bond (81.4 g/m ² over to 105 g/m ²): 15 units (6 to 10 sheets), 25 units (1 to 5 sheets) Staple function in cover mode 16 lbs bond to 21 lbs bond (60 to 81.4 g/m ²): 5 units (16 to 20 sheets), 10 units (11 to 15 sheets) 21 lbs bond over to 28 lbs bond (81.4 g/m ² over to 105 g/m ²): 10 units (1 to 10 sheets) * Offset output is not available for 13" x 19", 12" x 18" / 7-1/4" x 10-1/2"R, 5-1/2" x 8-1/2"R (A3 wide, B5R, A5R).
Max. no. of stapled sheets (20 lbs. bond (80g/m ²))	Max. no. of 100 sheets (8-1/2" x 11" (A4, B5)) Max. no. of 50 sheets (11" x 17", 8-1/2" x 14", 8-1/2" x 11"R (A3, B4, A4R))
Staple position	Front: 1 position (slant), Back: 1 position (slant), Center: 2 positions

* Output capacity may vary depending on environmental conditions at the installation location, the type of paper used, and the storage condition of the paper.

Saddle Stitch (MX-FN22)	Staple method (for saddle stitch) Centered fold with stapling in 2 center places
	Saddle stitch fold position Centered fold
	Saddle usable sizes 13" x 19", 12" x 18", 11" x 17", 8-1/2 x 14", 8-1/2" x 11"R (SRA3, A3 wide, A3, B4, A4R)
	Saddle usable paper weight 16 lbs bond (60 g/m ²) to 110 lbs cover (300 g/m ²) Paper weighting 28 lbs bond (106 g/m ²) to 110 lbs cover (300 g/m ²) is only able to be used in cover mode and for single sheet fold.
	Max. no. of saddle-stitched sheets Max. no. of 20 sheets (20 lbs (80 g/m ²)): 19 sheets (20 lbs bond (80 g/m ²)) + 1 sheet (110 lbs cover (300 g/m ²))
Required power supply	AC 120V/2.9A ,60Hz
Weight	MX-FN21: Approx. 134.5 lbs (61 kg) MX-FN22: Approx. 238.1 lbs (108 kg)
Dimensions	MX-FN21: When output paper tray is stored 25-3/4" (W) x 30-1/8" (D) x 40-15/16" (H) (654 mm (W) x 765 mm (D) x 1040 mm (H)) When output paper tray is extended 30-51/64" (W) x 30-1/8" (D) x 40-15/16" (H) (782 mm (W) x 765 mm (D) x 1040 mm (H)) MX-FN22: When output paper tray is stored 30-13/64" (W) x 30-1/8" (D) x 40-15/16" (H) (767 mm (W) x 765 mm (D) x 1040 mm (H)) When output paper tray is extended 35-9/32" (W) x 30-1/8" (D) x 40-15/16" (H) (896 mm (W) x 765 mm (D) x 1040 mm (H))

* Output capacity may vary depending on environmental conditions at the installation location, the type of paper used, and the storage condition of the paper.

Punch Module

Name	Punch module for MX-FN34/35 MX-PN16B	Punch module for MX-FN21/22 MX-PN13B
Paper size for punch module	11" x 17" to 7-1/4" x 10-1/2"R (A3 to B5R)	
Holes	2/3 holes (Auto select)	
Required power supply	Supplied from finisher/saddle stitch finisher	
Dimensions	- (Built into the Finisher and Saddle Stitch Finisher)	
Weight	Approx. 5.6 lbs. (2.5 kg)	Approx. 8.6 lbs. (3.7 kg)

Paper Pass Unit

Name	Paper Pass Unit (MX-RB12 N)	Paper Pass Unit (MX-RB14)
Dimensions	21-5/8" (W) x 20-9/16" (D) x 5-61/64" (H) (549 mm (W) x 522 mm (D) x 151 mm (H))	18" (W) x 29-59/64" (D) x 41-27/64" (H) (457 mm (W) x 760 mm (D) x 1052 mm (H))
Weight	Approx. 13.7 lbs (6.2 kg)	Approx. 61.8 lbs (28 kg)

Relay Unit

Name	Relay Unit (MX-RB13)
Dimensions	8-7/16" (W) x 29-59/64" (D) x 38-13/16" (H) (214 mm (W) x 760 mm (D) x 986 mm (H))
Weight	Approx. 33.1 lbs (15 kg)

Curl Correction Unit

Name	Curl Correction Unit (MX-RB27)
Paper sizes	Depends on feeder specifications
Useable paper	Depends on feeder specifications
Required power supply	Supplied from the machine
Dimensions	8-7/16" (W) x 30" (D) x 38-13/16" (H) (214 mm (W) x 762 mm (D) x 986 mm (H))
Weight	Approx. 41.9 lbs (19 kg)

Trimming Module

Name	Trimming module (MX-TM10)
Useable size for trimming module	13" x 19", 12" x 18" (A3 wide), 11" x 17", 8-1/2" x 14", 8-1/2" x 13-1/2", 8-1/2" x 13-2/5", 8-1/2" x 13", 8-1/2" x 11"R, SRA3, A3, B4, A4R
Max. no. of sheets to be trimmed	1 to 20 sheets (16 lbs bond to 21 lbs bond (60 g/m ² to 81.4 g/m ²)) 1 to 10 sheets (21 lbs bond over to 28 lbs bond (81.4 g/m ² over to 105 g/m ²)) 1 to 3 sheets (28 lbs bond over to 80 lbs cover (105 g/m ² over to 220 g/m ²)) When plain paper trimmed. Including one front cover of 110 lbs cover (300 g/m ²) or less.
Required power supply	Supplied from saddle stitch finisher
Dimensions	9-7/8" (W) x 24-15/32" (D) x 15-7/8" (H) (251 mm (W) x 625 mm (D) x 403 mm (H))
Weight	Approx. 70.6 lbs (32 kg)

Folding Unit

Name	Folding unit (MX-FD10)
Folding types	Z-Fold, C-Fold, Accordion Fold, Double Fold, Half Fold.
Useable size for folding unit	Z-Fold: 11" x 17", 8-1/2" x 14", 8-1/2" x 11"R, A3, B4, A4R C-Fold, Accordion Fold, Double Fold, Half Fold: 8-1/2" x 11"R, A4R
Useable paper	13 lbs bond to 28 lbs bond (55 g/m ² to 105 g/m ²)
Tray capacity (20 lbs (80 g/m ²))*	C-Fold/Accordion Fold/Double Fold 2-23/64" (60 mm) (Equivalent to 40 sheets. (Equivalent to 25 sheets for Double Fold)) Copies made in Z-Fold or Half Fold are output to the tray of the finisher (100-sheet stapling) or saddle stitch finisher (100-sheet stapling).
Required power supply	Supplied from finisher/saddle stitch finisher
Dimensions	13-15/64" (W) x 31-15/64" (D) x 41-11/32" (H) (336 mm (W) x 793 mm (D) x 1050 mm (H))
Weight	Approx. 145.5 lbs (66 kg)

Inserter

Name	Inserter (MX-CF11)
Useable size for inserter	13" x 19", 12" x 18", 9" x 12", 11" x 17", 8-1/2" x 14", 8-1/2" x 13-1/2", 8-1/2" x 13-2/5", 8-1/2" x 13", 8-1/2" x 11", 8-1/2" x 11"R, 7-1/4" x 10-1/2"R, 5-1/2" x 8-1/2"R, A3 wide, A4 wide, A3, B4, A4, A4R, B5, B5R, A5R, SRA3, SRA4
Useable paper	16 lbs bond to 80 lbs cover (60 g/m ² to 220 g/m ²)
No. of trays	2
Tray capacity (20 lbs (80 g/m ²))	Upper tray: 200 sheets Lower tray: 200 sheets
Required power supply	Supplied from the machine
Dimensions	21-1/4" (W) x 29-7/8" (D) x 50-1/4" (H) (540 mm (W) x 760 mm (D) x 1276 mm (H))
Weight	Approx. 99.2 lbs (45 kg)

Network Printer Specifications

Type	Built-in type
Continuous print speed	Same as continuous copy speed
Resolution	Data processing: 600 × 600 dpi, 1200 × 1200 dpi Print: 600 × 600 dpi, 1200 × 1200 dpi, equivalent to 9600 dpi × 600 dpi
Page description language	PCL6 emulation, Adobe® PostScript®3™
Compatible protocols	TCP/IP (LPD, Port9100, IPP, SMB, FTP, WSD, POP3<E-mail print>, HTTP)
Compatible OS	Windows 8.1, Windows Server 2012, Windows 10, Windows Server 2016, Windows Server 2019 macOS (10.9, 10.10, 10.11, 10.12, 10.13, 10.14, 10.15)
Internal fonts	80 fonts for PCL, 139 fonts for Adobe® PostScript®3™
Memory	Machine system memory and local drive
Interface	10BASE-T/100BASE-TX/1000BASE-T USB 2.0 (Host, Hi speed mode) IEEE802.11b/g/n

Fax Specifications

Name	Facsimile expansion kit (MX-FX15)
Useable lines	General phone lines (PSTN), private branch exchange (PBX)
Resolution	Standard: 8 dot/mm x 3.85 line/mm Fine: 8 dot/mm x 7.7 line/mm Super Fine: 8 dot/mm x 15.4 line/mm Ultra Fine: 16 dot/mm x 15.4 line/mm
Connection speed	Super G3: 33.6 kbps, G3: 14.4 kbps
Coding method	MH, MR, MMR, JBIG
Connection mode	Super G3 / G3
Original paper sizes for transmission	11" × 17" to 5-1/2" × 8-1/2" (A3 to A5) (Paper with a max. length of 1000 mm can be transmitted (one-sided / B/W only).)
Registered paper size	5-1/2" × 8-1/2"R, 8-1/2" × 11", 8-1/2" × 11"R, A4, A4R, 8-1/2" × 13", 8-1/2" × 13-2/5", 8-1/2" × 14", and 11" × 17"
Transmission time	Approx. 2 seconds *1 (8-1/2" × 11" (A4) Sharp standard paper, normal characters, Super G3 (JBIG)) Approx. 6 seconds (G3 ECM)
Memory	1 GB
Notes	Address Max. of 2000 entries (Including group dialing for fax, scanner, and Internet fax) Entries per group Max. of 500 entries Mass transmissions Max. of 500 recipients

* Complies with the 33.6 kbps transmission method for Super G3 facsimiles standardized by the International Telecommunications Union (ITU-T). This is the speed for when sending an 8-1/2" × 11" (A4) size piece of paper of around 700 characters at standard image quality (8 × 3.85 chars/mm) in Hi-speed mode (33.6 kbps). This is the transmission speed for image information only and does not include time for transmission control. The actual time needed for a transmission depends on the content of the text, type of receiving fax machine, and telephone line conditions.

Network Scanner Specifications

Type	Color scanner
Scan resolution (main × vertical)	100 × 100 dpi, 150 × 150 dpi, 200 × 200 dpi, 300 × 300 dpi, 400 × 400 dpi, 600 × 600 dpi (push scan) 50 to 9600 dpi (pull scan)
Scan speed (8-1/2" × 11" (A4))	120 sheets/minute (200 × 200 dpi/300 × 300 dpi) (one-sided), 240 pages/minute (200 × 200 dpi/300 × 300 dpi) (two-sided) • When in standard mode using Sharp standard paper (8-1/2" × 11" (A4) size with 6% coverage) and the auto color detector is turned off. The speed varies depending on the data volume of the original.
Interface	10BASE-T/100BASE-TX/1000BASE-T, USB 2.0 (when an external memory device is used) IEEE802.11b/g/n
Compatible protocols	TCP/IP
Compatible OS (Pull scan (TWAIN)*2)	Windows 8.1, Windows Server 2012, Windows 10, Windows Server 2016, Windows Server 2019
Output format	(B/W) TIFF, PDF, PDF/A-1a, PDF/A-1b, PDF/A, encrypted PDF, XPS*3, Seachable PDF, Office file (pptx, xlsx, docx), TXT (UTF-8), RTF Compression method: decompression, G3 (MH), G4 (MMR) (Gray scale/color) TIFF, JPEG, PDF, PDF/A-1a, PDF/A-1b, PDF/A, encrypted PDF, Encrypt/Compact PDF, Encrypt/Compact PDF (Ultra Fine), high compression PDF, Compact PDF (Ultra Fine), Compact PDF/A-1a, Compact PDF/A-1b, Compact PDF/A, Compact PDF/A-1a (Ultra Fine), Compact PDF/A-1b (Ultra Fine), Compact PDF/A (Ultra Fine), XPS*3, Seachable PDF, Office file (pptx, xlsx, docx), TXT (UTF-8), RTF Compression method: JPEG (high, mid, and low compression), high compression PDF, Bk Letter Emphasis*4
Driver	TWAIN compliant

*1: You must decrease the scan size when increasing the resolution.

*2: There are cases when a connection cannot be established. Please contact your local dealer for more information.

*3: XPS stands for XML Paper Specification.

*4: When PDF, PDF/A, PDF/A-1a/1b, or encrypt PDF is selected.

Wireless LAN Specifications

Type	Standard (Built-in type)
Compliance standards	IEEE802.11b/g/n
Transmission method	OFDM (IEEE 802.11n/g), DS-SS (IEEE 802.11b)
Frequency range	2412 MHz to 2462 MHz
Channel number	ch1 - ch11
Transmission speed (value of standard) *1	IEEE802.11n max. 150 Mbps IEEE802.11g max. 54 Mbps IEEE802.11b max. 11 Mbps
Compatible protocols	TCP/IP (IPv4)
Wireless Transmit Power	20 dBm or less (EIRP)
Security	WEP, WPA/WPA2-mixed PSK, WPA/WPA2-mixed EAP*2, WPA2 PSK, WPA2 EAP*2

*1: The indicated values are maximum theoretical values for the Wireless LAN Standard. The values do not indicate actual data transmission speeds.

*2: Cannot be used in Access Point mode.

TRADEMARK ACKNOWLEDGEMENTS

The following trademarks and registered trademarks are used in conjunction with the machine and its peripheral devices and accessories.

- Microsoft®, Windows®, Windows® 8.1, Windows Server® 2012, Windows® 10, Windows Server® 2016, Windows Server 2019, Internet Explorer®, Active Directory, Excel, Office 365, SharePoint and OneDrive are registered trademarks or trademarks of Microsoft Corporation in the U.S.A. and other countries.
- Intel® is a trademark of Intel Corporation in the U.S. and/or other countries.
- PostScript and PostScript3 are registered trademarks of Adobe.
- Adobe, the Adobe logo, Acrobat, the Adobe PDF logo, and Reader are registered trademarks or trademarks of Adobe in the United States and other countries.
- Apple, macOS, AppleTalk and EtherTalk are trademarks of Apple Inc., registered in the U.S. and other countries.
- Mozilla® and Firefox® are registered trademarks or trademarks of the Mozilla Foundation in the U.S.A. and other countries.
- RealVNC is a trademark of RealVNC Limited.
- Qualcomm® DirectOffice™ is a product of Qualcomm Technologies, Inc. and/or its subsidiaries.
- Qualcomm® is a trademark of Qualcomm Incorporated, registered in the United States and other countries.
- DirectOffice™ is a trademark of CSR Imaging US, LP, registered in the United States and other countries.
- Google Cloud Print and Gmail are trademarks of Google LLC.
- Google Drive is a trademark of Google LLC. Use of this trademark requires a license from Google.
- All other trademarks and copyrights are the property of their respective owners.

The built-in fonts of this printer use MicroType® font compression technology of Monotype Imaging, and also use the scalable font rendering subsystem of UFST® (Universal Font Scaling Technology) of Monotype Imaging.

MicroType® and UFST® are trademarks of Monotype Imaging, Inc. registered in the United States Patent and Trademark Office and may be registered in certain jurisdictions.

Candid, Gold, and Taffy are trademarks of Monotype Imaging, Inc. registered in the United States Patent and Trademark Office and may be registered in certain jurisdictions.

CG Omega, CG Times, Garamond Antiqua, Garamond Halbfett, Garamond Kursiv, Garamond and Halbfett Kursiv are trademarks of Monotype Imaging, Inc. and may be registered in certain jurisdictions.

Albertus, Arial, Ashley Script, Coronet, Gill Sans, Joanna and Times New Roman are trademarks of The Monotype Corporation registered in the United States Patent and Trademark Office and may be registered in certain jurisdictions.

Avant Garde, ITC Bookman, Lubalin Graph, Mona Lisa, Zapf Chancery and Zapf Dingbats are trademarks of International Typeface Corporation registered in the United States Patent and Trademark Office and may be registered in certain jurisdictions.

Clarendon, Eurostile, Helvetica, Optima, Palatino, Stempel Garamond, Times and Univers are trademarks of Heidelberger Druckmaschinen AG, which may be registered in certain jurisdictions, exclusively licensed through Linotype Library GmbH, a wholly owned subsidiary of Heidelberger Druckmaschinen AG.

Apple Chancery, Chicago, Geneva, Monaco and New York are trademarks of Apple Inc. and may be registered in certain jurisdictions.

Wingdings is a registered trademark of Microsoft Corporation in the United States and other countries.

Marigold and Oxford are trademarks of Arthur Baker and may be registered in some jurisdictions.

Antique Olive is a trademark of Marcel Olive and may be registered in certain jurisdictions.

Hoefler Text is a trademark of Johnathan Hoefler and may be registered in some jurisdictions.

HGGothicB, HGMInchoL, HGP GothicB and HGPMInchoL are trademarks of Ricoh Company, Ltd. and may be registered in some jurisdictions. ITC is a trademark of International Typeface Corporation registered in the United States Patent and Trademark Office and may be registered in certain jurisdictions.

Agfa is a trademark of the Agfa-Gevaert Group and may be registered in certain jurisdictions.

Intellifont, MicroType and UFST are trademarks of Monotype Imaging, Inc. registered in the United States Patent and Trademark Office and may be registered in certain jurisdictions.

TrueType is trademark of Apple Inc. registered in the United States Patent and Trademark Office and other countries.

PostScript is a trademark of Adobe and may be registered in some jurisdictions.

HP, PCL, FontSmart and LaserJet are trademarks of Hewlett-Packard Company and may be registered in some jurisdictions.

The Type 1 processor resident in Monotype Imaging's UFST product is under license from Electronics For Imaging, Inc. All other trademarks are the property of their respective owners.

Please note

- For information on your operating system, please refer to your operating system manual or the online Help function.
- The explanations of screens and procedures in a Windows environment are primarily for Windows® 10. The screens may vary depending on the version of the operating system or the software application.
- The explanations of screens and procedures in a macOS environment are based on macOS 10.12 in the case of macOS. The screens may vary depending on the version of the operating system or the software application.
- Wherever "MX-xxxx" appears in this manual, please substitute your model name for "xxxx".
- Considerable care has been taken in preparing this manual. If you have any comments or concerns about the manual, please contact your dealer or nearest SHARP Service Department.
- This product has undergone strict quality control and inspection procedures. In the unlikely event that a defect or other problem is discovered, please contact your dealer or nearest SHARP Service Department.
- Aside from instances provided for by law, SHARP is not responsible for failures occurring during the use of the product or its options, or failures due to incorrect operation of the product and its options, or other failures, or for any damage that occurs due to use of the product.

Warning

- Reproduction, adaptation or translation of the contents of the manual without prior written permission is prohibited, except as allowed under copyright laws.
- All information in this manual is subject to change without notice.

Illustrations and the operation panel and touch panel shown in this manual

The peripheral devices are generally optional, however, some models include certain peripheral devices as standard equipment.

The explanations in this manual assume that a multi bypass tray, large capacity tray, saddle stitch finisher, punch module, paper pass unit and curl correction unit is installed on the MX-8081.

For some functions and procedures, the explanations assume that devices other than the above are installed.

The display screens, messages, and key names shown in the manual may differ from those on the actual machine due to product improvements and modifications.

SHARP®

SHARP ELECTRONICS CORPORATION

100 Paragon Drive, Montvale, New Jersey 07645-1779

www.sharpusa.com

SHARP ELECTRONICS OF CANADA LTD.

335 Britannia Road East, Mississauga, Ontario, L4Z 1W9

SHARP CORPORATION

